



FS-3040MFP+

FS-3140MFP+

SERVICE MANUAL

Published in April 2011
842MG110
2MGSM060
First Edition

CAUTION

RISK OF EXPLOSION IF BATTERY IS REPLACED BY AN INCORRECT TYPE. DISPOSE OF USED BATTERIES ACCORDING TO THE INSTRUCTIONS.

It may be illegal to dispose of this battery into the municipal waste stream. Check with your local solid waste officials for details in your area for proper disposal.

ATTENTION

IL Y A UN RISQUE D'EXPLOSION SI LA BATTERIE EST REMPLACÉE PAR UN MODÈLE DE TYPE INCORRECT. METTRE AU REBUT LES BATTERIES UTILISÉES SELON LES INSTRUCTIONS DONNÉES.

Il peut être illégal de jeter les batteries dans des eaux d'égout municipales. Vérifiez avec les fonctionnaires municipaux de votre région pour les détails concernant des déchets solides et une mise au rebut appropriée.

Revision history

Revision	Date	Replaced pages	Remarks

This page is intentionally left blank.

Safety precautions

This booklet provides safety warnings and precautions for our service personnel to ensure the safety of their customers, their machines as well as themselves during maintenance activities. Service personnel are advised to read this booklet carefully to familiarize themselves with the warnings and precautions described here before engaging in maintenance activities.

Safety warnings and precautions

Various symbols are used to protect our service personnel and customers from physical danger and to prevent damage to their property. These symbols are described below:

⚠ DANGER: High risk of serious bodily injury or death may result from insufficient attention to or incorrect compliance with warning messages using this symbol.

⚠ WARNING: Serious bodily injury or death may result from insufficient attention to or incorrect compliance with warning messages using this symbol.

⚠ CAUTION: Bodily injury or damage to property may result from insufficient attention to or incorrect compliance with warning messages using this symbol.

Symbols

The triangle (\triangle) symbol indicates a warning including danger and caution. The specific point of attention is shown inside the symbol.



General warning.



Warning of risk of electric shock.



Warning of high temperature.

⊘ indicates a prohibited action. The specific prohibition is shown inside the symbol.



General prohibited action.



Disassembly prohibited.

● indicates that action is required. The specific action required is shown inside the symbol.



General action required.





Remove the power plug from the wall outlet.











Always ground the copier.

1. Installation Precautions

WARNING











- Do not use a power supply with a voltage other than that specified. Avoid multiple connections to one outlet: they may cause fire or electric shock. When using an extension cable, always check that it is adequate for the rated current. 
- Connect the ground wire to a suitable grounding point. Not grounding the copier may cause fire or electric shock. Connecting the earth wire to an object not approved for the purpose may cause explosion or electric shock. Never connect the ground cable to any of the following: gas pipes, lightning rods, ground cables for telephone lines and water pipes or faucets not approved by the proper authorities. 

CAUTION:





- Do not place the copier on an infirm or angled surface: the copier may tip over, causing injury. 
- Do not install the copier in a humid or dusty place. This may cause fire or electric shock. 
- Do not install the copier near a radiator, heater, other heat source or near flammable material. This may cause fire. 
- Allow sufficient space around the copier to allow the ventilation grills to keep the machine as cool as possible. Insufficient ventilation may cause heat buildup and poor copying performance. 
- Always handle the machine by the correct locations when moving it. 
- Always use anti-toppling and locking devices on copiers so equipped. Failure to do this may cause the copier to move unexpectedly or topple, leading to injury. 
- Avoid inhaling toner or developer excessively. Protect the eyes. If toner or developer is accidentally ingested, drink a lot of water to dilute it in the stomach and obtain medical attention immediately. If it gets into the eyes, rinse immediately with copious amounts of water and obtain medical attention. 
- Advise customers that they must always follow the safety warnings and precautions in the copier's instruction handbook. 












2. Precautions for Maintenance

WARNING

- Always remove the power plug from the wall outlet before starting machine disassembly. 
- Always follow the procedures for maintenance described in the service manual and other related brochures. 
- Under no circumstances attempt to bypass or disable safety features including safety mechanisms and protective circuits. 
- Always use parts having the correct specifications. 
- Always use the thermostat or thermal fuse specified in the service manual or other related brochure when replacing them. Using a piece of wire, for example, could lead to fire or other serious accident. 
- When the service manual or other serious brochure specifies a distance or gap for installation of a part, always use the correct scale and measure carefully. 
- Always check that the copier is correctly connected to an outlet with a ground connection. 
- Check that the power cable covering is free of damage. Check that the power plug is dust-free. If it is dirty, clean it to remove the risk of fire or electric shock. 
- Never attempt to disassemble the optical unit in machines using lasers. Leaking laser light may damage eyesight. 
- Handle the charger sections with care. They are charged to high potentials and may cause electric shock if handled improperly. 



CAUTION

- Wear safe clothing. If wearing loose clothing or accessories such as ties, make sure they are safely secured so they will not be caught in rotating sections. 
- Use utmost caution when working on a powered machine. Keep away from chains and belts. 
- Handle the fixing section with care to avoid burns as it can be extremely hot. 
- Check that the fixing unit thermistor, heat and press rollers are clean. Dirt on them can cause abnormally high temperatures. 

- Do not remove the ozone filter, if any, from the copier except for routine replacement. 
- Do not pull on the AC power cord or connector wires on high-voltage components when removing them; always hold the plug itself. 
- Do not route the power cable where it may be stood on or trapped. If necessary, protect it with a cable cover or other appropriate item. 
- Treat the ends of the wire carefully when installing a new charger wire to avoid electric leaks. 
- Remove toner completely from electronic components. 
- Run wire harnesses carefully so that wires will not be trapped or damaged. 
- After maintenance, always check that all the parts, screws, connectors and wires that were removed, have been refitted correctly. Special attention should be paid to any forgotten connector, trapped wire and missing screws. 
- Check that all the caution labels that should be present on the machine according to the instruction handbook are clean and not peeling. Replace with new ones if necessary. 
- Handle greases and solvents with care by following the instructions below: 
 - Use only a small amount of solvent at a time, being careful not to spill. Wipe spills off completely.
 - Ventilate the room well while using grease or solvents.
 - Allow applied solvents to evaporate completely before refitting the covers or turning the power switch on.
 - Always wash hands afterwards.
- Never dispose of toner or toner bottles in fire. Toner may cause sparks when exposed directly to fire in a furnace, etc. 
- Should smoke be seen coming from the copier, remove the power plug from the wall outlet immediately. 

3. Miscellaneous

WARNING

- Never attempt to heat the drum or expose it to any organic solvents such as alcohol, other than the specified refiner; it may generate toxic gas. 
- Keep the machine away from flammable liquids, gases, and aerosols. A fire or an electric shock might occur. 

This page is intentionally left blank.

CONTENTS

1-1 Specifications

1-1-1 Specifications	1-1-1
1-1-2 Parts names	1-1-5
(1) Overall	1-1-5
(2) Operation panel	1-1-6
1-1-3 Machine cross section	1-1-7

1-2 Installation

1-2-1 Installation environment	1-2-1
1-2-2 Unpacking	1-2-2
(1) Unpacking	1-2-2
(2) Removing the tapes	1-2-3
1-2-3 Installing the expansion memory (option)	1-2-6

1-3 Maintenance Mode

1-3-1 Maintenance mode	1-3-1
(1) Executing a maintenance item	1-3-1
(2) Maintenance modes item list	1-3-2
(3) Contents of the maintenance mode items	1-3-5
1-3-2 Service mode	1-3-52
(1) Executing a service mode	1-3-52
(2) Description of service mode	1-3-53

1-4 Troubleshooting

1-4-1 Paper misfeed detection	1-4-1
(1) Paper misfeed indication	1-4-1
(2) Paper misfeed detection condition	1-4-2
1-4-2 Self-diagnostic function	1-4-5
(1) Self-diagnostic function	1-4-5
(2) Self diagnostic codes	1-4-6
1-4-3 Image formation problems	1-4-15
(1) Completely blank printout	1-4-16
(2) All-black printout	1-4-17
(3) Dropouts	1-4-18
(4) Black dots	1-4-18
(5) Black horizontal streaks	1-4-18
(6) Black vertical streaks	1-4-19
(7) Unsharpness	1-4-19
(8) Gray background	1-4-19
(9) Dirt on the top edge or back of the paper	1-4-20
(10) Undulated printing at the right edge (scanning start position)	1-4-20
1-4-4 Electric problems	1-4-21
1-4-5 Mechanical problems	1-4-27
1-4-6 Send error code	1-4-29
(1) Scan to SMB error codes	1-4-29
(2) Scan to FTP error codes	1-4-30
(3) Scan to E-mail error codes	1-4-31

1-4-7	Error codes	1-4-32
	(1) Error code	1-4-32
	(2) Table of general classification	1-4-33
	(2-1) U004XX error code table: Interrupted phase B	1-4-35
	(2-2) U006XX error code table: Problems with the unit	1-4-35
	(2-3) U008XX error code table: Page transmission error.....	1-4-35
	(2-4) U009XX error code table: Page reception error	1-4-35
	(2-5) U010XX error code table: G3 transmission.....	1-4-36
	(2-6) U011XX error code table: G3 reception	1-4-37
	(2-7) U017XX error code table: V.34 transmission	1-4-38
	(2-8) U018XX error code table: V.34 reception.....	1-4-38
	(2-9) U044XX error code table: Encrypted transmission	1-4-38
1-5	Assembly and disassembly	
1-5-1	Precautions for assembly and disassembly.....	1-5-1
	(1) Precautions.....	1-5-1
	(2) Drum.....	1-5-1
	(3) Toner	1-5-1
	(4) How to tell a genuine Kyocera Mita toner container	1-5-2
1-5-2	Outer covers	1-5-3
	(1) Detaching and refitting the right cover and left cover	1-5-3
1-5-3	Paper feed section.....	1-5-6
	(1) Detaching and refitting the paper feed assembly (paper feed roller and pickup roller)	1-5-6
	(2) Detaching and refitting the retard roller assembly	1-5-7
	(3) Detaching and refitting the upper registration and lower roller	1-5-8
	(4) Detaching and refitting the MP paper feed roller	1-5-10
1-5-4	Optical section	1-5-11
	(1) Detaching and refitting the Document processor	1-5-11
	(2) Detaching and refitting the scanner unit	1-5-13
	(3) Detaching and refitting the laser scanner unit	1-5-16
	(4) Replacing the image scanner unit (ISU).....	1-5-19
1-5-5	Developing section	1-5-25
	(1) Detaching and refitting the developing unit	1-5-25
1-5-6	Drum section	1-5-26
	(1) Detaching and refitting the drum unit.....	1-5-26
	(2) Detaching and refitting the main charger unit.....	1-5-26
1-5-7	Transfer/separation section	1-5-27
	(1) Detaching and refitting the transfer roller and separation brush unit.....	1-5-27
1-5-8	Fuser section	1-5-29
	(1) Detaching and refitting the fuser unit.....	1-5-29
1-5-9	PWBs.....	1-5-30
	(1) Detaching and refitting the engine PWB.....	1-5-30
	(2) Detaching and refitting the main PWB.....	1-5-34
	(3) Detaching and refitting the power source PWB.....	1-5-37
	(4) Detaching and refitting the FAX control PWB.....	1-5-42
1-5-10	Others	1-5-43
	(1) Detaching and refitting the paper feed drive unit.....	1-5-43
	(2) Detaching and refitting the main drive unit	1-5-45
	(3) Direction of installing the principal fan motors	1-5-46

1-5-11	Document processor	1-5-47
	(1) Detaching and refitting the DP rear cover and DP front cover	1-5-47
	(2) Detaching and refitting the DP drive PWB.....	1-5-48
	(3) Detaching and refitting the DP forwarding pulley assembly and DP separation pad assembly.1-5-49	
1-6 Requirements on PWB Replacement		
1-6-1	Upgrading the firmware	1-6-1
1-6-2	Remarks on engine PWB replacement	1-6-2
2-1 Mechanical Construction		
2-1-1	Paper feed/conveying section	2-1-1
	(1) Cassette paper feed section	2-1-1
	(2) MP tray paper feed section.....	2-1-3
	(3) Paper conveying section	2-1-4
2-1-2	Drum section	2-1-5
2-1-3	Optical section	2-1-6
	(1) Scanner unit	2-1-6
	(2) Image scanner unit (ISU).....	2-1-7
	(3) Laser scanner unit.....	2-1-9
2-1-4	Developing section	2-1-11
2-1-5	Transfer/Separation section	2-1-13
2-1-6	Cleaning section	2-1-14
2-1-7	Fuser section	2-1-16
2-1-8	Eject/Rear unit section.....	2-1-18
2-1-9	Duplex conveying section.....	2-1-20
2-1-10	Document processor	2-1-21
	(1) Original feed section.....	2-1-21
	(2) Original conveying section.....	2-1-22
	(3) Original switchback/eject sections.....	2-1-23
2-2 Electrical Parts Layout		
2-2-1	Electrical parts layout	2-2-1
	(1) PWBs.....	2-2-1
	(2) Switches and sensors.....	2-2-3
	(3) Motors.....	2-2-5
	(4) Other electrical components.....	2-2-6
	(5) Document processor	2-2-7
2-3 Operation of the PWBs		
2-3-1	Power source PWB	2-3-1
2-3-2	Engine PWB	2-3-3
2-3-3	Main PWB.....	2-3-8
2-3-4	Connect-L PWB.....	2-3-14
2-3-5	Connect-R PWB	2-3-18
2-3-6	DP drive PWB.....	2-3-21

2-4 Appendixes

2-4-1 Appendixes	2-4-1
(1) Wiring diagram	2-4-1
(2) Repetitive defects gauge	2-4-3
(3) Maintenance kits.....	2-4-4
(4) Firmware Environment Commands	2-4-5
(5) Maintenance Commands.....	2-4-11

1-1-1 Specifications

Basic functions

Item	Specifications	
	3 in 1 model (without FAX)	4 in 1 model (with FAX)
Type	Desktop	
Printing method	Electrophotography by semiconductor laser, single drum system	
Originals	Sheet, Book, 3-dimensional objects (maximum original size: Folio/Legal)	
Original feed system	Contact glass: fixed	
Paper weight	Cassette	60 to 120 g/m ² (Duplex: 60 to 120 g/m ²)
	MP tray	60 to 220 g/m ²
Paper type	Cassette	Plain, Recycled, Preprinted, Bond, Color (Colour), Prepunched, Letterhead, High Quality, Custom 1 to 8 (Duplex: Same as simplex)
	MP tray	Plain, Transparency, Rough, Vellum, Labels, Recycled, Preprinted, Bond, Cardstock, Color (Colour), Prepunched, Letterhead, Thick, Envelope, High Quality, Custom 1 to 8
Paper size	Cassette	A4, B5, A5, A6, Legal, Letter, Statement, Executive, Oficio II, Folio, 16K, Custom
	MP tray	A4, B5, B5(ISO), A5, A6, B6, Envelope #10, Envelope #9, Envelope #6, Envelope Monarch, Envelope DL, Envelope C5, Hagaki, Oufuku Hagaki, Youkei 2, Youkei 4, Legal, Letter, Statement, Executive, Oficio II, Folio, 16K, Custom
Zoom level	Manual mode: 25 - 400%, 1% increments Auto mode: 400%, 200%, 141%, 129%, 115%, 90%, 86%, 78%, 70%, 64%, 50%, 25%	
Copying speed	Simplex	A4R : 40 ppm LetterR : 42 ppm Legal : 33 ppm B5R : 33 ppm A5R/A6R : 22 ppm
	Duplex	A4R : 24.5 ppm LetterR : 26 ppm Legal : 16.5 ppm B5R : 24 ppm A5R : 21 ppm
First copy time (A4, feed from cassette)	7.0 second or less	
Warm-up time (22°C/71.6°F, 60%RH)	Power on: 22 second or less Recovery from the low power mode: 10 second or less Recovery from the sleep mode: 15 second or less	
Paper capacity	Cassette	500 sheets (80g/m ²)
	MP tray	100 sheets (80 g/m ² , plain paper, Letter/A4 or smaller)
Output tray capacity	500 sheets (80g/m ²)	
Continuous printing	1 to 999 sheets	

Item	Specifications		
	3 in 1 model (without FAX)	4 in 1 model (with FAX)	
Scanning system	Flat bed scanning by CCD image sensor		
Photoconductor	a-Si drum (diameter 30 mm)		
Image write system	Semiconductor laser (1 beam)		
Charging system	Contact charger roller method (positive charging)		
Developing system	Mono component dry developing method Toner replenishing: Automatic from the toner container		
Transfer system	Transfer roller (negative-charged)		
Separation system	Small diameter separation, discharger brush (negative-charged)		
Cleaning system	Counter blade cleaning + cleaning roller		
Charge erasing system	Exposure by eraser lamp (LED)		
Fusing system	Heat roller system Heat source: halogen heater Abnormally high temperature protection devices: thermostat		
CPU	PowerPC440 (667MHz)		
Memory	Standard	256MB	
	Maximum	768MB	
Interface	USB: 1 port (Hi-speed USB 2.0) USB host: 1 port Ethernet: 1 port (10BASE-T/100BASE-TX)		
Resolution	600×600 dpi		
Operating environment	Temperature	10 to 32.5 °C/50 to 90.5 °F	
	Humidity	15 to 80%	
	Altitude	2,500 m/8,202 ft maximum	
	Brightness	1,500 lux maximum	
Dimensions (W × D × H)	494 × 497.1 × 545.5 mm 19 7/16" × 19 9/16" × 21 1/2"		
Weight	Approx. 25.5 kg / 56.2 lb (with toner container)	Approx. 25.8 kg / 56.9 lb (with toner container)	
Space Space required (W × D)	Without MP tray: 494 × 497.1 mm 19 7/16" × 19 9/16" With MP tray : 494 × 656.1 mm 19 7/16" × 25 13/16"		
Power source	120 V AC, 60 Hz, more than 10.0 A 220 - 240 V AC, 50/60 Hz, more than 6.0A		
Options	Paper feeder × 3, Expanded memory		

Document processor functions

Item	Specifications
Original feed method	Automatic feed
Supported original types	Sheet originals
Original sizes	Maximum: Legal/A4 Minimum: Statement/A5
Original weights	Simplex: 50 to 120 g/m ² Duplex: 50 to 110 g/m ²
Loading capacity	50 sheets (50 to 80 g/m ²) maximum
Dimensions (W × D× H)	490 × 339 × 104 mm 19 5/16" × 13 5/16" × 4 1/8"
Weight	3 kg or less / 6.6 lb. or less

Printing functions

Item	Specifications
Printing speed	Same as copying speed.
First print time (A4, feed from cassette)	9.5 seconds or less
Resolution	Fine 1200, Fast 1200, 600 dpi, 300 dpi, 200×400 dpi, 200×100 dpi
Operating system	Windows 2000, Windows XP, Windows XP Professional, Windows Server 2003, Windows Server 2003 x64 Edition, Windows Vista x86 Edition, Windows Vista x64 Edition, Windows 2008 Server, Windows Server 2008 x64 Edition, Windows 7, Apple Macintosh OS 10.x
Interface	USB: 1 port (Hi-speed USB 2.0) USB host: 1 port Ethernet: 1 port (10BASE-T/100BASE-TX)
Page description language	PRESCRIBE

Scanning functions

Item	Specifications
Compatible operation system	Windows 2000 (Service Pack 4), Windows XP, Windows Vista, Windows Server 2003, Windows Server 2008, Windows 7
System requirements	IBM PC/AT compatible CPU: Celeron 600MHz or higher RAM: 128MB or more HDD free space: 20MB or more Interface: USB
Resolution	600 dpi, 400 dpi, 300 dpi, 200 dpi
File format	JPEG, TIFF, PDF, XPS

Item	Specifications
Scanning speed	1-sided: B/W 35 images/min Color 13 images/min (A4 landscape, 600 dpi, Image quality: Text/Photo original)
Interface	Ethernet (10 BASE-T/100 BASE-TX) USB2.0 (Hi-Speed USB)
Network protocol	TCP/IP
Transmission system	PC transmission SMB Scan to SMB FTP Scan to FTP, FTP over SSL E-mail transmission SNMP Scan to E-mail TWAIN scan WIA scan

Fax functions : 4in1 model (with FAX) only

Item	Specifications
Compatibility	Super G3
Communication line	Subscriber telephone line
Transmission time	3 seconds or less (33600 bps, JBIG, ITU-T A4 #1 chart)
Transmission speed	33600/31200/28800/26400/24000/21600/19200/16800/14400/12000/9600/ 7200/4800/2400 bps
Coding scheme	JBIG/MMR/MR/MH
Error correction	ECM
Original size	Max. width: 8 1/2"/215 mm Max. length: 14"/355.6 mm
Automatic document feed	Max. 50 sheets
Scanner resolution	Horizontal × Vertical 200 × 100 dpi Normal (8 dot/mm × 3.85 line/mm) 200 × 200 dpi Fine (8 dot/mm × 7.7 line/mm) 200 × 400 dpi Super fine (8 dot/mm × 15.4 line/mm) 400 × 400 dpi Ultra fine (16 dot/mm × 15.4 line/mm)
Printing resolution	600×600 dpi
Gradations	256 shades (Error diffusion)
One-Touch key	22 keys
Multi-Station transmission	Max. 100 destinations
Substitute memory reception	256 sheets or more (when using ITU-T A4 #1)
Image memory capacity	3.5 MB (standard) (for incoming faxed originals)
Report output	Sent result report, FAX RX result report, Activity report, Status page

NOTE: These specifications are subject to change without notice.

1-1-2 Parts names

(1) Overall

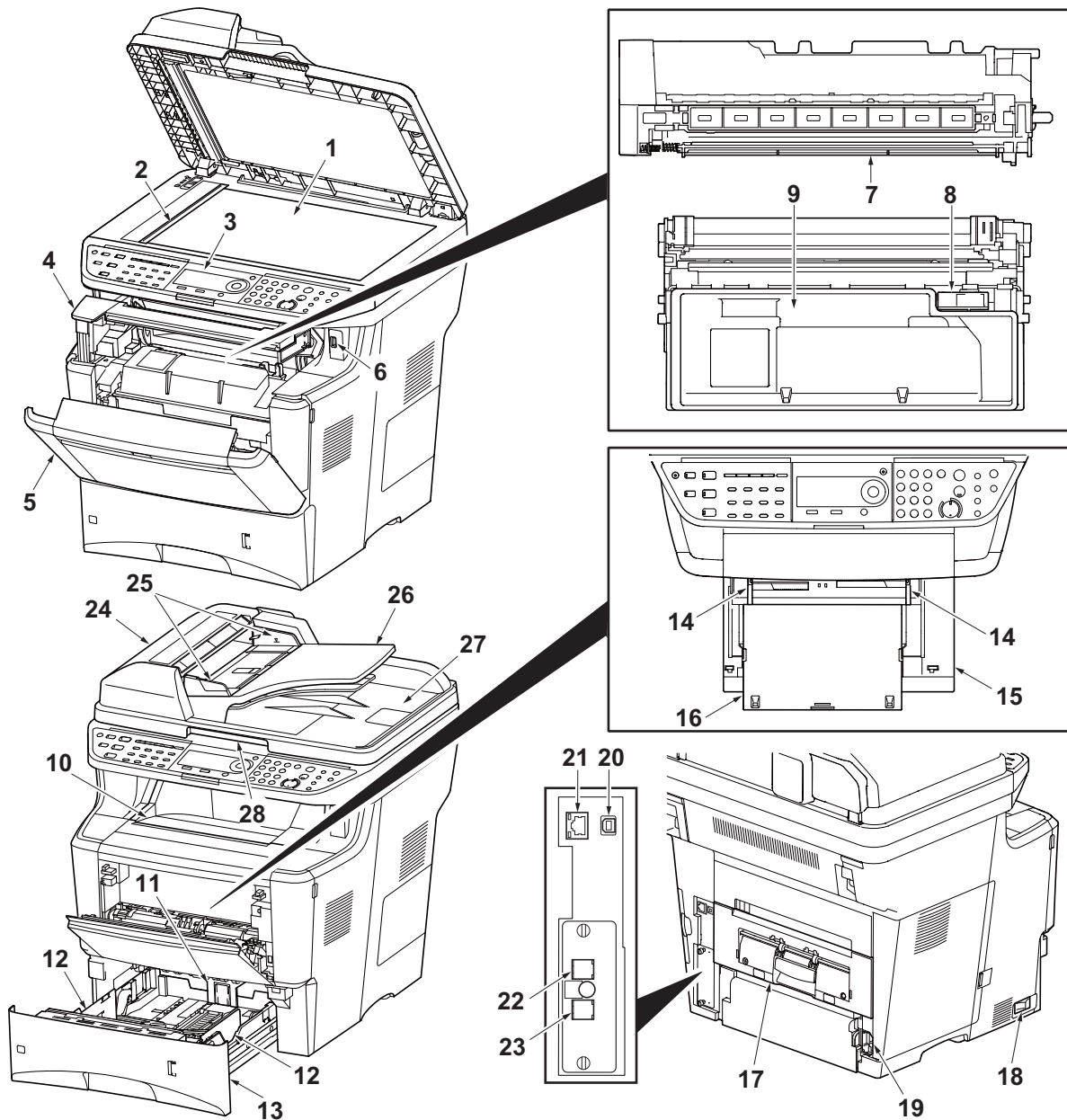


Figure 1-1-1

- | | | |
|------------------------------------|------------------------------------|---------------------------|
| 1. Platen (contact glass) | 12. Paper width guides | 23. Tel connector (T1) * |
| 2. Original size Indicator plate | 13. Cassette | 24. DP top cover |
| 3. Operation panel | 14. Paper width guides (MP tray) | 25. Original width guides |
| 4. Front upper cover | 15. MP (Multi-Purpose) tray | 26. Original table |
| 5. Front cover | 16. MP tray extension | 27. Original eject table |
| 6. USB Interface connector (front) | 17. Rear unit | 28. Opening handle |
| 7. Drum unit | 18. Main power switch | |
| 8. Lock lever | 19. Power cord connector | |
| 9. Toner container | 20. USB Interface connector (rear) | |
| 10. Inner tray | 21. Network Interface connector | |
| 11. Paper length guide | 22. Line connector (L1) * | |

* 4in1 model (with FAX) only

(2) Operation panel

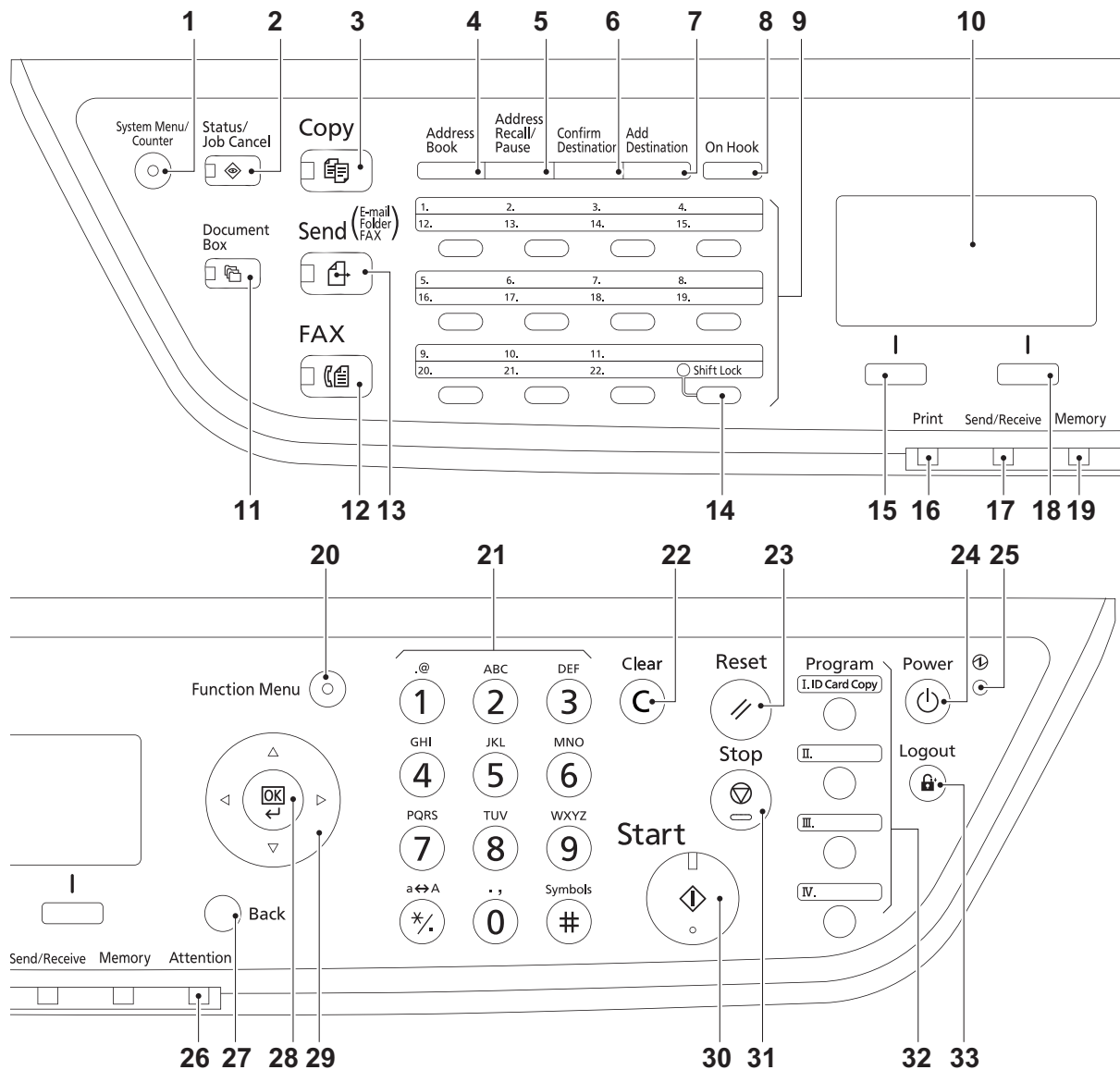


Figure 1-1-2

- | | | |
|----------------------------------|-----------------------------|-------------------------|
| 1. System menu/Counter key (LED) | 13. Send key (LED) | 25. Main power LED |
| 2. Status/Job Cancel key (LED) | 14. Shift Lock key (LED) | 26. Attention indicator |
| 3. Copy key (LED) | 15. Left Select key | 27. Back key |
| 4. Address Book key | 16. Print indicator | 28. OK key |
| 5. Address Recall/Pause key * | 17. Send/Receive indicator | 29. Cursor keys |
| 6. Confirm Destination key | 18. Right Select key | 30. Start key (LED) |
| 7. Add Destination key | 19. Memory indicator | 31. Stop key |
| 8. On Hook key * | 20. Function Menu key (LED) | 32. Program keys |
| 9. One-touch keys | 21. Numeric keys | 33. Logout key (LED) |
| 10. Message display | 22. Clear key | |
| 11. Document Box key (LED) | 23. Reset key | |
| 12. FAX key (LED) * | 24. Power key | |
- * 4in1 model (with FAX) only

1-1-3 Machine cross section

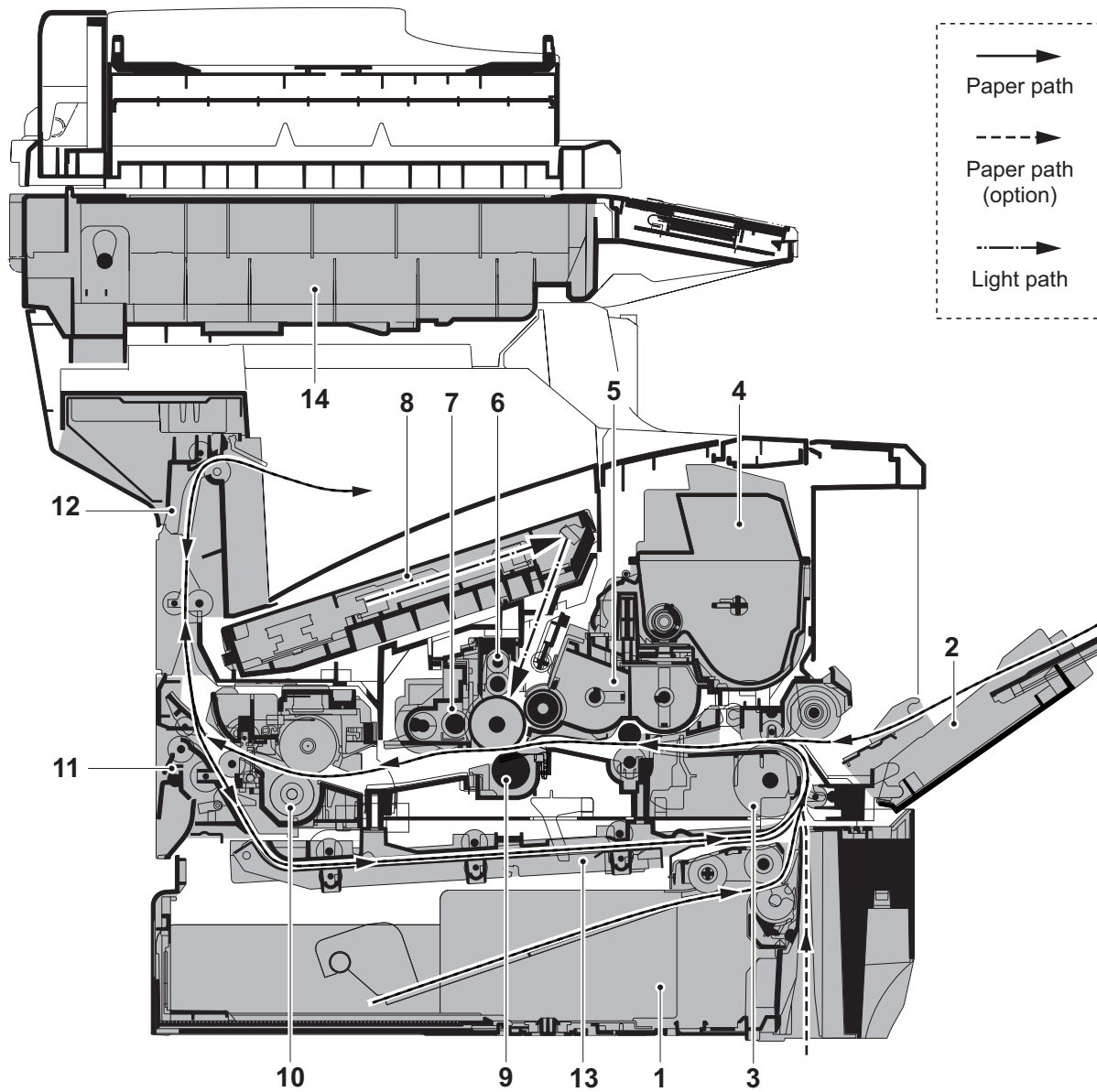


Figure 1-1-3

- | | |
|---------------------------------|--------------------------------|
| 1. Cassette | 9. Transfer/separation section |
| 2. MP tray | 10. Fuser unit |
| 3. Paper feed/conveying section | 11. Rear unit |
| 4. Toner container | 12. Eject section |
| 5. Developing unit | 13. Duplex/conveying section |
| 6. Main charger unit | 14. Scanner unit |
| 7. Drum unit | |
| 8. Laser scanner unit (LSU) | |

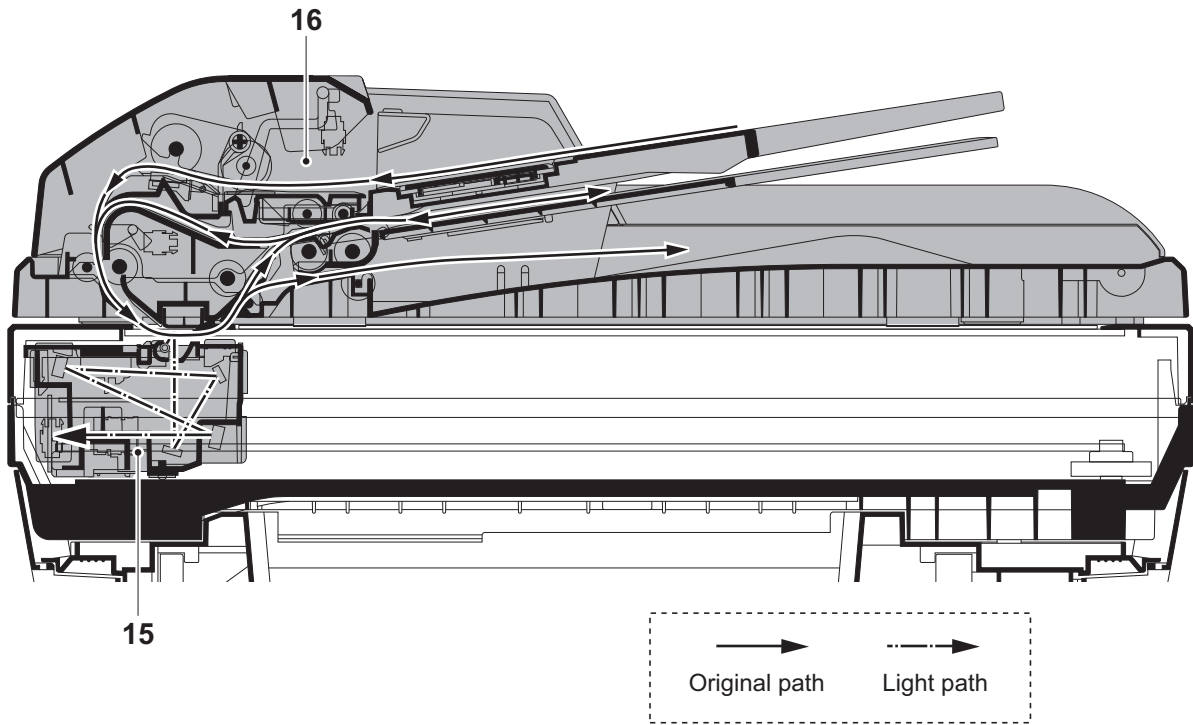


Figure 1-1-4

- 15. Image scanner unit (ISU)
- 16. Document processor (DP)

1-2-1 Installation environment

1. Temperature: 10 to 32.5°C/50 to 90.5°F
2. Humidity: 15 to 80%RH
3. Power supply: 120 V AC, 10.0 A
220 - 240 V AC, 6.0 A
4. Power source frequency: 50 Hz $\pm 2\%$ /60 Hz $\pm 2\%$
5. Installation location

Avoid direct sunlight or bright lighting. Ensure that the photoconductor will not be exposed to direct sunlight or other strong light when removing paper jams.

Avoid locations subject to high temperature and high humidity or low temperature and low humidity; an abrupt change in the environmental temperature; and cool or hot, direct air.

Avoid places subject to dust and vibrations.

Choose a surface capable of supporting the weight of the machine.

Place the machine on a level surface (maximum allowance inclination: 1°).

Avoid air-borne substances that may adversely affect the machine or degrade the photoconductor, such as mercury, acidic or alkaline vapors, inorganic gasses, NO_x, SO_x gases and chlorine-based organic solvents.

Select a well-ventilated location.

6. Allow sufficient access for proper operation and maintenance of the machine.

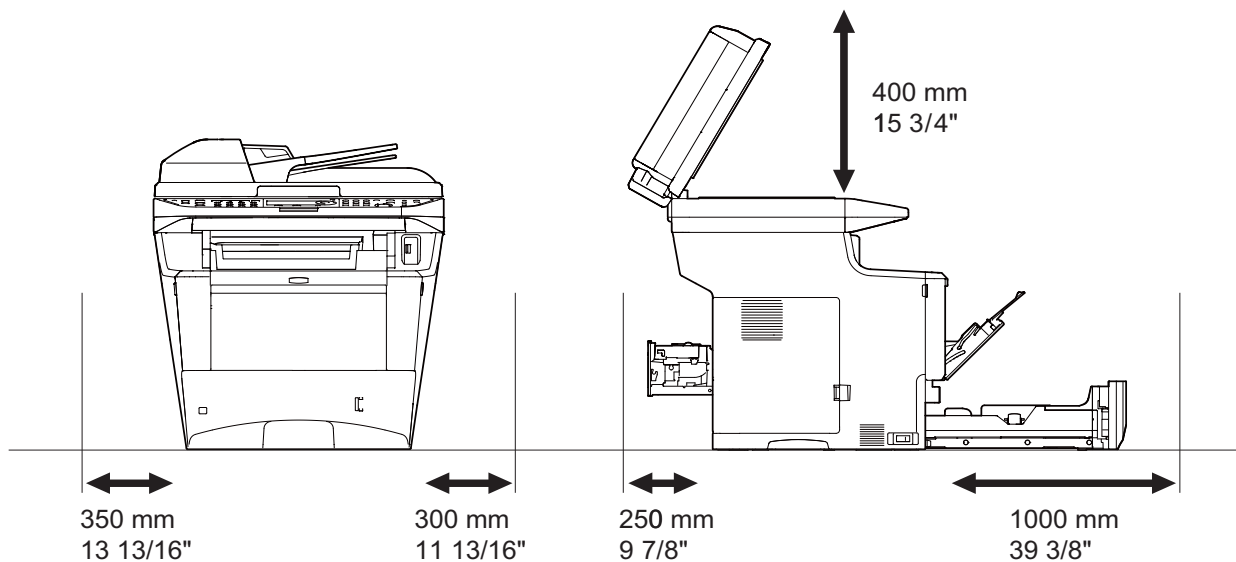


Figure 1-2-1

(2) Removing the tapes

<Procedure>

1. Remove the tape.

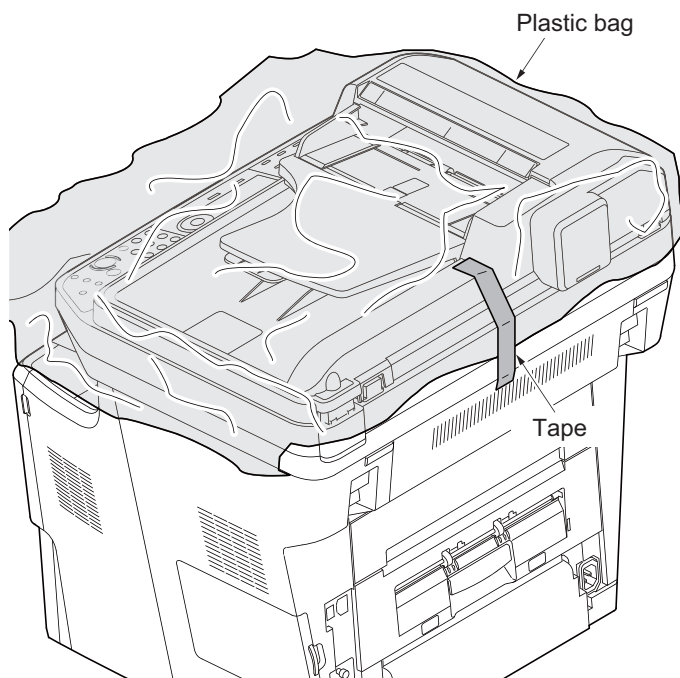


Figure 1-2-3

2. Open the DP.
3. Remove the plastic bag by pulling upwards.
4. Remove two tapes.
5. Remove the sheet and paper.

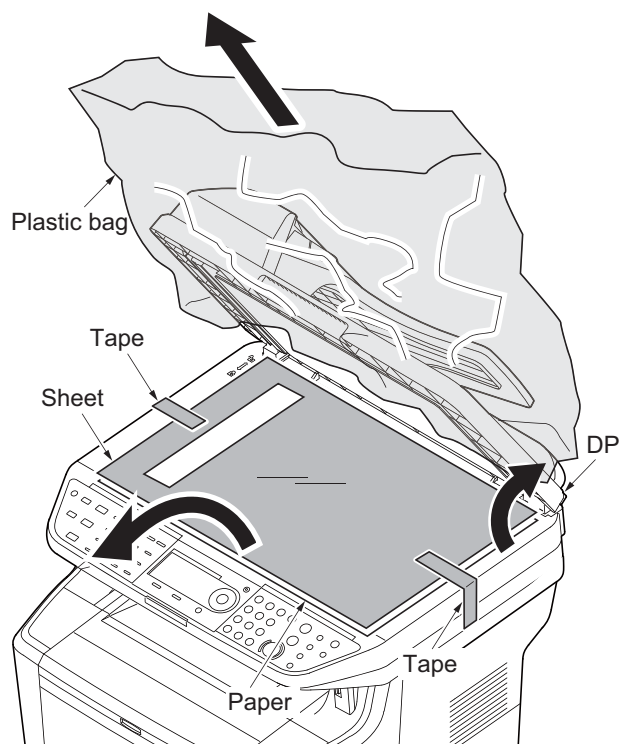


Figure 1-2-4

6. Remove the tape A.
7. Move the lock lever to the position of release.
- * : When turning on power if the lock lever is not released, the error message is displayed.
8. Close the DP.
9. Remove nine tapes B.
10. Open the left side cover and then remove the tape C and spacer.
11. Close the left side cover.

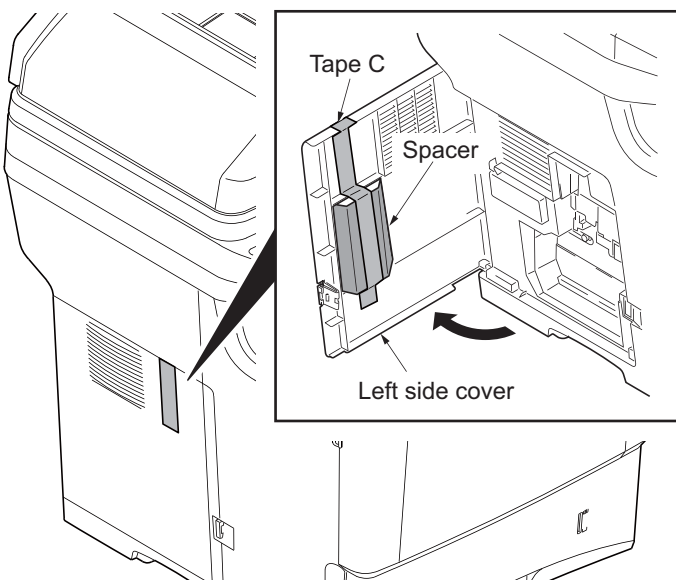
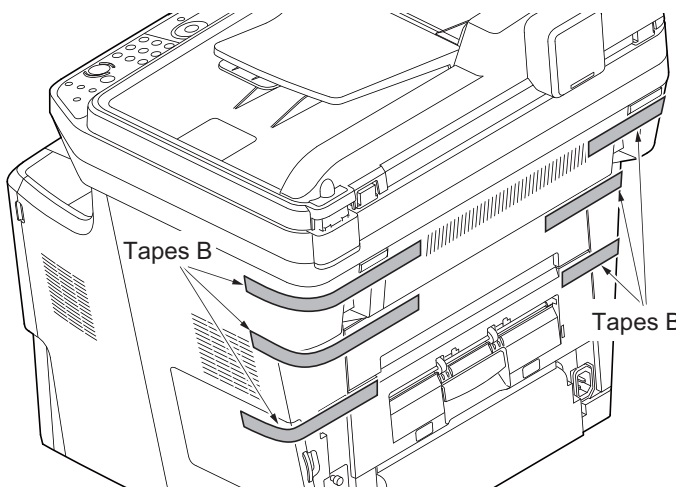
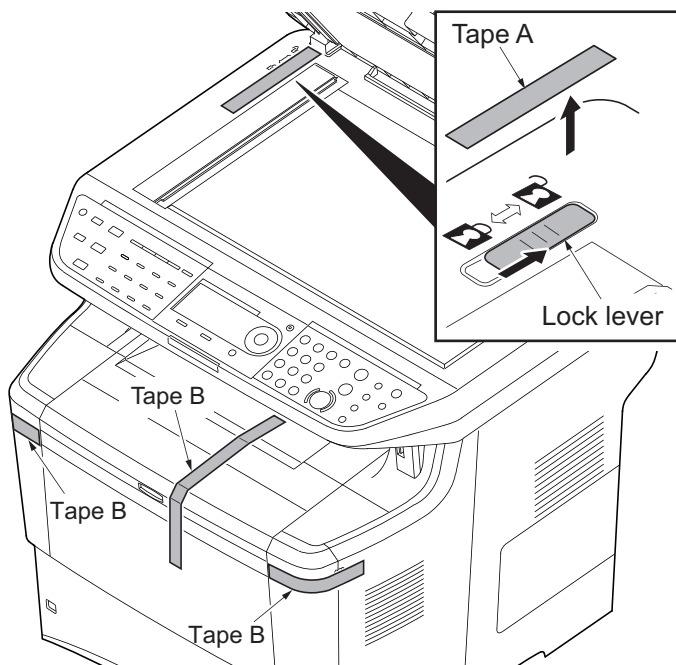


Figure 1-2-5

12. Remove the tape.

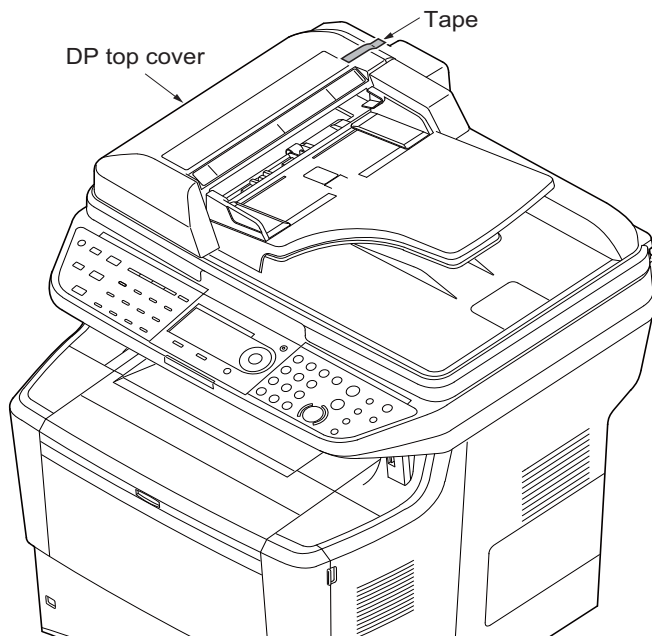


Figure 1-2-6

- 13. Open the front cover.
- 14. Remove the tape and pad.
- 15. Close the front cover.

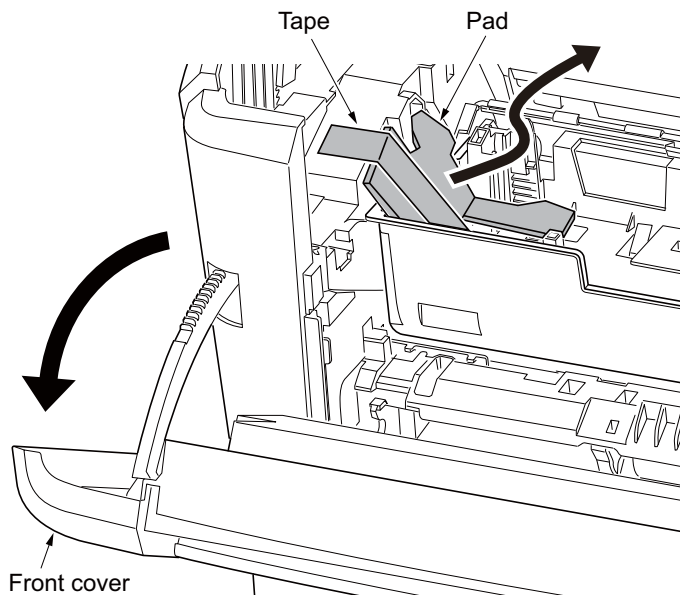


Figure 1-2-7

1-2-3 Installing the expansion memory (option)

<Procedure>

1. Turn off the main power switch.
Caution: Do not insert or remove expansion memory while machine power is on.
Doing so may cause damage to the machine and the expansion memory.
2. Remove the right side cover.
3. Remove the screw.

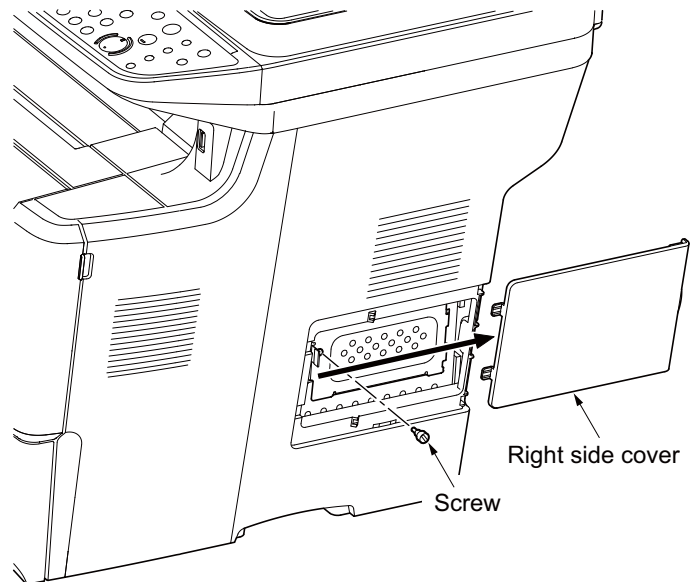


Figure 1-2-8

4. Open the memory slot cover.
5. Insert the expansion memory into the memory socket so that the notches on the memory align with the corresponding protrusions in the slot.
6. Close the memory slot cover.
7. Secure the screw.
8. Refit the right side cover.
9. Print a status page to check the memory expansion.

If memory expansion has been properly performed, information on the installed memory is printed with the total memory capacity has been increased. Standard memory capacity 256 MB.

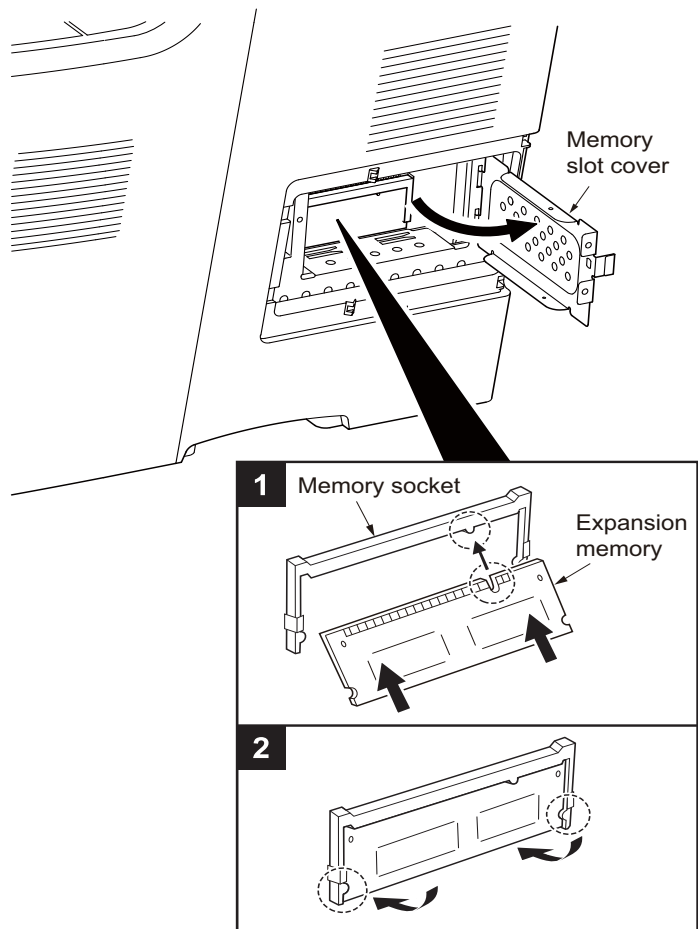
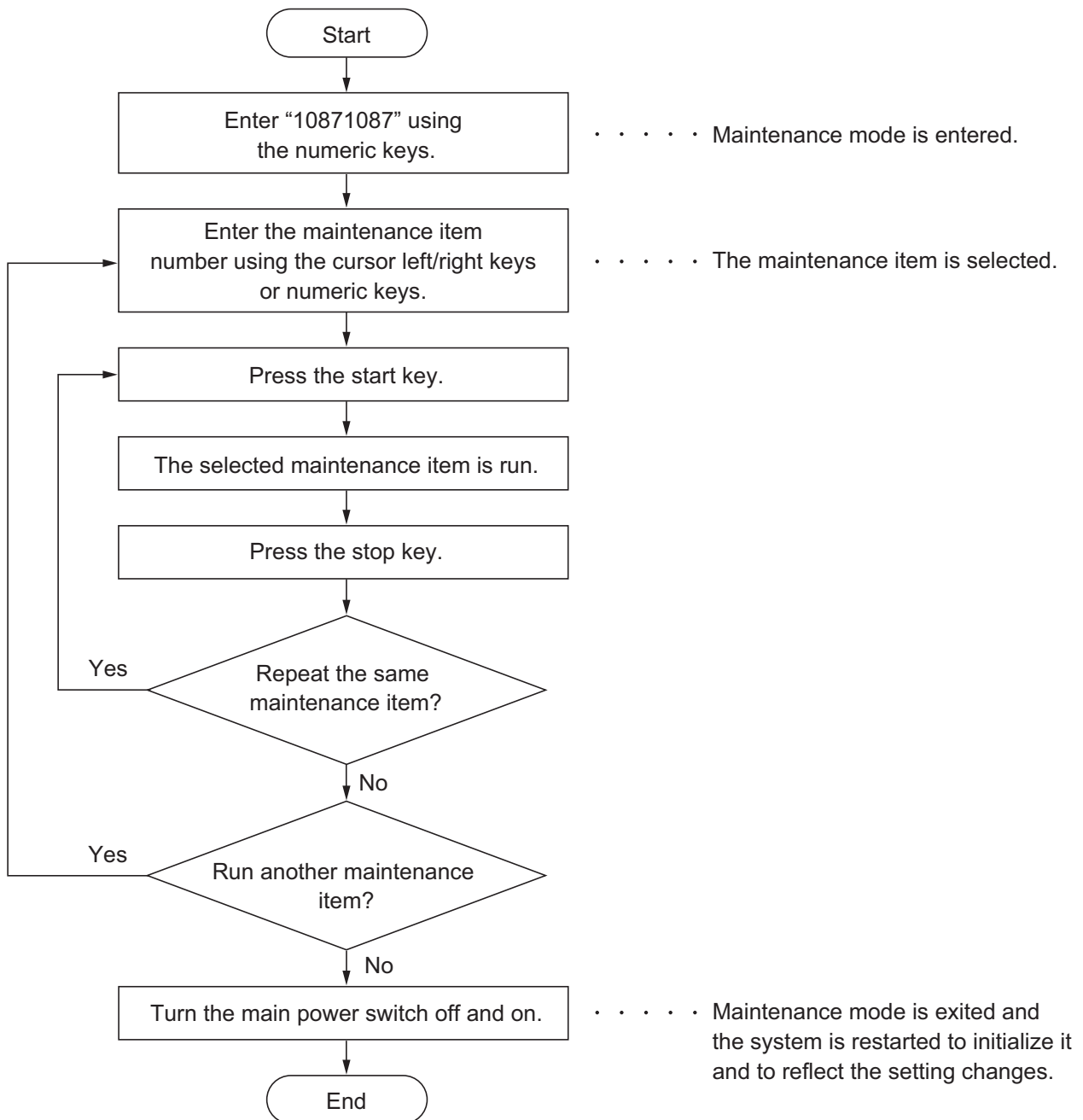


Figure 1-2-9

1-3-1 Maintenance mode

The machine is equipped with a maintenance function which can be used to maintain and service the machine.

(1) Executing a maintenance item



(2) Maintenance modes item list

Section	Item No.	Content of maintenance item	Initial setting
General	U000	Outputting an own-status report	-
	U002	Setting the factory default data	-
	U004	Setting the machine number	-
Operation panel and support equipment	U203	Checking DP operation	-
	U222	Setting the IC card type	Other
Mode setting	U250	Setting the maintenance cycle	100000
	U251	Checking/clearing the maintenance count	-
	U252	Setting the destination	-
	U253	Switching between double and single counts	Double count
	U260	Selecting the timing for copy counting	EJECT
	U285	Setting service status page	ON
	U332	Setting the size conversion factor	1.0
	U345	Setting the value for maintenance due indication	0
Image processing	U411	Adjusting the scanner automatically	-
	U425	Setting the target	-
Fax	U600	Initializing all data	-
	U601	Initializing permanent data	-
	U603	Setting user data 1	DTMF
	U604	Setting user data 2	2 (120 V) 1 (220-240 V)
	U605	Clearing data	-
	U610	Setting system 1	3
		Setting the number of lines to be ignored when receiving a fax at 100% magnification	0
		Setting the number of lines to be ignored when receiving a fax (A4R/LetterR) in the auto reduction mode	0
	U611	Setting system 2	7
		Setting the number of adjustment lines for automatic reduction	22
Setting the number of adjustment lines for automatic reduction when A4 paper is set		26	
U612	Setting system 3	ON	
	Selecting if auto reduction in the auxiliary direction is to be performed	OFF	
	Setting the automatic printing of the protocol list	OFF	

Section	Item No.	Content of maintenance item	Initial setting
Fax	U620	Setting the remote switching mode	ONE
	U625	Setting the transmission system 1 Setting the auto redialing interval Setting the number of times of auto redialing	3 (120 V) 2 (220-240 V) 2 (120 V) 3 (220-240 V)
	U630	Setting communication control 1 Setting the communication starting speed Setting the reception speed Setting the waiting period to prevent echo problems at the sender Setting the waiting period to prevent echo problems at the receiver	14400bps/V17 14400bps 300 75
	U631	Setting communication control 2 Setting ECM transmission Setting ECM reception Setting the frequency of the CED signal	ON ON 2100
	U632	Setting communication control 3 Setting the DIS signal to 4 bytes Setting the short protocol transmission Setting the reception of a short protocol transmission Setting the CNG detection times in the fax/telephone auto select mode	OFF ON ON 2TIME
	U633	Setting communication control 4 Enabling/disabling V.34 communication Setting the V.34 symbol speed (3429 Hz) Setting the number of times of DIS signal reception Setting the reference for RTN signal output	ON ON ONCE 15%
	U634	Setting communication control 5	0
	U640	Setting communication time 1 Setting the one-shot detection time for remote switching Setting the continuous detection time for remote switching	7 80
	U641	Setting communication time 2 Setting the T0 time-out time Setting the T1 time-out time Setting the T2 time-out time Setting the Ta time-out time Setting the Tb1 time-out time Setting the Tb2 time-out time Setting the Tc time-out time Setting the Td time-out time	56 36 69 30 20 80 60 9 (120 V) 6 (220-240 V)
	U650	Setting modem 1 Setting the G3 transmission cable equalizer Setting the G3 reception cable equalizer Setting the modem detection level	0dB 0dB 43dBm

Section	Item No.	Content of maintenance item	Initial setting
Fax	U651	Setting modem 2	9 (120 V)
		Modem output level	10 (220-240 V)
		DTMF output level (main value)	5 (120 V)
		DTMF output level (level difference)	10.5 (220-240 V)
	U660	Setting the NCU Setting the connection to PBX/PSTN Setting PSTN dial tone detection Setting busy tone detection Setting for a PBX Setting the loop current detection before dialing	PSTN ON ON LOOP ON
U670	Outputting lists	-	
U695	FAX function customize	ON/OFF	
U699	Setting the software switches	-	
Others	U910	Clearing the black ratio data	-
	U917	Setting backup data reading/writing	-
	U977	Data capture mode	-

(3) Contents of the maintenance mode items

Item No.	Description																
U000	<p data-bbox="287 291 702 324">Outputting an own-status report</p> <p data-bbox="287 358 438 392">Description</p> <p data-bbox="287 392 1428 526">Outputs lists of the current settings of the maintenance items and paper jam and service call occurrences. Outputs the event log. Also sends output data to the USB memory. Printing a report is disabled either when a job is remaining in the buffer or when [Pause All Print Jobs] is pressed to halt printing.</p> <p data-bbox="287 526 399 560">Purpose</p> <p data-bbox="287 560 1428 660">To check the current setting of the maintenance items, or paper jam or service call occurrences. Before initializing or replacing the backup RAM, output a list of the current settings of the maintenance items to reenter the settings after initialization or replacement.</p> <p data-bbox="287 705 391 739">Method</p> <ol data-bbox="303 739 1037 806" style="list-style-type: none"> 1. Press the start key. 2. Select the item to be output using the cursor up/down keys. <table border="1" data-bbox="335 817 1396 1008"> <thead> <tr> <th data-bbox="343 817 638 862">Display</th> <th data-bbox="638 817 1396 862">Output list</th> </tr> </thead> <tbody> <tr> <td data-bbox="343 862 638 907">MAINTENANCE</td> <td data-bbox="638 862 1396 907">List of the current settings of the maintenance modes</td> </tr> <tr> <td data-bbox="343 907 638 952">EVENT</td> <td data-bbox="638 907 1396 952">Outputs the event log</td> </tr> <tr> <td data-bbox="343 952 638 1008">ALL</td> <td data-bbox="638 952 1396 1008">Outputs the all reports</td> </tr> </tbody> </table> <ol data-bbox="303 1019 750 1052" style="list-style-type: none"> 3. Press the start key. A list is output. <p data-bbox="287 1086 726 1120">Method: Send to the USB memory</p> <ol data-bbox="303 1120 1428 1400" style="list-style-type: none"> 1. Press the power key on the operation panel, and after verifying the main power indicator has gone off, switch off the main power switch. 2. Insert USB memory in USB memory slot. 3. Turn the main power switch on. 4. Enter the maintenance item. 5. Press the start key. 6. Select the item to be send. 7. Select [TEXT] or [HTML]. <table border="1" data-bbox="335 1411 1396 1601"> <thead> <tr> <th data-bbox="343 1411 638 1456">Display</th> <th data-bbox="638 1411 1396 1456">Output list</th> </tr> </thead> <tbody> <tr> <td data-bbox="343 1456 638 1500">Print</td> <td data-bbox="638 1456 1396 1500">Outputs the report</td> </tr> <tr> <td data-bbox="343 1500 638 1545">USB (TEXT)</td> <td data-bbox="638 1500 1396 1545">Sends output data to the USB memory (text type)</td> </tr> <tr> <td data-bbox="343 1545 638 1601">USB (HTML)</td> <td data-bbox="638 1545 1396 1601">Sends output data to the USB memory (HTML type)</td> </tr> </tbody> </table> <ol data-bbox="303 1612 805 1680" style="list-style-type: none"> 8. Press the start key. Output will be sent to the USB memory. <p data-bbox="287 1713 438 1747">Completion</p> <p data-bbox="287 1747 1252 1780">Press the stop key. The screen for selecting a maintenance item No. is displayed.</p>	Display	Output list	MAINTENANCE	List of the current settings of the maintenance modes	EVENT	Outputs the event log	ALL	Outputs the all reports	Display	Output list	Print	Outputs the report	USB (TEXT)	Sends output data to the USB memory (text type)	USB (HTML)	Sends output data to the USB memory (HTML type)
Display	Output list																
MAINTENANCE	List of the current settings of the maintenance modes																
EVENT	Outputs the event log																
ALL	Outputs the all reports																
Display	Output list																
Print	Outputs the report																
USB (TEXT)	Sends output data to the USB memory (text type)																
USB (HTML)	Sends output data to the USB memory (HTML type)																

Item No.	Description																																																																																																																													
U000	<p>Event log</p> <div style="border: 1px solid black; padding: 10px; margin: 10px 0;"> <p>Event Log</p> <p>MFP (2) 06/Apr/2010 08:40</p> <p>(1) Firmware version 2LX_2000.000.000 2010.04.06 (3) [XXXXXXXX] (4) [XXXXXXXX] (5) [XXXXXXXX]</p> <hr/> <div style="display: flex; justify-content: space-between;"> <div style="width: 48%;"> <p>(7) Paper Jam Log</p> <table border="1" style="width: 100%; border-collapse: collapse;"> <thead> <tr> <th>#</th> <th>Count.</th> <th>Event Descriptions</th> </tr> </thead> <tbody> <tr><td>16</td><td>1876543</td><td>10.01.08.01.01</td></tr> <tr><td>15</td><td>166554</td><td>10.01.08.01.02</td></tr> <tr><td>14</td><td>4988</td><td>10.01.08.01.01</td></tr> <tr><td>13</td><td>4988</td><td>10.01.08.01.02</td></tr> <tr><td>12</td><td>4988</td><td>10.01.08.01.01</td></tr> <tr><td>11</td><td>4988</td><td>10.01.08.01.02</td></tr> <tr><td>10</td><td>1103</td><td>10.01.08.01.01</td></tr> <tr><td>9</td><td>1103</td><td>10.01.08.01.02</td></tr> <tr><td>8</td><td>1103</td><td>10.01.08.01.01</td></tr> <tr><td>7</td><td>1103</td><td>10.01.08.01.02</td></tr> <tr><td>6</td><td>1027</td><td>10.01.08.01.01</td></tr> <tr><td>5</td><td>1027</td><td>10.01.08.01.02</td></tr> <tr><td>4</td><td>1027</td><td>10.01.08.01.01</td></tr> <tr><td>3</td><td>1027</td><td>10.01.08.01.02</td></tr> <tr><td>2</td><td>406</td><td>10.01.08.01.01</td></tr> <tr><td>1</td><td>36</td><td>10.01.08.01.02</td></tr> </tbody> </table> </div> <div style="width: 48%;"> <p>(8) Service Call Log</p> <table border="1" style="width: 100%; border-collapse: collapse;"> <thead> <tr> <th>#</th> <th>Count.</th> <th>Service Code</th> </tr> </thead> <tbody> <tr><td>8</td><td>1881214</td><td>01.0030</td></tr> <tr><td>7</td><td>178944</td><td>01.1010</td></tr> <tr><td>6</td><td>5296</td><td>01.4000</td></tr> <tr><td>5</td><td>5295</td><td>01.3100</td></tr> <tr><td>4</td><td>2099</td><td>01.2000</td></tr> <tr><td>3</td><td>1054</td><td>01.2000</td></tr> <tr><td>2</td><td>809</td><td>01.2500</td></tr> <tr><td>1</td><td>30</td><td>01.2500</td></tr> </tbody> </table> <p>(9) Maintenance Log</p> <table border="1" style="width: 100%; border-collapse: collapse;"> <thead> <tr> <th>#</th> <th>Count.</th> <th>Item</th> </tr> </thead> <tbody> <tr><td>8</td><td>1045571</td><td>01.00</td></tr> <tr><td>7</td><td>104511</td><td>01.00</td></tr> <tr><td>6</td><td>7045</td><td>01.00</td></tr> <tr><td>5</td><td>3454</td><td>01.00</td></tr> <tr><td>4</td><td>3454</td><td>02.00</td></tr> <tr><td>3</td><td>3454</td><td>02.00</td></tr> <tr><td>2</td><td>417</td><td>02.00</td></tr> <tr><td>1</td><td>34</td><td>02.20</td></tr> </tbody> </table> <p>(10) Unknown toner Log</p> <table border="1" style="width: 100%; border-collapse: collapse;"> <thead> <tr> <th>#</th> <th>Count.</th> <th>Item</th> </tr> </thead> <tbody> <tr><td>5</td><td>3454</td><td>01.00</td></tr> <tr><td>4</td><td>3454</td><td>01.00</td></tr> <tr><td>3</td><td>3454</td><td>01.00</td></tr> <tr><td>2</td><td>406</td><td>01.00</td></tr> <tr><td>1</td><td>32</td><td>01.00</td></tr> </tbody> </table> </div> </div> <div style="text-align: center; margin: 10px 0;"> <table border="1" style="margin: auto;"> <tr> <td style="padding: 5px;">10.01.08.01.01</td> </tr> <tr> <td style="padding: 5px;">(a) (b) (c) (d) (e)</td> </tr> </table> </div> </div>	#	Count.	Event Descriptions	16	1876543	10.01.08.01.01	15	166554	10.01.08.01.02	14	4988	10.01.08.01.01	13	4988	10.01.08.01.02	12	4988	10.01.08.01.01	11	4988	10.01.08.01.02	10	1103	10.01.08.01.01	9	1103	10.01.08.01.02	8	1103	10.01.08.01.01	7	1103	10.01.08.01.02	6	1027	10.01.08.01.01	5	1027	10.01.08.01.02	4	1027	10.01.08.01.01	3	1027	10.01.08.01.02	2	406	10.01.08.01.01	1	36	10.01.08.01.02	#	Count.	Service Code	8	1881214	01.0030	7	178944	01.1010	6	5296	01.4000	5	5295	01.3100	4	2099	01.2000	3	1054	01.2000	2	809	01.2500	1	30	01.2500	#	Count.	Item	8	1045571	01.00	7	104511	01.00	6	7045	01.00	5	3454	01.00	4	3454	02.00	3	3454	02.00	2	417	02.00	1	34	02.20	#	Count.	Item	5	3454	01.00	4	3454	01.00	3	3454	01.00	2	406	01.00	1	32	01.00	10.01.08.01.01	(a) (b) (c) (d) (e)
#	Count.	Event Descriptions																																																																																																																												
16	1876543	10.01.08.01.01																																																																																																																												
15	166554	10.01.08.01.02																																																																																																																												
14	4988	10.01.08.01.01																																																																																																																												
13	4988	10.01.08.01.02																																																																																																																												
12	4988	10.01.08.01.01																																																																																																																												
11	4988	10.01.08.01.02																																																																																																																												
10	1103	10.01.08.01.01																																																																																																																												
9	1103	10.01.08.01.02																																																																																																																												
8	1103	10.01.08.01.01																																																																																																																												
7	1103	10.01.08.01.02																																																																																																																												
6	1027	10.01.08.01.01																																																																																																																												
5	1027	10.01.08.01.02																																																																																																																												
4	1027	10.01.08.01.01																																																																																																																												
3	1027	10.01.08.01.02																																																																																																																												
2	406	10.01.08.01.01																																																																																																																												
1	36	10.01.08.01.02																																																																																																																												
#	Count.	Service Code																																																																																																																												
8	1881214	01.0030																																																																																																																												
7	178944	01.1010																																																																																																																												
6	5296	01.4000																																																																																																																												
5	5295	01.3100																																																																																																																												
4	2099	01.2000																																																																																																																												
3	1054	01.2000																																																																																																																												
2	809	01.2500																																																																																																																												
1	30	01.2500																																																																																																																												
#	Count.	Item																																																																																																																												
8	1045571	01.00																																																																																																																												
7	104511	01.00																																																																																																																												
6	7045	01.00																																																																																																																												
5	3454	01.00																																																																																																																												
4	3454	02.00																																																																																																																												
3	3454	02.00																																																																																																																												
2	417	02.00																																																																																																																												
1	34	02.20																																																																																																																												
#	Count.	Item																																																																																																																												
5	3454	01.00																																																																																																																												
4	3454	01.00																																																																																																																												
3	3454	01.00																																																																																																																												
2	406	01.00																																																																																																																												
1	32	01.00																																																																																																																												
10.01.08.01.01																																																																																																																														
(a) (b) (c) (d) (e)																																																																																																																														
	<p>(11) Counter Log</p> <table style="width: 100%;"> <tr> <td style="width: 25%;">(f) J10:000 J30:000</td> <td style="width: 25%;">(g) C0030:001 C2000:001</td> <td style="width: 25%;">(h) M00:01</td> </tr> <tr> <td>J11:000 J31:000</td> <td>C0070:001 C2200:001</td> <td>M00:01</td> </tr> <tr> <td>J12:000 J32:000</td> <td>C0100:001 C3100:001</td> <td></td> </tr> <tr> <td>J20:000 J40:000</td> <td>C0120:001 C3200:001</td> <td></td> </tr> <tr> <td>J21:002 J41:002</td> <td>C0130:001 C3300:001</td> <td></td> </tr> <tr> <td>.</td> <td>.</td> <td>.</td> </tr> <tr> <td>.</td> <td>.</td> <td>.</td> </tr> <tr> <td>.</td> <td>.</td> <td>.</td> </tr> <tr> <td>.</td> <td>.</td> <td>.</td> </tr> <tr> <td>.</td> <td>.</td> <td>.</td> </tr> </table> <p style="text-align: right;">(6) [XXXXXXXXXXXXXXXXXXXX]</p>	(f) J10:000 J30:000	(g) C0030:001 C2000:001	(h) M00:01	J11:000 J31:000	C0070:001 C2200:001	M00:01	J12:000 J32:000	C0100:001 C3100:001		J20:000 J40:000	C0120:001 C3200:001		J21:002 J41:002	C0130:001 C3300:001																																																																																																
(f) J10:000 J30:000	(g) C0030:001 C2000:001	(h) M00:01																																																																																																																												
J11:000 J31:000	C0070:001 C2200:001	M00:01																																																																																																																												
J12:000 J32:000	C0100:001 C3100:001																																																																																																																													
J20:000 J40:000	C0120:001 C3200:001																																																																																																																													
J21:002 J41:002	C0130:001 C3300:001																																																																																																																													
.	.	.																																																																																																																												
.	.	.																																																																																																																												
.	.	.																																																																																																																												
.	.	.																																																																																																																												
.	.	.																																																																																																																												

Figure 1-3-1

Item No.	Description									
U000	Detail of event log									
	No.	Items	Description							
	(1)	System version								
	(2)	System date								
	(3)	Engine soft version								
	(4)	Engine boot version								
	(5)	Operation panel mask version								
	(6)	Machine serial number								
	(7)	Paper Jam Log	<table border="1"> <thead> <tr> <th data-bbox="547 622 841 667">#</th> <th data-bbox="849 622 1114 667">Count.</th> <th data-bbox="1114 622 1439 667">Event</th> </tr> </thead> <tbody> <tr> <td data-bbox="547 667 841 1003">Remembers 1 to 16 of occurrence. If the occurrence of the previous paper jam is less than 16, all of the paper jams are logged. When the occurrence exceeds 16, the oldest occurrence is removed.</td> <td data-bbox="849 667 1114 1003">The total page count at the time of the paper jam.</td> <td data-bbox="1114 667 1439 1003"> Log code (2 digit, hexadecimal, 5 categories) (a) Cause of a paper jam (b) Paper source (c) Paper size (d) Paper type (e) Paper eject </td> </tr> </tbody> </table>	#	Count.	Event	Remembers 1 to 16 of occurrence. If the occurrence of the previous paper jam is less than 16, all of the paper jams are logged. When the occurrence exceeds 16, the oldest occurrence is removed.	The total page count at the time of the paper jam.	Log code (2 digit, hexadecimal, 5 categories) (a) Cause of a paper jam (b) Paper source (c) Paper size (d) Paper type (e) Paper eject	<p data-bbox="547 1003 1439 1048">(a) Cause of paper jam (Hexadecimal)</p> <p data-bbox="547 1048 1439 1093">Refer to P.1-4-2 for paper jam location</p> <p data-bbox="547 1093 1439 1126">10: Paper does not arrive at the registration sensor. (MP tray)</p> <p data-bbox="547 1126 1439 1160">10: Paper does not arrive at the registration sensor. (Cassette)</p> <p data-bbox="547 1160 1439 1193">10: Paper does not arrive at the registration sensor. (Paper feeder)</p> <p data-bbox="547 1193 1439 1227">10: Paper does not arrive at the registration sensor. (Duplex)</p> <p data-bbox="547 1227 1439 1261">11: Paper does not pass the registration sensor</p> <p data-bbox="547 1261 1439 1294">12: Paper remains at the registration sensor when power is turned on.</p> <p data-bbox="547 1294 1439 1328">20: Paper does not arrive at the eject sensor.</p> <p data-bbox="547 1328 1439 1361">21: Paper does not pass the eject sensor.</p> <p data-bbox="547 1361 1439 1395">22: Paper remains at the eject sensor when power is turned on.</p> <p data-bbox="547 1395 1439 1440">30: Paper does not arrive at the PF paper feed sensor 1. (Paper feeder 1)</p> <p data-bbox="547 1440 1439 1485">30: Paper does not arrive at the PF paper feed sensor 1. (Paper feeder 2)</p> <p data-bbox="547 1485 1439 1518">31: Paper does not pass the PF paper feed sensor 1. (Paper feeder 1)</p> <p data-bbox="547 1518 1439 1552">32: Paper remains at the PF paper feed sensor 1 when power is turned on. (Paper feeder 1)</p> <p data-bbox="547 1552 1439 1597">40: Paper does not arrive at the PF paper feed sensor 2. (Paper feeder 2)</p> <p data-bbox="547 1597 1439 1630">41: Paper does not pass the PF paper sensor 2.(Paper feeder 2)</p> <p data-bbox="547 1630 1439 1664">42: Paper remains at the PF paper feed sensor 2 when power is turned on. (Paper feeder 2)</p> <p data-bbox="547 1664 1439 1709">50: Paper does not arrive at the PF paper feed sensor 3. (Paper feeder 3)</p> <p data-bbox="547 1709 1439 1742">51: Paper does not pass the PF paper sensor 3.(Paper feeder 3)</p> <p data-bbox="547 1742 1439 1776">52: Paper remains at the PF paper feed sensor 3 when power is turned on. (Paper feeder 3)</p>
	#	Count.	Event							
Remembers 1 to 16 of occurrence. If the occurrence of the previous paper jam is less than 16, all of the paper jams are logged. When the occurrence exceeds 16, the oldest occurrence is removed.	The total page count at the time of the paper jam.	Log code (2 digit, hexadecimal, 5 categories) (a) Cause of a paper jam (b) Paper source (c) Paper size (d) Paper type (e) Paper eject								

Item No.	Description				
U000	No.	Items	Description		
	(7) cont.	Paper Jam Log	70: No original feed 71: An original jam in the original conveying section 1. 72: An original jam in the original conveying section 2. 73: An original jam in the original switchback section. 74: An original jam in the original switchback/feed section. 78: Top cover open. A1: Paper does not arrive at the duplex sensor. A2: Paper does not pass the duplex sensor. A3: Paper does not arrive at the duplex jam sensor. A4: Paper does not pass the duplex jam sensor. A5: Paper remains at the duplex sensor or the duplex jam sensor when power is turned on. E0: Paper misfeed occurs due to forced stop when an error occurs during printing. F0: Paper does not arrive at the paper full sensor. F1: Paper misfeed by system error. F2: Paper misfeed by system error.		
	(b) Detail of paper source (Hexadecimal)				
	00: MP tray 01: Cassette 1 02: Cassette 2 (paper feeder 1) 03: Cassette 3 (paper feeder 2) 04: Cassette 4 (paper feeder 3) 05 to 09: Reserved				
	(c) Detail of paper size (Hexadecimal)				
<table border="0"> <tbody> <tr> <td data-bbox="576 1249 855 1733"> 00: (Not specified) 01: Monarch 02: Business 03: International DL 04: International C5 05: Executive 06: Letter-R 86: Letter-E 07: Legal 08: A4R 88: A4E 09: B5R 89: B5E 0A: A3 </td> <td data-bbox="855 1249 1134 1733"> 0B: B4 0C: Ledger 0D: A5R 0E: A6 0F: B6 10: Commercial #9 11: Commercial #6 12: ISO B5 13: Custom size 1E: C4 1F: Postcard 20: Reply-paid post-card 21: Oficio II </td> <td data-bbox="1134 1249 1422 1733"> 22: Special 1 23: Special 2 24: A3 wide 25: Ledger wide 26: Full bleed paper (12 x 8) 27: 8K 28: 16K-R A8: 16K-E 32: Statement-R B2: Statement-E 33: Folio 34: Western type 2 35: Western type 4 </td> </tr> </tbody> </table>			00: (Not specified) 01: Monarch 02: Business 03: International DL 04: International C5 05: Executive 06: Letter-R 86: Letter-E 07: Legal 08: A4R 88: A4E 09: B5R 89: B5E 0A: A3	0B: B4 0C: Ledger 0D: A5R 0E: A6 0F: B6 10: Commercial #9 11: Commercial #6 12: ISO B5 13: Custom size 1E: C4 1F: Postcard 20: Reply-paid post-card 21: Oficio II	22: Special 1 23: Special 2 24: A3 wide 25: Ledger wide 26: Full bleed paper (12 x 8) 27: 8K 28: 16K-R A8: 16K-E 32: Statement-R B2: Statement-E 33: Folio 34: Western type 2 35: Western type 4
00: (Not specified) 01: Monarch 02: Business 03: International DL 04: International C5 05: Executive 06: Letter-R 86: Letter-E 07: Legal 08: A4R 88: A4E 09: B5R 89: B5E 0A: A3	0B: B4 0C: Ledger 0D: A5R 0E: A6 0F: B6 10: Commercial #9 11: Commercial #6 12: ISO B5 13: Custom size 1E: C4 1F: Postcard 20: Reply-paid post-card 21: Oficio II	22: Special 1 23: Special 2 24: A3 wide 25: Ledger wide 26: Full bleed paper (12 x 8) 27: 8K 28: 16K-R A8: 16K-E 32: Statement-R B2: Statement-E 33: Folio 34: Western type 2 35: Western type 4			

Item No.	Description			
U000	(7) cont. Paper Jam Log	Description		
		(d) Detail of paper type (Hexadecimal)		
		01: Plain 02: Transparency 03: Preprinted 04: Labels 05: Bond 06: Recycled 07: Vellum 08: Rough 09: Letterhead	0A: Color 0B: Prepunched 0C: Envelope 0D: Cardstock 0E: Coated 0F: 2nd side 10: Media 16 11: High quality	15: Custom 1 16: Custom 2 17: Custom 3 18: Custom 4 19: Custom 5 1A: Custom 6 1B: Custom 7 1C: Custom 8
		(e) Detail of paper eject location (Hexadecimal)		
	01: Face down (FD)			
	(8) Service Call Log	#	Count.	Service Code
		Remembers 1 to 8 of occurrence of self diagnostics error. If the occurrence of the previous diagnostics error is less than 8, all of the diagnostics errors are logged.	The total page count at the time of the self diagnostics error.	Self diagnostic error code (See page 1-4-6) Example: 01.6000 01: Self diagnostic error 6000: Self diagnostic error code number
	(9) Maintenance Log	#	Count.	Item
		Remembers 1 to 8 of occurrence of replacement. If the occurrence of the previous replacement of toner container is less than 8, all of the occurrences of replacement are logged.	The total page count at the time of the replacement of the toner container.	Code of maintenance replacing item (1 byte, 2 categories) First byte (Replacing item) 01: Toner container 02: Maintenance kit Second byte (Type of replacing item) 00: Black 01: MK-350/MK-370

Item No.	Description				
<p>U000</p>	Description				
	No.	Items	Description		
	(10)	Unknown Toner Log	<p>#</p> <p>Remembers 1 to 5 of occurrence of unknown toner detection. If the occurrence of the previous unknown toner detection is less than 5, all of the unknown toner detection are logged.</p>	<p>Count.</p> <p>The total page count at the time of the [Toner Empty] error with using an unknown toner container.</p>	<p>Item</p> <p>Unknown toner log code (1 byte, 2 categories)</p> <p>First byte 01: Fixed (Toner container)</p> <p>Second byte 00: Fixed (Black)</p>
	(11)	<p>Counter Log</p> <p>Comprised of three log counters including paper jams, self diagnostics errors, and replacement of the toner container.</p>	<p>(f) Paper jam</p> <p>Indicates the log counter of paper jams depending on location.</p> <p>Refer to Paper Jam Log.</p> <p>All instances including those are not occurred are displayed.</p>	<p>(g) Self diagnostic error</p> <p>Indicates the log counter of self diagnostics errors depending on cause.</p> <p>(See page 1-4-6)</p> <p>Example: C6000: 4</p> <p>Self diagnostics error 6000 has happened four times.</p>	<p>(h) Maintenance item replacing</p> <p>Indicates the log counter depending on the maintenance item for maintenance.</p> <p>T: Toner container 00: Black M: Maintenance kit 00: MK-350/MK-370</p> <p>Example: T00: 1 The toner container has been replaced once.</p>

Item No.	Description										
U002	<p>Setting the factory default data</p> <p>Description Restores the machine conditions to the factory default settings.</p> <p>Purpose To move the image scanner unit to the home position. (position in which the frame can be fixed).</p> <p>Method</p> <ol style="list-style-type: none"> 1. Press the start key. 2. Select [MODE1(ALL)] using the cursor up/down keys. 3. Press the start key. The image scanner returns to the home position. 4. Turn the main power switch off and on. * : An error code is displayed in case of an initialization error. When errors occurred, turn main power switch off then on, and execute initialization using maintenance item U002. <p>Error codes</p> <table border="1" data-bbox="336 875 1401 1066"> <thead> <tr> <th>Codes</th> <th>Description</th> </tr> </thead> <tbody> <tr> <td>0001</td> <td>Controller error</td> </tr> <tr> <td>0020</td> <td>Engine error</td> </tr> <tr> <td>0040</td> <td>Scanner error</td> </tr> </tbody> </table>	Codes	Description	0001	Controller error	0020	Engine error	0040	Scanner error		
Codes	Description										
0001	Controller error										
0020	Engine error										
0040	Scanner error										
U004	<p>Setting the machine number</p> <p>Description Sets or displays the machine number.</p> <p>Purpose To check or set the machine number.</p> <p>Method</p> <ol style="list-style-type: none"> 1. Press the start key. If the machine serial number of engine PWB matches with that of main PWB <table border="1" data-bbox="349 1422 1412 1505"> <thead> <tr> <th>Display</th> <th>Operation</th> </tr> </thead> <tbody> <tr> <td>MACHINE No.</td> <td>Displays the machine serial number</td> </tr> </tbody> </table> <p>If the machine serial number of engine PWB does not match with that of main PWB</p> <table border="1" data-bbox="349 1559 1412 1684"> <thead> <tr> <th>Display</th> <th>Operation</th> </tr> </thead> <tbody> <tr> <td>MACHINE No. (MAIN)</td> <td>Displays the machine serial number of main</td> </tr> <tr> <td>MACHINE No. (ENG)</td> <td>Displays the machine serial number of engine</td> </tr> </tbody> </table> <p>Setting Carry out if the machine serial number does not match.</p> <ol style="list-style-type: none"> 1. Press [EXECUTE]. 2. Press the start key. Writing of serial No. starts. <p>Completion Press the stop key. The screen for selecting a maintenance item No. is displayed.</p>	Display	Operation	MACHINE No.	Displays the machine serial number	Display	Operation	MACHINE No. (MAIN)	Displays the machine serial number of main	MACHINE No. (ENG)	Displays the machine serial number of engine
Display	Operation										
MACHINE No.	Displays the machine serial number										
Display	Operation										
MACHINE No. (MAIN)	Displays the machine serial number of main										
MACHINE No. (ENG)	Displays the machine serial number of engine										

Item No.	Description																
U203	<p data-bbox="288 241 587 275">Checking DP operation</p> <p data-bbox="288 311 440 340">Description</p> <p data-bbox="288 344 1046 376">Simulates the original conveying operation separately in the DP.</p> <p data-bbox="288 383 400 412">Purpose</p> <p data-bbox="288 416 612 448">To check the DP operation.</p> <p data-bbox="288 486 387 515">Method</p> <ol data-bbox="308 519 1091 620" style="list-style-type: none"> 1. Press the start key. 2. Place an original in the DP if running this simulation with paper. 3. Select the speed to be operated using the cursor up/down keys. <table border="1" data-bbox="336 631 1399 777"> <thead> <tr> <th data-bbox="336 631 639 676">Display</th> <th data-bbox="639 631 1399 676">Description</th> </tr> </thead> <tbody> <tr> <td data-bbox="336 676 639 721">NORMAL SPEED</td> <td data-bbox="639 676 1399 721">Normal reading (600 dpi)</td> </tr> <tr> <td data-bbox="336 721 639 777">HIGH SPEED</td> <td data-bbox="639 721 1399 777">High-speed reading</td> </tr> </tbody> </table> <ol data-bbox="308 786 1070 851" style="list-style-type: none"> 4. Press the start key. 5. Select the item to be operated using the cursor up/down keys. <table border="1" data-bbox="336 864 1399 1173"> <thead> <tr> <th data-bbox="336 864 639 909">Display</th> <th data-bbox="639 864 1399 909">Description</th> </tr> </thead> <tbody> <tr> <td data-bbox="336 909 639 987">CCD ADP (NON P)</td> <td data-bbox="639 909 1399 987">Without paper, single-sided original of CCD (continuous operation)</td> </tr> <tr> <td data-bbox="336 987 639 1032">CCD ADP</td> <td data-bbox="639 987 1399 1032">With paper, single-sided original of CCD</td> </tr> <tr> <td data-bbox="336 1032 639 1111">CCD RADP (NON P)</td> <td data-bbox="639 1032 1399 1111">Without paper, double-sided original of CCD (continuous operation)</td> </tr> <tr> <td data-bbox="336 1111 639 1173">CCD RADP</td> <td data-bbox="639 1111 1399 1173">With paper, double-sided original of CCD</td> </tr> </tbody> </table> <ol data-bbox="308 1184 916 1249" style="list-style-type: none"> 6. Press the start key. The operation starts. 7. To stop continuous operation, press the stop key. <p data-bbox="288 1288 440 1317">Completion</p> <p data-bbox="288 1321 1254 1352">Press the stop key. The screen for selecting a maintenance item No. is displayed.</p>	Display	Description	NORMAL SPEED	Normal reading (600 dpi)	HIGH SPEED	High-speed reading	Display	Description	CCD ADP (NON P)	Without paper, single-sided original of CCD (continuous operation)	CCD ADP	With paper, single-sided original of CCD	CCD RADP (NON P)	Without paper, double-sided original of CCD (continuous operation)	CCD RADP	With paper, double-sided original of CCD
Display	Description																
NORMAL SPEED	Normal reading (600 dpi)																
HIGH SPEED	High-speed reading																
Display	Description																
CCD ADP (NON P)	Without paper, single-sided original of CCD (continuous operation)																
CCD ADP	With paper, single-sided original of CCD																
CCD RADP (NON P)	Without paper, double-sided original of CCD (continuous operation)																
CCD RADP	With paper, double-sided original of CCD																

Item No.	Description						
U222	<p>Setting the IC card type</p> <p>Description Sets the type of IC card.</p> <p>Purpose To change the type of IC card.</p> <p>Setting</p> <ol style="list-style-type: none"> 1. Press the start key. 2. Select the item using the cursor up/down keys. <table border="1" data-bbox="338 598 1401 741"> <thead> <tr> <th>Display</th> <th>Description</th> </tr> </thead> <tbody> <tr> <td>Other</td> <td>The type of IC card is SSFC.</td> </tr> <tr> <td>SSFC</td> <td>The type of IC card is not SSFC.</td> </tr> </tbody> </table> <p>* : Initial setting: Other</p> <ol style="list-style-type: none"> 3. Press the start key. The setting is set. <p>Completion Press the stop key. The screen for selecting a maintenance item No. is displayed.</p>	Display	Description	Other	The type of IC card is SSFC.	SSFC	The type of IC card is not SSFC.
Display	Description						
Other	The type of IC card is SSFC.						
SSFC	The type of IC card is not SSFC.						
U250	<p>Setting the maintenance cycle</p> <p>Description Displays, clears and changes the maintenance cycle.</p> <p>Purpose To check and change the maintenance cycle.</p> <p>Method</p> <ol style="list-style-type: none"> 1. Press the start key. The currently set maintenance cycle is displayed. <p>Setting</p> <ol style="list-style-type: none"> 1. Select [M.CNT A] using the cursor up/down keys. 2. Change the setting using the cursor left/right keys or numeric keys. <table border="1" data-bbox="338 1397 1401 1491"> <thead> <tr> <th>Description</th> <th>Setting range</th> <th>Initial setting</th> </tr> </thead> <tbody> <tr> <td>Maintenance cycle</td> <td>0 to 9999999</td> <td>100000</td> </tr> </tbody> </table> <ol style="list-style-type: none"> 3. Press the start key. The value is set. <p>Clearing</p> <ol style="list-style-type: none"> 1. Select [CLEAR] using the cursor up/down keys. 2. Press the start key. The count is cleared. <p>Completion Press the stop key. The screen for selecting a maintenance item No. is displayed.</p>	Description	Setting range	Initial setting	Maintenance cycle	0 to 9999999	100000
Description	Setting range	Initial setting					
Maintenance cycle	0 to 9999999	100000					

Item No.	Description						
U251	<p data-bbox="288 244 823 275">Checking/clearing the maintenance count</p> <p data-bbox="288 315 440 347">Description Displays, clears and changes the maintenance count.</p> <p data-bbox="288 387 400 418">Purpose To check the maintenance count. Also to clear the count during maintenance service (replacing the maintenance kit).</p> <p data-bbox="288 521 387 553">Method 1. Press the start key. The maintenance count is displayed.</p> <p data-bbox="288 624 384 656">Setting 1. Select [M.CNT A] using the cursor up/down keys. 2. Change the setting using the cursor left/right keys or numeric keys.</p> <table border="1" data-bbox="336 734 1401 831"> <thead> <tr> <th data-bbox="336 734 868 779">Description</th> <th data-bbox="868 734 1134 779">Setting range</th> <th data-bbox="1134 734 1401 779">Initial setting</th> </tr> </thead> <tbody> <tr> <td data-bbox="336 779 868 831">Maintenance count</td> <td data-bbox="868 779 1134 831">0 to 9999999</td> <td data-bbox="1134 779 1401 831">0</td> </tr> </tbody> </table> <p data-bbox="288 842 767 873">3. Press the start key. The count is set.</p> <p data-bbox="288 913 400 945">Clearing 1. Select [CLEAR] using the cursor up/down keys. 2. Press the start key. The count is cleared.</p> <p data-bbox="288 1048 440 1079">Completion Press the stop key. The screen for selecting a maintenance item No. is displayed.</p>	Description	Setting range	Initial setting	Maintenance count	0 to 9999999	0
Description	Setting range	Initial setting					
Maintenance count	0 to 9999999	0					

Item No.	Description														
<p>U252</p>	<p>Setting the destination</p> <p>Description Switches the operations and screens of the machine according to the destination.</p> <p>Purpose To be executed after initializing the backup RAM, in order to return the setting to the value before replacement or initialization.</p> <p>Setting</p> <ol style="list-style-type: none"> 1. Press the start key. 2. Select the destination using the cursor up/down keys. <table border="1" data-bbox="347 629 1412 920"> <thead> <tr> <th>Display</th> <th>Description</th> </tr> </thead> <tbody> <tr> <td>Inch</td> <td>Inch (North America) specifications</td> </tr> <tr> <td>Europe Metric</td> <td>Metric (Europe) specifications</td> </tr> <tr> <td>Asia Pacific</td> <td>Metric (Asia Pacific) specifications</td> </tr> <tr> <td>Australia</td> <td>Australia specifications</td> </tr> <tr> <td>China</td> <td>China specifications</td> </tr> <tr> <td>Korea</td> <td>Korea specifications</td> </tr> </tbody> </table> <ol style="list-style-type: none"> 3. Press the start key. 4. Turn the main power switch off and on. <p>Supplement The specified initial settings are provided according to the destinations in the maintenance items below. To change the initial settings in those items, be sure to run maintenance item U021 after changing the destination.</p>	Display	Description	Inch	Inch (North America) specifications	Europe Metric	Metric (Europe) specifications	Asia Pacific	Metric (Asia Pacific) specifications	Australia	Australia specifications	China	China specifications	Korea	Korea specifications
Display	Description														
Inch	Inch (North America) specifications														
Europe Metric	Metric (Europe) specifications														
Asia Pacific	Metric (Asia Pacific) specifications														
Australia	Australia specifications														
China	China specifications														
Korea	Korea specifications														
<p>U253</p>	<p>Switching between double and single counts</p> <p>Description Switches the count system for the total counter and other counters.</p> <p>Purpose Used to select, according to the preference of the user (copy service provider), if folio size paper is to be counted as one sheet (single count) or two sheets (double count).</p> <p>Setting</p> <ol style="list-style-type: none"> 1. Press the start key. 2. Select the count system using the cursor up/down keys. <table border="1" data-bbox="336 1610 1401 1753"> <thead> <tr> <th>Display</th> <th>Description</th> </tr> </thead> <tbody> <tr> <td>SGL COUNT(ALL)</td> <td>Single count for all size paper</td> </tr> <tr> <td>DBL COUNT(FOLIO)</td> <td>Double count for Folio size or larger</td> </tr> </tbody> </table> <p>* : Initial setting: DBL COUNT(FOLIO)</p> <ol style="list-style-type: none"> 3. Press the start key. The setting is set. <p>Completion Press the stop key. The screen for selecting a maintenance item No. is displayed.</p>	Display	Description	SGL COUNT(ALL)	Single count for all size paper	DBL COUNT(FOLIO)	Double count for Folio size or larger								
Display	Description														
SGL COUNT(ALL)	Single count for all size paper														
DBL COUNT(FOLIO)	Double count for Folio size or larger														

Item No.	Description						
U260	<p>Selecting the timing for copy counting</p> <p>Description Changes the copy count timing for the total counter and other counters.</p> <p>Purpose To be set according to user request.</p> <p>Setting</p> <ol style="list-style-type: none"> 1. Press the start key. 2. Select the copy count timing using the cursor up/down keys. <table border="1" data-bbox="338 595 1401 741"> <thead> <tr> <th>Display</th> <th>Description</th> </tr> </thead> <tbody> <tr> <td>FEED</td> <td>When secondary paper feed starts</td> </tr> <tr> <td>EJECT</td> <td>When the paper is ejected</td> </tr> </tbody> </table> <p>* : Initial setting: EJECT</p> <ol style="list-style-type: none"> 3. Press the start key. The setting is set. <p>Completion Press the stop key. The screen for selecting a maintenance item No. is displayed.</p>	Display	Description	FEED	When secondary paper feed starts	EJECT	When the paper is ejected
Display	Description						
FEED	When secondary paper feed starts						
EJECT	When the paper is ejected						
U285	<p>Setting service status page</p> <p>Description Determines displaying the digital dot coverage report on reporting.</p> <p>Purpose According to user request, changes the setting.</p> <p>Setting</p> <ol style="list-style-type: none"> 1. Press the start key. 2. Select ON or OFF using the cursor up/down keys. <table border="1" data-bbox="338 1498 1401 1644"> <thead> <tr> <th>Display</th> <th>Description</th> </tr> </thead> <tbody> <tr> <td>ON</td> <td>Displays the digital dot coverage</td> </tr> <tr> <td>OFF</td> <td>Not to display the digital dot coverage</td> </tr> </tbody> </table> <p>* : Initial setting: ON</p> <ol style="list-style-type: none"> 3. Press the start key. The setting is set. <p>Completion Press the stop key. The screen for selecting a maintenance item No. is displayed.</p>	Display	Description	ON	Displays the digital dot coverage	OFF	Not to display the digital dot coverage
Display	Description						
ON	Displays the digital dot coverage						
OFF	Not to display the digital dot coverage						

Item No.	Description								
U332	<p>Setting the size conversion factor</p> <p>Description Sets the coefficient of nonstandard sizes in relation to the A4/Letter size. The coefficient set here is used to convert the black ratio in relation to the A4/Letter size and to display the result in user simulation.</p> <p>Purpose To set the coefficient for converting the black ratio for nonstandard sizes in relation to the A4/Letter size.</p> <p>Setting</p> <ol style="list-style-type: none"> 1. Press the start key. 2. Change the setting using the cursor left/right keys or numeric keys. <table border="1" data-bbox="338 701 1385 797"> <thead> <tr> <th>Display</th> <th>Description</th> <th>Setting range</th> <th>Initial setting</th> </tr> </thead> <tbody> <tr> <td>Calc. Rate</td> <td>Size parameter</td> <td>0.1 to 3.0</td> <td>1.0</td> </tr> </tbody> </table> <ol style="list-style-type: none"> 3. Press the start key. The value is set. <p>Completion Press the stop key. The screen for selecting a maintenance item No. is displayed.</p>	Display	Description	Setting range	Initial setting	Calc. Rate	Size parameter	0.1 to 3.0	1.0
Display	Description	Setting range	Initial setting						
Calc. Rate	Size parameter	0.1 to 3.0	1.0						
U345	<p>Setting the value for maintenance due indication</p> <p>Description Sets when to display a message notifying that the time for maintenance is about to be reached, by setting the number of copies that can be made before the current maintenance cycle ends. When the difference between the number of copies of the maintenance cycle and that of the maintenance count reaches the set value, the message is displayed.</p> <p>Purpose To change the time for maintenance due indication.</p> <p>Setting</p> <ol style="list-style-type: none"> 1. Press the start key. 2. Select [COUNT] using the cursor up/down keys. 3. Change the setting using the cursor left/right keys. <table border="1" data-bbox="338 1460 1401 1626"> <thead> <tr> <th>Description</th> <th>Setting range</th> <th>Initial setting</th> </tr> </thead> <tbody> <tr> <td>Time for maintenance due indication (Remaining number of copies that can be made before the current maintenance cycle ends)</td> <td>0 to 9999</td> <td>0</td> </tr> </tbody> </table> <ol style="list-style-type: none"> 4. Press the start key. The value is set. <p>Clearing</p> <ol style="list-style-type: none"> 1. Select [CLEAR] using the cursor up/down keys. 2. Press the start key. The value is cleared. <p>Completion Press the stop key. The screen for selecting a maintenance item No. is displayed.</p>	Description	Setting range	Initial setting	Time for maintenance due indication (Remaining number of copies that can be made before the current maintenance cycle ends)	0 to 9999	0		
Description	Setting range	Initial setting							
Time for maintenance due indication (Remaining number of copies that can be made before the current maintenance cycle ends)	0 to 9999	0							

Item No.	Description												
U411	<p data-bbox="287 241 750 275">Adjusting the scanner automatically</p> <p data-bbox="287 309 438 342">Description</p> <p data-bbox="287 344 1431 412">Uses a specified original and automatically adjusts the following items in the scanner and the DP scanning sections.</p> <p data-bbox="287 414 1431 481">Scanner section: Original size magnification, leading edge timing, center line, input gamma, input gamma in monochrome mode and matrix</p> <p data-bbox="287 483 1244 517">DP scanning section: Original size magnification, leading edge timing, center line</p> <p data-bbox="287 519 399 553">Purpose</p> <p data-bbox="287 555 1431 589">To perform automatic adjustment of various items in the scanner and the DP scanning sections.</p> <p data-bbox="287 622 391 656">Method</p> <ol data-bbox="303 658 981 725" style="list-style-type: none"> 1. Press the start key. 2. Select the item. The screen for executing is displayed. <table border="1" data-bbox="335 734 1401 1102"> <thead> <tr> <th data-bbox="343 745 566 813">Display</th> <th data-bbox="566 745 1098 813">Description</th> <th data-bbox="1098 745 1393 813">Original to be used for adjustment (P/N)</th> </tr> </thead> <tbody> <tr> <td data-bbox="343 824 566 936">ALL</td> <td data-bbox="566 824 1098 936">Performs automatic adjustment in the DP scanning section following automatic adjustment in the scanner section</td> <td data-bbox="1098 824 1393 936">302FZ56990/ 303LJ57010</td> </tr> <tr> <td data-bbox="343 947 566 1014">ADJUST TABLE</td> <td data-bbox="566 947 1098 1014">Automatic adjustment in the scanner section</td> <td data-bbox="1098 947 1393 1014">302FZ56990</td> </tr> <tr> <td data-bbox="343 1025 566 1093">ADJUST DP</td> <td data-bbox="566 1025 1098 1093">Automatic adjustment in the DP scanning section:</td> <td data-bbox="1098 1025 1393 1093">303LJ57010</td> </tr> </tbody> </table> <p data-bbox="287 1146 486 1180">Method: TABLE</p> <ol data-bbox="303 1182 1431 1563" style="list-style-type: none"> 1. Enter the target values which are shown on the specified original (P/N: 302FZ56990) executing maintenance item U425. 2. Set a specified original (P/N: 302FZ56990) on the platen. 3. Enter maintenance item U411. 4. Select [ADJUST TABLE] using the cursor up/down keys. 5. Press the start key. Auto adjustment starts. 6. When automatic adjustment has normally completed, [OK] is displayed. If a problem occurs during auto adjustment, [NG XX] (XX is replaced by an error code) is displayed and operation stops. Should this happen, determine the details of the problem and repeat the procedure from the beginning. 7. To return to the screen for selecting an item, press the stop key. <p data-bbox="287 1597 438 1630">Method: DP</p> <ol data-bbox="303 1632 1431 1910" style="list-style-type: none"> 1. Select [ADJUST DP] using the cursor up/down keys. 2. Set a specified original (P/N: 303LJ57010) in the DP. 3. Press the start key. Auto adjustment starts. 4. When automatic adjustment has normally completed, [OK] is displayed. If a problem occurs during auto adjustment, [NG XX] (XX is replaced by an error code) is displayed and operation stops. Should this happen, determine the details of the problem and repeat the procedure from the beginning. 5. To return to the screen for selecting an item, press the stop key. 	Display	Description	Original to be used for adjustment (P/N)	ALL	Performs automatic adjustment in the DP scanning section following automatic adjustment in the scanner section	302FZ56990/ 303LJ57010	ADJUST TABLE	Automatic adjustment in the scanner section	302FZ56990	ADJUST DP	Automatic adjustment in the DP scanning section:	303LJ57010
Display	Description	Original to be used for adjustment (P/N)											
ALL	Performs automatic adjustment in the DP scanning section following automatic adjustment in the scanner section	302FZ56990/ 303LJ57010											
ADJUST TABLE	Automatic adjustment in the scanner section	302FZ56990											
ADJUST DP	Automatic adjustment in the DP scanning section:	303LJ57010											

Item No.	Description																																																						
U411	<p data-bbox="288 241 448 271">Error Codes</p> <table border="1" data-bbox="336 286 1401 1753"> <thead> <tr> <th data-bbox="336 286 491 331">Codes</th> <th data-bbox="491 286 1401 331">Description</th> </tr> </thead> <tbody> <tr><td data-bbox="336 331 491 376">01</td><td data-bbox="491 331 1401 376">Black band detection error (scanner leading edge registration)</td></tr> <tr><td data-bbox="336 376 491 421">02</td><td data-bbox="491 376 1401 421">Black band detection error (scanner center line)</td></tr> <tr><td data-bbox="336 421 491 465">03</td><td data-bbox="491 421 1401 465">Black band detection error (scanner main scanning direction magnification)</td></tr> <tr><td data-bbox="336 465 491 510">04</td><td data-bbox="491 465 1401 510">Black band is not detected (scanner leading edge registration)</td></tr> <tr><td data-bbox="336 510 491 555">05</td><td data-bbox="491 510 1401 555">Black band is not detected (scanner center line)</td></tr> <tr><td data-bbox="336 555 491 600">06</td><td data-bbox="491 555 1401 600">Black band is not detected (scanner main scanning direction magnification)</td></tr> <tr><td data-bbox="336 600 491 645">07</td><td data-bbox="491 600 1401 645">Black band is not detected (scanner auxiliary scanning direction magnification)</td></tr> <tr><td data-bbox="336 645 491 689">08</td><td data-bbox="491 645 1401 689">Black band is not detected (DP main scanning direction magnification far end)</td></tr> <tr><td data-bbox="336 689 491 734">09</td><td data-bbox="491 689 1401 734">Black band is not detected (DP main scanning direction magnification near end)</td></tr> <tr><td data-bbox="336 734 491 779">0a</td><td data-bbox="491 734 1401 779">Black band is not detected (DP auxiliary scanning direction magnification leading edge)</td></tr> <tr><td data-bbox="336 779 491 824">0b</td><td data-bbox="491 779 1401 824">Black band is not detected (DP auxiliary scanning direction magnification leading edge original check)</td></tr> <tr><td data-bbox="336 824 491 869">0c</td><td data-bbox="491 824 1401 869">Black band is not detected (DP auxiliary scanning direction trailing edge)</td></tr> <tr><td data-bbox="336 869 491 913">0d</td><td data-bbox="491 869 1401 913">Black band is not detected (DP auxiliary scanning direction trailing edge 2)</td></tr> <tr><td data-bbox="336 913 491 958">0e</td><td data-bbox="491 913 1401 958">DMA time out</td></tr> <tr><td data-bbox="336 958 491 1003">0f</td><td data-bbox="491 958 1401 1003">Auxiliary scanning direction magnification error</td></tr> <tr><td data-bbox="336 1003 491 1048">10</td><td data-bbox="491 1003 1401 1048">Auxiliary scanning direction leading edge detection error</td></tr> <tr><td data-bbox="336 1048 491 1093">11</td><td data-bbox="491 1048 1401 1093">Auxiliary scanning direction trailing edge detection error</td></tr> <tr><td data-bbox="336 1093 491 1137">12</td><td data-bbox="491 1093 1401 1137">Auxiliary scanning direction skew 1.5 error</td></tr> <tr><td data-bbox="336 1137 491 1182">13</td><td data-bbox="491 1137 1401 1182">Maintenance request error</td></tr> <tr><td data-bbox="336 1182 491 1227">14</td><td data-bbox="491 1182 1401 1227">Main scanning direction center line error</td></tr> <tr><td data-bbox="336 1227 491 1272">15</td><td data-bbox="491 1227 1401 1272">Main scanning direction skew 1.5 error</td></tr> <tr><td data-bbox="336 1272 491 1317">16</td><td data-bbox="491 1272 1401 1317">Main scanning direction magnification error</td></tr> <tr><td data-bbox="336 1317 491 1361">17</td><td data-bbox="491 1317 1401 1361">Service call error</td></tr> <tr><td data-bbox="336 1361 491 1406">18</td><td data-bbox="491 1361 1401 1406">DP paper misfeed error</td></tr> <tr><td data-bbox="336 1406 491 1451">19</td><td data-bbox="491 1406 1401 1451">PWB replacement error</td></tr> <tr><td data-bbox="336 1451 491 1496">1a</td><td data-bbox="491 1451 1401 1496">Original error</td></tr> </tbody> </table> <p data-bbox="288 1800 440 1830">Completion</p> <p data-bbox="288 1834 1206 1863">Press the stop key. The screen for selecting a maintenance item is displayed.</p>	Codes	Description	01	Black band detection error (scanner leading edge registration)	02	Black band detection error (scanner center line)	03	Black band detection error (scanner main scanning direction magnification)	04	Black band is not detected (scanner leading edge registration)	05	Black band is not detected (scanner center line)	06	Black band is not detected (scanner main scanning direction magnification)	07	Black band is not detected (scanner auxiliary scanning direction magnification)	08	Black band is not detected (DP main scanning direction magnification far end)	09	Black band is not detected (DP main scanning direction magnification near end)	0a	Black band is not detected (DP auxiliary scanning direction magnification leading edge)	0b	Black band is not detected (DP auxiliary scanning direction magnification leading edge original check)	0c	Black band is not detected (DP auxiliary scanning direction trailing edge)	0d	Black band is not detected (DP auxiliary scanning direction trailing edge 2)	0e	DMA time out	0f	Auxiliary scanning direction magnification error	10	Auxiliary scanning direction leading edge detection error	11	Auxiliary scanning direction trailing edge detection error	12	Auxiliary scanning direction skew 1.5 error	13	Maintenance request error	14	Main scanning direction center line error	15	Main scanning direction skew 1.5 error	16	Main scanning direction magnification error	17	Service call error	18	DP paper misfeed error	19	PWB replacement error	1a	Original error
Codes	Description																																																						
01	Black band detection error (scanner leading edge registration)																																																						
02	Black band detection error (scanner center line)																																																						
03	Black band detection error (scanner main scanning direction magnification)																																																						
04	Black band is not detected (scanner leading edge registration)																																																						
05	Black band is not detected (scanner center line)																																																						
06	Black band is not detected (scanner main scanning direction magnification)																																																						
07	Black band is not detected (scanner auxiliary scanning direction magnification)																																																						
08	Black band is not detected (DP main scanning direction magnification far end)																																																						
09	Black band is not detected (DP main scanning direction magnification near end)																																																						
0a	Black band is not detected (DP auxiliary scanning direction magnification leading edge)																																																						
0b	Black band is not detected (DP auxiliary scanning direction magnification leading edge original check)																																																						
0c	Black band is not detected (DP auxiliary scanning direction trailing edge)																																																						
0d	Black band is not detected (DP auxiliary scanning direction trailing edge 2)																																																						
0e	DMA time out																																																						
0f	Auxiliary scanning direction magnification error																																																						
10	Auxiliary scanning direction leading edge detection error																																																						
11	Auxiliary scanning direction trailing edge detection error																																																						
12	Auxiliary scanning direction skew 1.5 error																																																						
13	Maintenance request error																																																						
14	Main scanning direction center line error																																																						
15	Main scanning direction skew 1.5 error																																																						
16	Main scanning direction magnification error																																																						
17	Service call error																																																						
18	DP paper misfeed error																																																						
19	PWB replacement error																																																						
1a	Original error																																																						

Item No.	Description																																		
U425	<p data-bbox="288 241 512 275">Setting the target</p> <p data-bbox="288 311 440 340">Description Enters the lab values that is indicated on the back of the chart (P/N: 302FZ56990) used for adjustment.</p> <p data-bbox="288 416 400 445">Purpose Performs data input in order to correct for differences in originals during automatic adjustment.</p> <p data-bbox="288 521 387 551">Method</p> <ol data-bbox="304 555 999 618" style="list-style-type: none"> 1. Press the start key. 2. Select the item to be set using the cursor up/down keys. <table border="1" data-bbox="336 633 1401 1160"> <thead> <tr> <th data-bbox="336 633 639 678">Display</th> <th data-bbox="639 633 1401 678">Description</th> </tr> </thead> <tbody> <tr> <td data-bbox="336 678 639 723">N875</td> <td data-bbox="639 678 1401 723">Setting the N875 patch for the original for adjustment</td> </tr> <tr> <td data-bbox="336 723 639 768">N475</td> <td data-bbox="639 723 1401 768">Setting the N475 patch for the original for adjustment</td> </tr> <tr> <td data-bbox="336 768 639 813">N125</td> <td data-bbox="639 768 1401 813">Setting the N125 patch for the original for adjustment</td> </tr> <tr> <td data-bbox="336 813 639 857">CYAN</td> <td data-bbox="639 813 1401 857">Setting the cyan patch for the original for adjustment</td> </tr> <tr> <td data-bbox="336 857 639 902">MAGENTA</td> <td data-bbox="639 857 1401 902">Setting the magenta patch for the original for adjustment</td> </tr> <tr> <td data-bbox="336 902 639 947">YELLOW</td> <td data-bbox="639 902 1401 947">Setting the yellow patch for the original for adjustment</td> </tr> <tr> <td data-bbox="336 947 639 992">RED</td> <td data-bbox="639 947 1401 992">Setting the red patch for the original for adjustment</td> </tr> <tr> <td data-bbox="336 992 639 1037">GREEN</td> <td data-bbox="639 992 1401 1037">Setting the green patch for the original for adjustment</td> </tr> <tr> <td data-bbox="336 1037 639 1081">BLUE</td> <td data-bbox="639 1037 1401 1081">Setting the blue patch for the original for adjustment</td> </tr> <tr> <td data-bbox="336 1081 639 1160">ADJUST ORIGINAL</td> <td data-bbox="639 1081 1401 1160">Setting the main and auxiliary scanning directions</td> </tr> </tbody> </table> <ol data-bbox="304 1171 999 1200" style="list-style-type: none"> 3. Select the item to be set using the cursor up/down keys. <table border="1" data-bbox="336 1216 1401 1406"> <thead> <tr> <th data-bbox="336 1216 639 1261">Display</th> <th data-bbox="639 1216 1018 1261">Description</th> <th data-bbox="1018 1216 1401 1261">Setting range</th> </tr> </thead> <tbody> <tr> <td data-bbox="336 1261 639 1305">L</td> <td data-bbox="639 1261 1018 1305">Setting the L value</td> <td data-bbox="1018 1261 1401 1305">0.0 to 100.0</td> </tr> <tr> <td data-bbox="336 1305 639 1350">a</td> <td data-bbox="639 1305 1018 1350">Setting the a value</td> <td data-bbox="1018 1305 1401 1350">-200.0 to 200.0</td> </tr> <tr> <td data-bbox="336 1350 639 1406">b</td> <td data-bbox="639 1350 1018 1406">Setting the b value</td> <td data-bbox="1018 1350 1401 1406">-200.0 to 200.0</td> </tr> </tbody> </table> <ol data-bbox="304 1417 1406 1514" style="list-style-type: none"> 4. Enters the value that is indicated on the back of the chart using the cursor left/right keys or numeric keys. 5. Press the start key. The value is set. 	Display	Description	N875	Setting the N875 patch for the original for adjustment	N475	Setting the N475 patch for the original for adjustment	N125	Setting the N125 patch for the original for adjustment	CYAN	Setting the cyan patch for the original for adjustment	MAGENTA	Setting the magenta patch for the original for adjustment	YELLOW	Setting the yellow patch for the original for adjustment	RED	Setting the red patch for the original for adjustment	GREEN	Setting the green patch for the original for adjustment	BLUE	Setting the blue patch for the original for adjustment	ADJUST ORIGINAL	Setting the main and auxiliary scanning directions	Display	Description	Setting range	L	Setting the L value	0.0 to 100.0	a	Setting the a value	-200.0 to 200.0	b	Setting the b value	-200.0 to 200.0
Display	Description																																		
N875	Setting the N875 patch for the original for adjustment																																		
N475	Setting the N475 patch for the original for adjustment																																		
N125	Setting the N125 patch for the original for adjustment																																		
CYAN	Setting the cyan patch for the original for adjustment																																		
MAGENTA	Setting the magenta patch for the original for adjustment																																		
YELLOW	Setting the yellow patch for the original for adjustment																																		
RED	Setting the red patch for the original for adjustment																																		
GREEN	Setting the green patch for the original for adjustment																																		
BLUE	Setting the blue patch for the original for adjustment																																		
ADJUST ORIGINAL	Setting the main and auxiliary scanning directions																																		
Display	Description	Setting range																																	
L	Setting the L value	0.0 to 100.0																																	
a	Setting the a value	-200.0 to 200.0																																	
b	Setting the b value	-200.0 to 200.0																																	

Item No.	Description
U425	<p>Setting: [ADJUST ORIGINAL]</p> <ol style="list-style-type: none"> Measure the distance from the left edge to the black belt (a) of the original at A, B and C. Measurement procedure <ol style="list-style-type: none"> Measure the distance from the edge to the black belt (a) of the original at A (30 mm from the leading edge), B (148.5 mm from the leading edge) and C (267 mm from the leading edge), respectively. Apply the following formula for the values obtained: $((A + C) / 2 + B) / 2$ Enter the values solved using the cursor left/right keys or numeric keys in [MAIN]. Press the start key. The value is set. Measure the distance from the leading edge to the black belt (b) of the original at D, E and F. Measurement procedure <ol style="list-style-type: none"> Measure the distance from the edge to the black belt (b) of the original at D (35 mm from the left edge), E (110 mm from the left edge) and F (185 mm from the left edge), respectively. Apply the following formula for the values obtained: $((D + F) / 2 + E) / 2$ Enter the values solved using the cursor left/right keys or numeric keys in [SUB LEAD]. Press the start key. The value is set. Measure the length (G) from the edge of the black belt (b) to edge of the black belt (c) of the original. Enter the measured value using the cursor left/right keys or numeric keys in [SUB TAIL]. Press the start key. The value is set. <div style="text-align: center; margin-top: 20px;"> <p style="text-align: center;">Original for adjustment (P/N: 302FZ56990)</p> </div> <div style="margin-top: 20px; border: 1px solid black; padding: 5px; width: fit-content; margin-left: auto; margin-right: auto;"> <p>[MAIN] = $((A + C) / 2 + B) / 2$</p> <p>[SUB LEAD] = $((D + F) / 2 + E) / 2$</p> <p>[SUB TAIL] = G</p> </div>

Figure 1-3-2

Completion

Press the stop key. The screen for selecting a maintenance item No. is displayed.

Item No.	Description																																																																												
U600	<p>Initializing all data</p> <p>Description Initializes software switches and all data in the backup data on the FAX control PWB, according to the destination and OEM. Executes the check of the file system, when abnormality of the file system is detected, initializes the file system, communication past record and register setting contents.</p> <p>Purpose To initialize the FAX control PWB.</p> <p>Method</p> <ol style="list-style-type: none"> 1. Press the start key. 2. Select [Execute]. The screen for entering the destination code and OEM code is displayed. 3. Select [Country Code] and enter a destination code using the numeric keys (refer to the destination code list on following for the destination code). 4. Press the start key. There is no operation necessary on this screen. The destination code and the OEM code are displayed with the values currently set. 5. Press the start key. Data initialization starts. To cancel data initialization, press the stop key. 6. After data initialization, the entered destination, OEM codes and ROM version are displayed. A ROM version displays three kinds, application, boot, and IPL. <p>Destination code list</p> <table border="1" data-bbox="336 1048 1401 1957"> <thead> <tr> <th>Code</th> <th>Destination</th> <th>Code</th> <th>Destination</th> </tr> </thead> <tbody> <tr> <td>000</td> <td>Japan</td> <td>253</td> <td>CTR21 (European nations)</td> </tr> <tr> <td>009</td> <td>Australia</td> <td></td> <td>Italy</td> </tr> <tr> <td>038</td> <td>China</td> <td></td> <td>Germany</td> </tr> <tr> <td>080</td> <td>Hong Kong</td> <td></td> <td>Spain</td> </tr> <tr> <td>084</td> <td>Indonesia</td> <td></td> <td>U.K.</td> </tr> <tr> <td>088</td> <td>Israel</td> <td></td> <td>Netherlands</td> </tr> <tr> <td>097</td> <td>Korea</td> <td></td> <td>Sweden</td> </tr> <tr> <td>108</td> <td>Malaysia</td> <td></td> <td>France</td> </tr> <tr> <td>126</td> <td>New Zealand</td> <td></td> <td>Austria</td> </tr> <tr> <td>136</td> <td>Peru</td> <td></td> <td>Switzerland</td> </tr> <tr> <td>137</td> <td>Philippines</td> <td></td> <td>Belgium</td> </tr> <tr> <td>152</td> <td>Middle East</td> <td></td> <td>Denmark</td> </tr> <tr> <td>156</td> <td>Singapore</td> <td></td> <td>Finland</td> </tr> <tr> <td>159</td> <td>South Africa</td> <td></td> <td>Portugal</td> </tr> <tr> <td>169</td> <td>Thailand</td> <td></td> <td>Ireland</td> </tr> <tr> <td>181</td> <td>U.S.A.</td> <td></td> <td>Norway</td> </tr> <tr> <td>242</td> <td>South America</td> <td>254</td> <td>Taiwan</td> </tr> <tr> <td>243</td> <td>Saudi Arabia</td> <td></td> <td></td> </tr> </tbody> </table>	Code	Destination	Code	Destination	000	Japan	253	CTR21 (European nations)	009	Australia		Italy	038	China		Germany	080	Hong Kong		Spain	084	Indonesia		U.K.	088	Israel		Netherlands	097	Korea		Sweden	108	Malaysia		France	126	New Zealand		Austria	136	Peru		Switzerland	137	Philippines		Belgium	152	Middle East		Denmark	156	Singapore		Finland	159	South Africa		Portugal	169	Thailand		Ireland	181	U.S.A.		Norway	242	South America	254	Taiwan	243	Saudi Arabia		
Code	Destination	Code	Destination																																																																										
000	Japan	253	CTR21 (European nations)																																																																										
009	Australia		Italy																																																																										
038	China		Germany																																																																										
080	Hong Kong		Spain																																																																										
084	Indonesia		U.K.																																																																										
088	Israel		Netherlands																																																																										
097	Korea		Sweden																																																																										
108	Malaysia		France																																																																										
126	New Zealand		Austria																																																																										
136	Peru		Switzerland																																																																										
137	Philippines		Belgium																																																																										
152	Middle East		Denmark																																																																										
156	Singapore		Finland																																																																										
159	South Africa		Portugal																																																																										
169	Thailand		Ireland																																																																										
181	U.S.A.		Norway																																																																										
242	South America	254	Taiwan																																																																										
243	Saudi Arabia																																																																												

Item No.	Description								
U601	<p>Initializing permanent data</p> <p>Description Initializes software switches on the FAX control PWB according to the destination and OEM.</p> <p>Purpose To initialize the FAX control PWB without changing user registration data.</p> <p>Method</p> <ol style="list-style-type: none"> 1. Press the start key. 2. Select [Execute]. The screen for entering the destination code and OEM code is displayed. 3. Select [Country Code] and enter a destination code using the numeric keys (refer to the destination code list on page 1-3-22 for the destination code). 4. Press the start key. There is no operation necessary on this screen. The destination code and the OEM code are displayed with the values currently set. 5. Press the start key. Data initialization starts. To cancel data initialization, press the back key. 6. After data initialization, the entered destination, OEM codes and ROM version are displayed. A ROM version displays three kinds, application, boot, and IPL. 								
U603	<p>Setting user data 1</p> <p>Description Makes user settings to enable the use of the machine as a fax.</p> <p>Purpose To be run after installation of the facsimile kit if necessary.</p> <p>Method</p> <ol style="list-style-type: none"> 1. Press the start key. 2. Select [LINE TYPE] and press the start key. 3. Select the setting using the cursor up/down keys. <table border="1" data-bbox="336 1301 1399 1494"> <thead> <tr> <th data-bbox="336 1301 639 1350">Display</th> <th data-bbox="639 1301 1399 1350">Description</th> </tr> </thead> <tbody> <tr> <td data-bbox="336 1350 639 1400">DTMF</td> <td data-bbox="639 1350 1399 1400">DTMF</td> </tr> <tr> <td data-bbox="336 1400 639 1449">10PPS</td> <td data-bbox="639 1400 1399 1449">10 PPS</td> </tr> <tr> <td data-bbox="336 1449 639 1494">20PPS</td> <td data-bbox="639 1449 1399 1494">20 PPS</td> </tr> </tbody> </table> <p>* : Initial setting: DTMF</p> <ol style="list-style-type: none"> 4. Press the start key. The setting is set. <p>Completion Press the stop key. The screen for selecting a maintenance item No. is displayed.</p>	Display	Description	DTMF	DTMF	10PPS	10 PPS	20PPS	20 PPS
Display	Description								
DTMF	DTMF								
10PPS	10 PPS								
20PPS	20 PPS								

Item No.	Description						
U604	<p>Setting user data 2</p> <p>Description Makes user settings to enable the use of the machine as a fax.</p> <p>Purpose Use this if the user wishes to adjust the number of rings that occur before the unit switches into fax receiving mode when fax/telephone auto-select is enabled.</p> <p>Method</p> <ol style="list-style-type: none"> 1. Press the start key. 2. Select [RINGS(F/P)#]. 3. Change the setting using the cursor left/right keys or numeric keys. <table border="1" data-bbox="336 667 1401 763"> <thead> <tr> <th data-bbox="336 667 868 712">Description</th> <th data-bbox="868 667 1098 712">Setting range</th> <th data-bbox="1098 667 1401 712">Initial setting</th> </tr> </thead> <tbody> <tr> <td data-bbox="336 712 868 763">Number of fax/telephone rings</td> <td data-bbox="868 712 1098 763">0 to 15</td> <td data-bbox="1098 712 1401 763">2 (120 V)/1 (220-240 V)</td> </tr> </tbody> </table> <p>* : If you set this to 0, the unit will start fax reception without any ringing.</p> <ol style="list-style-type: none"> 4. Press the start key. The value is set. <p>Completion Press the stop key. The screen for selecting a maintenance item No. is displayed.</p>	Description	Setting range	Initial setting	Number of fax/telephone rings	0 to 15	2 (120 V)/1 (220-240 V)
Description	Setting range	Initial setting					
Number of fax/telephone rings	0 to 15	2 (120 V)/1 (220-240 V)					
U605	<p>Clearing data</p> <p>Description Initializes data related to the fax transmission such as transmission history.</p> <p>Purpose To clear the transmission history.</p> <p>Method</p> <ol style="list-style-type: none"> 1. Press the start key. 2. Select [CLEAR COM.REC.]. 3. Press the start key. Initialization processing starts. When processing is finished, [Completed] is displayed. <p>Completion Press the stop key. The screen for selecting a maintenance item No. is displayed.</p>						

Item No.	Description																								
U610	<p data-bbox="288 241 504 275">Setting system 1</p> <p data-bbox="288 311 440 340">Description</p> <p data-bbox="288 344 1404 412">Makes settings for fax reception regarding the sizes of the fax paper and received images and automatic printing of the protocol list.</p> <p data-bbox="288 450 387 479">Method</p> <ol data-bbox="308 486 999 548" style="list-style-type: none"> 1. Press the start key. 2. Select the item to be set using the cursor up/down keys. <table border="1" data-bbox="336 562 1401 857"> <thead> <tr> <th data-bbox="336 562 639 607">Display</th> <th data-bbox="639 562 1401 607">Description</th> </tr> </thead> <tbody> <tr> <td data-bbox="336 607 639 689">CUT LINE:100%</td> <td data-bbox="639 607 1401 689">Sets the number of lines to be ignored when receiving a fax at 100% magnification.</td> </tr> <tr> <td data-bbox="336 689 639 772">CUT LINE:AUTO</td> <td data-bbox="639 689 1401 772">Sets the number of lines to be ignored when receiving a fax in the auto reduction mode.</td> </tr> <tr> <td data-bbox="336 772 639 857">CUT LINE:A4</td> <td data-bbox="639 772 1401 857">Sets the number of lines to be ignored when receiving a fax (A4R/LetterR) in the auto reduction mode.</td> </tr> </tbody> </table> <p data-bbox="288 904 1374 936">Setting the number of lines to be ignored when receiving a fax at 100% magnification</p> <p data-bbox="288 940 1433 1039">Sets the maximum number of lines to be ignored if the received data volume exceeds the recording capacity when recording the data at 100% magnification. If the number of excess lines is below the setting, those lines are ignored. If over the setting, they are recorded on the next page.</p> <ol data-bbox="308 1043 1126 1075" style="list-style-type: none"> 1. Change the setting using the cursor left/right keys or numeric keys. <table border="1" data-bbox="336 1088 1401 1252"> <thead> <tr> <th data-bbox="336 1088 823 1171">Description</th> <th data-bbox="823 1088 1003 1171">Setting range</th> <th data-bbox="1003 1088 1187 1171">Initial setting</th> <th data-bbox="1187 1088 1401 1171">Change in value per step</th> </tr> </thead> <tbody> <tr> <td data-bbox="336 1171 823 1252">Number of lines to be ignored when receiving at 100%</td> <td data-bbox="823 1171 1003 1252">0 to 22</td> <td data-bbox="1003 1171 1187 1252">3</td> <td data-bbox="1187 1171 1401 1252">16 lines</td> </tr> </tbody> </table> <p data-bbox="336 1261 1366 1326">* : Increase the setting if a blank second page is output, and decrease it if the received image does not include the entire transmitted data.</p> <ol data-bbox="308 1330 767 1361" style="list-style-type: none"> 2. Press the start key. The value is set. <p data-bbox="288 1397 1433 1429">Setting the number of lines to be ignored when receiving a fax in the auto reduction mode</p> <p data-bbox="288 1433 1433 1568">Sets the maximum number of lines to be ignored if the received data volume exceeds the recording capacity when the data is recorded in the auto reduction mode. If the number of excess lines is below the setting, those lines are ignored. If over the setting, the entire data on a page is further reduced so that it can be recorded on the same page.</p> <ol data-bbox="308 1572 1126 1603" style="list-style-type: none"> 1. Change the setting using the cursor left/right keys or numeric keys. <table border="1" data-bbox="336 1617 1401 1780"> <thead> <tr> <th data-bbox="336 1617 823 1700">Description</th> <th data-bbox="823 1617 1003 1700">Setting range</th> <th data-bbox="1003 1617 1187 1700">Initial setting</th> <th data-bbox="1187 1617 1401 1700">Change in value per step</th> </tr> </thead> <tbody> <tr> <td data-bbox="336 1700 823 1780">Number of lines to be ignored when receiving in the auto reduction mode</td> <td data-bbox="823 1700 1003 1780">0 to 22</td> <td data-bbox="1003 1700 1187 1780">0</td> <td data-bbox="1187 1700 1401 1780">16 lines</td> </tr> </tbody> </table> <p data-bbox="336 1789 1398 1888">* : Increase the setting if a page received in the reduction mode is over-reduced and too much trailing edge margin is left. Decrease it if the received image does not include all transmitted data.</p> <ol data-bbox="308 1892 767 1924" style="list-style-type: none"> 2. Press the start key. The value is set. 	Display	Description	CUT LINE:100%	Sets the number of lines to be ignored when receiving a fax at 100% magnification.	CUT LINE:AUTO	Sets the number of lines to be ignored when receiving a fax in the auto reduction mode.	CUT LINE:A4	Sets the number of lines to be ignored when receiving a fax (A4R/LetterR) in the auto reduction mode.	Description	Setting range	Initial setting	Change in value per step	Number of lines to be ignored when receiving at 100%	0 to 22	3	16 lines	Description	Setting range	Initial setting	Change in value per step	Number of lines to be ignored when receiving in the auto reduction mode	0 to 22	0	16 lines
Display	Description																								
CUT LINE:100%	Sets the number of lines to be ignored when receiving a fax at 100% magnification.																								
CUT LINE:AUTO	Sets the number of lines to be ignored when receiving a fax in the auto reduction mode.																								
CUT LINE:A4	Sets the number of lines to be ignored when receiving a fax (A4R/LetterR) in the auto reduction mode.																								
Description	Setting range	Initial setting	Change in value per step																						
Number of lines to be ignored when receiving at 100%	0 to 22	3	16 lines																						
Description	Setting range	Initial setting	Change in value per step																						
Number of lines to be ignored when receiving in the auto reduction mode	0 to 22	0	16 lines																						

Item No.	Description								
U610	<p data-bbox="288 241 1409 304">Setting the number of lines to be ignored when receiving a fax (A4R/LetterR) in the auto reduction mode</p> <p data-bbox="288 311 1433 409">Sets the maximum number of lines to be ignored if the received data volume exceeds the recording capacity when the data is recorded in the auto reduction mode onto A4R or LetterR paper under the conditions below.</p> <p data-bbox="288 416 1425 479">If the number of excess lines is below the setting, those lines are ignored. If over the setting, the entire data on a page is further reduced so that it can be recorded on the same page.</p> <p data-bbox="308 486 1126 517">1. Change the setting using the cursor left/right keys or numeric keys.</p> <table border="1" data-bbox="338 526 1401 728"> <thead> <tr> <th data-bbox="338 526 821 607">Description</th> <th data-bbox="821 526 1003 607">Setting range</th> <th data-bbox="1003 526 1187 607">Initial setting</th> <th data-bbox="1187 526 1401 607">Change in value per step</th> </tr> </thead> <tbody> <tr> <td data-bbox="338 607 821 728">Number of lines to be ignored when receiving a fax (A4R, letter) in the auto reduction mode</td> <td data-bbox="821 607 1003 728">0 to 22</td> <td data-bbox="1003 607 1187 728">0</td> <td data-bbox="1187 607 1401 728">16 lines</td> </tr> </tbody> </table> <p data-bbox="338 739 1396 837">* : Increase the setting if a page received in the reduction mode is over-reduced and too much trailing edge margin is left. Decrease it if the received image does not include all transmitted data.</p> <p data-bbox="308 844 767 875">2. Press the start key. The value is set.</p> <p data-bbox="288 913 440 945">Completion</p> <p data-bbox="288 952 1254 983">Press the stop key. The screen for selecting a maintenance item No. is displayed.</p>	Description	Setting range	Initial setting	Change in value per step	Number of lines to be ignored when receiving a fax (A4R, letter) in the auto reduction mode	0 to 22	0	16 lines
Description	Setting range	Initial setting	Change in value per step						
Number of lines to be ignored when receiving a fax (A4R, letter) in the auto reduction mode	0 to 22	0	16 lines						

Item No.	Description																										
U611	<p data-bbox="288 241 507 275">Setting system 2</p> <p data-bbox="288 311 440 340">Description</p> <p data-bbox="288 344 1005 374">Sets the number of adjustment lines for automatic reduction.</p> <p data-bbox="288 414 387 443">Method</p> <ol data-bbox="308 450 1000 515" style="list-style-type: none"> <li data-bbox="308 450 564 479">1. Press the start key. <li data-bbox="308 483 1000 515">2. Select the item to be set using the cursor up/down keys. <table border="1" data-bbox="336 526 1401 790"> <thead> <tr> <th data-bbox="336 526 639 571">Display</th> <th data-bbox="639 526 1401 571">Description</th> </tr> </thead> <tbody> <tr> <td data-bbox="336 571 639 616">ADJ LINES</td> <td data-bbox="639 571 1401 616">Sets the number of adjustment lines for automatic reduction.</td> </tr> <tr> <td data-bbox="336 616 639 705">ADJ LINES(A4)</td> <td data-bbox="639 616 1401 705">Sets the number of adjustment lines for automatic reduction when A4 paper is set.</td> </tr> <tr> <td data-bbox="336 705 639 790">ADJ LINES(LT)</td> <td data-bbox="639 705 1401 790">Sets the number of adjustment lines for automatic reduction when letter size paper is set.</td> </tr> </tbody> </table> <p data-bbox="288 828 1094 857">Setting the number of adjustment lines for automatic reduction</p> <p data-bbox="288 862 1005 891">Sets the number of adjustment lines for automatic reduction.</p> <ol data-bbox="308 898 1128 927" style="list-style-type: none"> <li data-bbox="308 898 1128 927">1. Change the setting using the cursor left/right keys or numeric keys. <table border="1" data-bbox="336 943 1401 1039"> <thead> <tr> <th data-bbox="336 943 975 987">Description</th> <th data-bbox="975 943 1187 987">Setting range</th> <th data-bbox="1187 943 1401 987">Initial setting</th> </tr> </thead> <tbody> <tr> <td data-bbox="336 987 975 1039">Number of adjustment lines for automatic reduction</td> <td data-bbox="975 987 1187 1039">0 to 22</td> <td data-bbox="1187 987 1401 1039">7</td> </tr> </tbody> </table> <ol data-bbox="308 1048 767 1077" style="list-style-type: none"> <li data-bbox="308 1048 767 1077">2. Press the start key. The value is set. <p data-bbox="288 1120 1369 1149">Setting the number of adjustment lines for automatic reduction when A4 paper is set</p> <p data-bbox="288 1153 1262 1182">Sets the number of adjustment lines for automatic reduction when A4 paper is set.</p> <ol data-bbox="308 1189 1128 1218" style="list-style-type: none"> <li data-bbox="308 1189 1128 1218">1. Change the setting using the cursor left/right keys or numeric keys. <table border="1" data-bbox="336 1234 1401 1364"> <thead> <tr> <th data-bbox="336 1234 975 1279">Description</th> <th data-bbox="975 1234 1187 1279">Setting range</th> <th data-bbox="1187 1234 1401 1279">Initial setting</th> </tr> </thead> <tbody> <tr> <td data-bbox="336 1279 975 1364">Number of adjustment lines for automatic reduction when A4 paper is set</td> <td data-bbox="975 1279 1187 1364">0 to 22</td> <td data-bbox="1187 1279 1401 1364">22</td> </tr> </tbody> </table> <ol data-bbox="308 1373 767 1402" style="list-style-type: none"> <li data-bbox="308 1373 767 1402">2. Press the start key. The value is set. <p data-bbox="288 1444 1410 1505">Setting the number of adjustment lines for automatic reduction when letter size paper is set</p> <p data-bbox="288 1509 1345 1538">Sets the number of adjustment lines for automatic reduction when letter size paper is set.</p> <ol data-bbox="308 1545 1128 1574" style="list-style-type: none"> <li data-bbox="308 1545 1128 1574">1. Change the setting using the cursor left/right keys or numeric keys. <table border="1" data-bbox="336 1590 1401 1720"> <thead> <tr> <th data-bbox="336 1590 975 1635">Description</th> <th data-bbox="975 1590 1187 1635">Setting range</th> <th data-bbox="1187 1590 1401 1635">Initial setting</th> </tr> </thead> <tbody> <tr> <td data-bbox="336 1635 975 1720">Number of adjustment lines for automatic reduction when letter size paper is set</td> <td data-bbox="975 1635 1187 1720">0 to 26</td> <td data-bbox="1187 1635 1401 1720">26</td> </tr> </tbody> </table> <ol data-bbox="308 1729 767 1758" style="list-style-type: none"> <li data-bbox="308 1729 767 1758">2. Press the start key. The value is set. <p data-bbox="288 1800 440 1830">Completion</p> <p data-bbox="288 1834 1256 1863">Press the stop key. The screen for selecting a maintenance item No. is displayed.</p>	Display	Description	ADJ LINES	Sets the number of adjustment lines for automatic reduction.	ADJ LINES(A4)	Sets the number of adjustment lines for automatic reduction when A4 paper is set.	ADJ LINES(LT)	Sets the number of adjustment lines for automatic reduction when letter size paper is set.	Description	Setting range	Initial setting	Number of adjustment lines for automatic reduction	0 to 22	7	Description	Setting range	Initial setting	Number of adjustment lines for automatic reduction when A4 paper is set	0 to 22	22	Description	Setting range	Initial setting	Number of adjustment lines for automatic reduction when letter size paper is set	0 to 26	26
Display	Description																										
ADJ LINES	Sets the number of adjustment lines for automatic reduction.																										
ADJ LINES(A4)	Sets the number of adjustment lines for automatic reduction when A4 paper is set.																										
ADJ LINES(LT)	Sets the number of adjustment lines for automatic reduction when letter size paper is set.																										
Description	Setting range	Initial setting																									
Number of adjustment lines for automatic reduction	0 to 22	7																									
Description	Setting range	Initial setting																									
Number of adjustment lines for automatic reduction when A4 paper is set	0 to 22	22																									
Description	Setting range	Initial setting																									
Number of adjustment lines for automatic reduction when letter size paper is set	0 to 26	26																									

Item No.	Description																				
U612	<p data-bbox="288 241 507 275">Setting system 3</p> <p data-bbox="288 311 440 340">Description</p> <p data-bbox="288 344 1398 409">Makes settings for fax transmission regarding operation and automatic printing of the protocol list.</p> <p data-bbox="288 450 387 479">Method</p> <ol data-bbox="308 486 999 551" style="list-style-type: none"> 1. Press the start key. 2. Select the item to be set using the cursor up/down keys. <table border="1" data-bbox="336 562 1401 741"> <thead> <tr> <th data-bbox="336 562 639 607">Display</th> <th data-bbox="639 562 1401 607">Description</th> </tr> </thead> <tbody> <tr> <td data-bbox="336 607 639 696">AUTO REDUCTION</td> <td data-bbox="639 607 1401 696">Selects if auto reduction in the auxiliary direction is to be performed.</td> </tr> <tr> <td data-bbox="336 696 639 741">PROTOCOL LIST</td> <td data-bbox="639 696 1401 741">Sets the automatic printing of the protocol list.</td> </tr> </tbody> </table> <p data-bbox="288 786 1185 815">Selecting if auto reduction in the auxiliary direction is to be performed</p> <p data-bbox="288 819 1426 884">Sets whether to receive a long document by automatically reducing it in the auxiliary direction or at 100% magnification.</p> <ol data-bbox="308 891 911 920" style="list-style-type: none"> 1. Select the setting using the cursor left/right keys. <table border="1" data-bbox="336 931 1401 1111"> <thead> <tr> <th data-bbox="336 931 639 976">Display</th> <th data-bbox="639 931 1401 976">Description</th> </tr> </thead> <tbody> <tr> <td data-bbox="336 976 639 1066">ON</td> <td data-bbox="639 976 1401 1066">Auto reduction is performed if the received document is longer than the fax paper.</td> </tr> <tr> <td data-bbox="336 1066 639 1111">OFF</td> <td data-bbox="639 1066 1401 1111">Auto reduction is not performed.</td> </tr> </tbody> </table> <p data-bbox="336 1122 579 1151">* : Initial setting: ON</p> <ol data-bbox="308 1158 783 1187" style="list-style-type: none"> 2. Press the start key. The setting is set. <p data-bbox="288 1227 914 1256">Setting the automatic printing of the protocol list</p> <p data-bbox="288 1261 884 1290">Sets if the protocol list is automatically printed out.</p> <ol data-bbox="308 1296 911 1326" style="list-style-type: none"> 1. Select the setting using the cursor left/right keys. <table border="1" data-bbox="336 1337 1401 1599"> <thead> <tr> <th data-bbox="336 1337 639 1382">Display</th> <th data-bbox="639 1337 1401 1382">Description</th> </tr> </thead> <tbody> <tr> <td data-bbox="336 1382 639 1471">ON</td> <td data-bbox="639 1382 1401 1471">The protocol list is automatically printed out after communication.</td> </tr> <tr> <td data-bbox="336 1471 639 1516">OFF</td> <td data-bbox="639 1471 1401 1516">The protocol list is not printed out automatically.</td> </tr> <tr> <td data-bbox="336 1516 639 1599">ERR</td> <td data-bbox="639 1516 1401 1599">The protocol list is automatically printed out after communication only if a communication error occurs.</td> </tr> </tbody> </table> <p data-bbox="336 1610 592 1639">* : Initial setting: OFF</p> <ol data-bbox="308 1646 783 1675" style="list-style-type: none"> 2. Press the start key. The setting is set. <p data-bbox="288 1715 440 1744">Completion</p> <p data-bbox="288 1749 1254 1778">Press the stop key. The screen for selecting a maintenance item No. is displayed.</p>	Display	Description	AUTO REDUCTION	Selects if auto reduction in the auxiliary direction is to be performed.	PROTOCOL LIST	Sets the automatic printing of the protocol list.	Display	Description	ON	Auto reduction is performed if the received document is longer than the fax paper.	OFF	Auto reduction is not performed.	Display	Description	ON	The protocol list is automatically printed out after communication.	OFF	The protocol list is not printed out automatically.	ERR	The protocol list is automatically printed out after communication only if a communication error occurs.
Display	Description																				
AUTO REDUCTION	Selects if auto reduction in the auxiliary direction is to be performed.																				
PROTOCOL LIST	Sets the automatic printing of the protocol list.																				
Display	Description																				
ON	Auto reduction is performed if the received document is longer than the fax paper.																				
OFF	Auto reduction is not performed.																				
Display	Description																				
ON	The protocol list is automatically printed out after communication.																				
OFF	The protocol list is not printed out automatically.																				
ERR	The protocol list is automatically printed out after communication only if a communication error occurs.																				

Item No.	Description												
U620	<p>Setting the remote switching mode</p> <p>Description Sets the signal detection method for remote switching. Be sure to change the setting according to the type of telephone connected to the machine.</p> <p>Setting</p> <ol style="list-style-type: none"> 1. Press the start key. 2. Select [REMORT MODE] and press the start key. 3. Select the mode using the cursor up/down keys. <table border="1" data-bbox="336 598 1401 741"> <thead> <tr> <th>Display</th> <th>Description</th> </tr> </thead> <tbody> <tr> <td>ONE</td> <td>One-shot detection</td> </tr> <tr> <td>CONT</td> <td>Continuous detection</td> </tr> </tbody> </table> <p>* : Initial setting: ONE</p> <ol style="list-style-type: none"> 4. Press the start key. The setting is set. <p>Completion Press the stop key. The screen for selecting a maintenance item No. is displayed.</p>	Display	Description	ONE	One-shot detection	CONT	Continuous detection						
Display	Description												
ONE	One-shot detection												
CONT	Continuous detection												
U625	<p>Setting the transmission system 1</p> <p>Description Makes settings for the auto redialing interval and the number of times of auto redialing.</p> <p>Purpose Change the setting to prevent the following problems: fax transmission is not possible due to too short redial interval, or fax transmission takes too much time to complete due to too long redial interval.</p> <p>Method</p> <ol style="list-style-type: none"> 1. Press the start key. 2. Select the item to be set using the cursor up/down keys. <table border="1" data-bbox="336 1359 1401 1503"> <thead> <tr> <th>Display</th> <th>Description</th> </tr> </thead> <tbody> <tr> <td>INTERVAL</td> <td>Setting the auto redialing interval</td> </tr> <tr> <td>TIMES</td> <td>Setting the number of times of auto redialing</td> </tr> </tbody> </table> <p>Setting the auto redialing interval</p> <ol style="list-style-type: none"> 1. Change the setting using the cursor left/right keys. <table border="1" data-bbox="336 1626 1401 1720"> <thead> <tr> <th>Description</th> <th>Setting range</th> <th>Initial setting</th> </tr> </thead> <tbody> <tr> <td>Redialing interval</td> <td>1 to 9 (min.)</td> <td>3 (120 V)/2 (220-240 V)</td> </tr> </tbody> </table> <ol style="list-style-type: none"> 2. Press the start key. The value is set. 	Display	Description	INTERVAL	Setting the auto redialing interval	TIMES	Setting the number of times of auto redialing	Description	Setting range	Initial setting	Redialing interval	1 to 9 (min.)	3 (120 V)/2 (220-240 V)
Display	Description												
INTERVAL	Setting the auto redialing interval												
TIMES	Setting the number of times of auto redialing												
Description	Setting range	Initial setting											
Redialing interval	1 to 9 (min.)	3 (120 V)/2 (220-240 V)											

Item No.	Description																				
U625	<p>Setting the number of times of auto redialing</p> <p>1. Change the setting using the cursor left/right keys or numeric keys.</p> <table border="1" data-bbox="336 320 1401 416"> <thead> <tr> <th data-bbox="336 320 868 365">Description</th> <th data-bbox="868 320 1096 365">Setting range</th> <th data-bbox="1096 320 1401 365">Initial setting</th> </tr> </thead> <tbody> <tr> <td data-bbox="336 365 868 416">Number of redialing</td> <td data-bbox="868 365 1096 416">0 to 15</td> <td data-bbox="1096 365 1401 416">2 (120 V)/3 (220-240 V)</td> </tr> </tbody> </table> <p>2. Press the start key. The value is set.</p> <p>Completion Press the stop key. The screen for selecting a maintenance item No. is displayed.</p>	Description	Setting range	Initial setting	Number of redialing	0 to 15	2 (120 V)/3 (220-240 V)														
Description	Setting range	Initial setting																			
Number of redialing	0 to 15	2 (120 V)/3 (220-240 V)																			
U630	<p>Setting communication control 1</p> <p>Description Makes settings for fax transmission regarding the communication.</p> <p>Method</p> <p>1. Press the start key. 2. Select the item to be set using the cursor up/down keys.</p> <table border="1" data-bbox="336 862 1401 1169"> <thead> <tr> <th data-bbox="336 862 639 907">Display</th> <th data-bbox="639 862 1401 907">Description</th> </tr> </thead> <tbody> <tr> <td data-bbox="336 907 639 952">TX SPEED</td> <td data-bbox="639 907 1401 952">Sets the communication starting speed.</td> </tr> <tr> <td data-bbox="336 952 639 996">RX SPEED</td> <td data-bbox="639 952 1401 996">Sets the reception speed.</td> </tr> <tr> <td data-bbox="336 996 639 1086">TX ECHO</td> <td data-bbox="639 996 1401 1086">Sets the waiting period to prevent echo problems at the sender.</td> </tr> <tr> <td data-bbox="336 1086 639 1169">RX ECHO</td> <td data-bbox="639 1086 1401 1169">Sets the waiting period to prevent echo problems at the receiver.</td> </tr> </tbody> </table> <p>Setting the communication starting speed Sets the initial communication speed when starting transmission. When the destination unit has V.34 capability, V.34 is selected for transmission, regardless of this setting.</p> <p>1. Select the setting using the cursor up/down keys.</p> <table border="1" data-bbox="336 1361 1401 1601"> <thead> <tr> <th data-bbox="336 1361 639 1406">Display</th> <th data-bbox="639 1361 1401 1406">Description</th> </tr> </thead> <tbody> <tr> <td data-bbox="336 1406 639 1451">14400bps/V17</td> <td data-bbox="639 1406 1401 1451">V.17, 14400 bps</td> </tr> <tr> <td data-bbox="336 1451 639 1496">9600bps/V29</td> <td data-bbox="639 1451 1401 1496">V.17, 9600 bps</td> </tr> <tr> <td data-bbox="336 1496 639 1541">4800bps/V27ter</td> <td data-bbox="639 1496 1401 1541">V.27ter, 4800 bps</td> </tr> <tr> <td data-bbox="336 1541 639 1601">2400bps/V27ter</td> <td data-bbox="639 1541 1401 1601">V.27ter, 2400 bps</td> </tr> </tbody> </table> <p>* : Initial setting: 14400bps/V17</p> <p>2. Press the start key. The setting is set.</p>	Display	Description	TX SPEED	Sets the communication starting speed.	RX SPEED	Sets the reception speed.	TX ECHO	Sets the waiting period to prevent echo problems at the sender.	RX ECHO	Sets the waiting period to prevent echo problems at the receiver.	Display	Description	14400bps/V17	V.17, 14400 bps	9600bps/V29	V.17, 9600 bps	4800bps/V27ter	V.27ter, 4800 bps	2400bps/V27ter	V.27ter, 2400 bps
Display	Description																				
TX SPEED	Sets the communication starting speed.																				
RX SPEED	Sets the reception speed.																				
TX ECHO	Sets the waiting period to prevent echo problems at the sender.																				
RX ECHO	Sets the waiting period to prevent echo problems at the receiver.																				
Display	Description																				
14400bps/V17	V.17, 14400 bps																				
9600bps/V29	V.17, 9600 bps																				
4800bps/V27ter	V.27ter, 4800 bps																				
2400bps/V27ter	V.27ter, 2400 bps																				

Item No.	Description																						
U630 (cont.)	<p data-bbox="288 241 644 271">Setting the reception speed</p> <p data-bbox="288 277 1410 342">Sets the reception speed that the sender is informed of using the DIS or NSF signal. When the destination unit has V.34 capability, V.34 is selected, regardless of the setting.</p> <p data-bbox="308 347 919 376">1. Select the setting using the cursor up/down keys.</p> <table border="1" data-bbox="336 389 1399 629"> <thead> <tr> <th data-bbox="336 389 639 434">Display</th> <th data-bbox="639 389 1399 434">Description</th> </tr> </thead> <tbody> <tr> <td data-bbox="336 434 639 479">14400bps</td> <td data-bbox="639 434 1399 479">V.17, V.33, V.29, V.27ter</td> </tr> <tr> <td data-bbox="336 479 639 524">9600bps</td> <td data-bbox="639 479 1399 524">V.29, V.27ter</td> </tr> <tr> <td data-bbox="336 524 639 568">4800bps</td> <td data-bbox="639 524 1399 568">V.27ter</td> </tr> <tr> <td data-bbox="336 568 639 629">2400bps</td> <td data-bbox="639 568 1399 629">V.27ter (fallback only)</td> </tr> </tbody> </table> <p data-bbox="336 638 657 667">* : Initial setting: 14400bps</p> <p data-bbox="308 672 782 701">2. Press the start key. The setting is set.</p> <p data-bbox="288 741 1129 770">Setting the waiting period to prevent echo problems at the sender</p> <p data-bbox="288 777 1418 842">Sets the period before a DCS signal is sent after a DIS signal is received. Used when problems occur due to echoes at the sender.</p> <p data-bbox="308 846 919 875">1. Select the setting using the cursor up/down keys.</p> <table border="1" data-bbox="336 889 1399 1032"> <thead> <tr> <th data-bbox="336 889 639 934">Display</th> <th data-bbox="639 889 1399 934">Description</th> </tr> </thead> <tbody> <tr> <td data-bbox="336 934 639 978">500</td> <td data-bbox="639 934 1399 978">Sends a DCS 500 ms after receiving a DIS.</td> </tr> <tr> <td data-bbox="336 978 639 1032">300</td> <td data-bbox="639 978 1399 1032">Sends a DCS 300 ms after receiving a DIS.</td> </tr> </tbody> </table> <p data-bbox="336 1041 584 1070">* : Initial setting: 300</p> <p data-bbox="308 1075 782 1104">2. Press the start key. The setting is set.</p> <p data-bbox="288 1144 1145 1173">Setting the waiting period to prevent echo problems at the receiver</p> <p data-bbox="288 1180 1393 1245">Sets the period before an NSF, CSI or DIS signal is sent after a CED signal is received. Used when problems occur due to echoes at the receiver.</p> <p data-bbox="308 1249 919 1279">1. Select the setting using the cursor up/down keys.</p> <table border="1" data-bbox="336 1292 1399 1435"> <thead> <tr> <th data-bbox="336 1292 639 1337">Display</th> <th data-bbox="639 1292 1399 1337">Description</th> </tr> </thead> <tbody> <tr> <td data-bbox="336 1337 639 1382">500</td> <td data-bbox="639 1337 1399 1382">Sends an NSF, CSI or DIS 500 ms after receiving a CED.</td> </tr> <tr> <td data-bbox="336 1382 639 1435">75</td> <td data-bbox="639 1382 1399 1435">Sends an NSF, CSI or DIS 75 ms after receiving a CED.</td> </tr> </tbody> </table> <p data-bbox="336 1444 571 1473">* : Initial setting: 75</p> <p data-bbox="308 1478 782 1507">2. Press the start key. The setting is set.</p> <p data-bbox="288 1547 440 1576">Completion</p> <p data-bbox="288 1583 1254 1612">Press the stop key. The screen for selecting a maintenance item No. is displayed.</p>	Display	Description	14400bps	V.17, V.33, V.29, V.27ter	9600bps	V.29, V.27ter	4800bps	V.27ter	2400bps	V.27ter (fallback only)	Display	Description	500	Sends a DCS 500 ms after receiving a DIS.	300	Sends a DCS 300 ms after receiving a DIS.	Display	Description	500	Sends an NSF, CSI or DIS 500 ms after receiving a CED.	75	Sends an NSF, CSI or DIS 75 ms after receiving a CED.
Display	Description																						
14400bps	V.17, V.33, V.29, V.27ter																						
9600bps	V.29, V.27ter																						
4800bps	V.27ter																						
2400bps	V.27ter (fallback only)																						
Display	Description																						
500	Sends a DCS 500 ms after receiving a DIS.																						
300	Sends a DCS 300 ms after receiving a DIS.																						
Display	Description																						
500	Sends an NSF, CSI or DIS 500 ms after receiving a CED.																						
75	Sends an NSF, CSI or DIS 75 ms after receiving a CED.																						

Item No.	Description																										
U631	<p data-bbox="288 241 710 271">Setting communication control 2</p> <p data-bbox="288 311 440 340">Description</p> <p data-bbox="288 344 799 374">Makes settings regarding fax transmission.</p> <p data-bbox="288 414 387 443">Method</p> <ol data-bbox="308 450 999 515" style="list-style-type: none"> <li data-bbox="308 450 564 479">1. Press the start key. <li data-bbox="308 483 999 515">2. Select the item to be set using the cursor up/down keys. <table border="1" data-bbox="336 526 1401 719"> <thead> <tr> <th data-bbox="336 526 639 571">Display</th> <th data-bbox="639 526 1401 571">Description</th> </tr> </thead> <tbody> <tr> <td data-bbox="336 571 639 616">ECM TX</td> <td data-bbox="639 571 1401 616">Sets ECM transmission.</td> </tr> <tr> <td data-bbox="336 616 639 660">ECM RX</td> <td data-bbox="639 616 1401 660">Sets ECM reception.</td> </tr> <tr> <td data-bbox="336 660 639 719">CED FREQ.</td> <td data-bbox="639 660 1401 719">Sets the frequency of the CED signal.</td> </tr> </tbody> </table> <p data-bbox="288 761 624 790">Setting ECM transmission</p> <p data-bbox="288 795 1393 860">To be set to OFF when reduction of transmission costs is of higher priority than image quality. This should not be set to OFF when connecting to the IP (Internet Protocol) telephone line.</p> <ol data-bbox="308 864 919 896" style="list-style-type: none"> <li data-bbox="308 864 919 896">1. Select the setting using the cursor up/down keys. <table border="1" data-bbox="336 907 1401 1055"> <thead> <tr> <th data-bbox="336 907 639 952">Display</th> <th data-bbox="639 907 1401 952">Description</th> </tr> </thead> <tbody> <tr> <td data-bbox="336 952 639 996">ON</td> <td data-bbox="639 952 1401 996">ECM transmission is enabled.</td> </tr> <tr> <td data-bbox="336 996 639 1055">OFF</td> <td data-bbox="639 996 1401 1055">ECM transmission is disabled.</td> </tr> </tbody> </table> <p data-bbox="336 1059 579 1088">* : Initial setting: ON</p> <ol data-bbox="308 1093 780 1124" style="list-style-type: none"> <li data-bbox="308 1093 780 1124">2. Press the start key. The setting is set. <p data-bbox="288 1164 576 1193">Setting ECM reception</p> <p data-bbox="288 1198 1393 1263">To be set to OFF when reduction of transmission costs is of higher priority than image quality. This should not be set to OFF when connecting to the IP (Internet Protocol) telephone line.</p> <ol data-bbox="308 1267 919 1299" style="list-style-type: none"> <li data-bbox="308 1267 919 1299">1. Select the setting using the cursor up/down keys. <table border="1" data-bbox="336 1310 1401 1458"> <thead> <tr> <th data-bbox="336 1310 639 1355">Display</th> <th data-bbox="639 1310 1401 1355">Description</th> </tr> </thead> <tbody> <tr> <td data-bbox="336 1355 639 1400">ON</td> <td data-bbox="639 1355 1401 1400">ECM reception is enabled.</td> </tr> <tr> <td data-bbox="336 1400 639 1458">OFF</td> <td data-bbox="639 1400 1401 1458">ECM reception is disabled.</td> </tr> </tbody> </table> <p data-bbox="336 1462 579 1491">* : Initial setting: ON</p> <ol data-bbox="308 1496 780 1527" style="list-style-type: none"> <li data-bbox="308 1496 780 1527">2. Press the start key. The setting is set. <p data-bbox="288 1568 796 1597">Setting the frequency of the CED signal</p> <p data-bbox="288 1601 1433 1666">Sets the frequency of the CED signal. Used as one of the measures to improve transmission performance for international communications.</p> <ol data-bbox="308 1671 919 1702" style="list-style-type: none"> <li data-bbox="308 1671 919 1702">1. Select the setting using the cursor up/down keys. <table border="1" data-bbox="336 1713 1401 1861"> <thead> <tr> <th data-bbox="336 1713 639 1758">Display</th> <th data-bbox="639 1713 1401 1758">Description</th> </tr> </thead> <tbody> <tr> <td data-bbox="336 1758 639 1803">2100</td> <td data-bbox="639 1758 1401 1803">2100 Hz</td> </tr> <tr> <td data-bbox="336 1803 639 1861">1100</td> <td data-bbox="639 1803 1401 1861">1100 Hz</td> </tr> </tbody> </table> <p data-bbox="336 1865 600 1895">* : Initial setting: 2100</p> <ol data-bbox="308 1899 780 1930" style="list-style-type: none"> <li data-bbox="308 1899 780 1930">2. Press the start key. The setting is set. <p data-bbox="288 1971 440 2000">Completion</p> <p data-bbox="288 2004 1254 2033">Press the stop key. The screen for selecting a maintenance item No. is displayed.</p>	Display	Description	ECM TX	Sets ECM transmission.	ECM RX	Sets ECM reception.	CED FREQ.	Sets the frequency of the CED signal.	Display	Description	ON	ECM transmission is enabled.	OFF	ECM transmission is disabled.	Display	Description	ON	ECM reception is enabled.	OFF	ECM reception is disabled.	Display	Description	2100	2100 Hz	1100	1100 Hz
Display	Description																										
ECM TX	Sets ECM transmission.																										
ECM RX	Sets ECM reception.																										
CED FREQ.	Sets the frequency of the CED signal.																										
Display	Description																										
ON	ECM transmission is enabled.																										
OFF	ECM transmission is disabled.																										
Display	Description																										
ON	ECM reception is enabled.																										
OFF	ECM reception is disabled.																										
Display	Description																										
2100	2100 Hz																										
1100	1100 Hz																										

Item No.	Description																												
U632	<p data-bbox="290 241 708 271">Setting communication control 3</p> <p data-bbox="290 311 440 340">Description</p> <p data-bbox="290 344 1069 374">Makes settings for fax transmission regarding the communication.</p> <p data-bbox="290 414 387 443">Method</p> <ol data-bbox="308 450 999 515" style="list-style-type: none"> 1. Press the start key. 2. Select the item to be set using the cursor up/down keys. <table border="1" data-bbox="336 526 1401 801"> <thead> <tr> <th data-bbox="336 526 639 571">Display</th> <th data-bbox="639 526 1401 571">Description</th> </tr> </thead> <tbody> <tr> <td data-bbox="336 571 639 616">DIS 4BYTE</td> <td data-bbox="639 571 1401 616">Sets the DIS signal to 4 bytes.</td> </tr> <tr> <td data-bbox="336 616 639 660">SHORT PRTCL TX</td> <td data-bbox="639 616 1401 660">Sets the short protocol transmission.</td> </tr> <tr> <td data-bbox="336 660 639 705">SHORT PRTCL RX</td> <td data-bbox="639 660 1401 705">Sets the reception of short protocol transmission.</td> </tr> <tr> <td data-bbox="336 705 639 801">NUM OF CNG(F/T)</td> <td data-bbox="639 705 1401 801">Sets the CNG detection times in the fax/telephone auto select mode.</td> </tr> </tbody> </table> <p data-bbox="290 844 699 873">Setting the DIS signal to 4 bytes</p> <p data-bbox="290 878 975 907">Sets if bit 33 and later bits of the DIS/DTC signal are sent.</p> <ol data-bbox="308 911 919 940" style="list-style-type: none"> 1. Select the setting using the cursor up/down keys. <table border="1" data-bbox="336 954 1401 1099"> <thead> <tr> <th data-bbox="336 954 639 999">Display</th> <th data-bbox="639 954 1401 999">Description</th> </tr> </thead> <tbody> <tr> <td data-bbox="336 999 639 1043">ON</td> <td data-bbox="639 999 1401 1043">Bit 33 and later bits of the DIS/DTC signal are not sent.</td> </tr> <tr> <td data-bbox="336 1043 639 1099">OFF</td> <td data-bbox="639 1043 1401 1099">Bit 33 and later bits of the DIS/DTC signal are sent.</td> </tr> </tbody> </table> <p data-bbox="336 1108 592 1137">* : Initial setting: OFF</p> <ol data-bbox="308 1142 780 1171" style="list-style-type: none"> 2. Press the start key. The setting is set. <p data-bbox="290 1211 793 1240">Setting the short protocol transmission</p> <p data-bbox="290 1245 855 1274">Sets if short protocol transmission is performed.</p> <ol data-bbox="308 1279 919 1308" style="list-style-type: none"> 1. Select the setting using the cursor up/down keys. <table border="1" data-bbox="336 1321 1401 1467"> <thead> <tr> <th data-bbox="336 1321 639 1366">Display</th> <th data-bbox="639 1321 1401 1366">Description</th> </tr> </thead> <tbody> <tr> <td data-bbox="336 1366 639 1411">ON</td> <td data-bbox="639 1366 1401 1411">Short protocol transmission is performed.</td> </tr> <tr> <td data-bbox="336 1411 639 1467">OFF</td> <td data-bbox="639 1411 1401 1467">Short protocol transmission is not performed.</td> </tr> </tbody> </table> <p data-bbox="336 1476 579 1505">* : Initial setting: ON</p> <ol data-bbox="308 1509 780 1538" style="list-style-type: none"> 2. Press the start key. The setting is set. <p data-bbox="290 1579 975 1608">Setting the reception of a short protocol transmission</p> <p data-bbox="290 1612 1123 1641">Selects whether to receive or ignore transmission using short protocol.</p> <p data-bbox="290 1646 1422 1744">If a short protocol transmission is received when an auto switching device is attached to the machine, communication problems, including auto switching inability, sometimes occur. Change the setting to ignore short protocol transmission to prevent such problems.</p> <ol data-bbox="308 1749 919 1778" style="list-style-type: none"> 1. Select the setting using the cursor up/down keys. <table border="1" data-bbox="336 1792 1401 1937"> <thead> <tr> <th data-bbox="336 1792 639 1836">Display</th> <th data-bbox="639 1792 1401 1836">Description</th> </tr> </thead> <tbody> <tr> <td data-bbox="336 1836 639 1881">ON</td> <td data-bbox="639 1836 1401 1881">Receives short protocol transmission.</td> </tr> <tr> <td data-bbox="336 1881 639 1937">OFF</td> <td data-bbox="639 1881 1401 1937">Ignores short protocol transmission.</td> </tr> </tbody> </table> <p data-bbox="336 1946 579 1975">* : Initial setting: ON</p> <ol data-bbox="308 1980 780 2009" style="list-style-type: none"> 2. Press the start key. The setting is set. 	Display	Description	DIS 4BYTE	Sets the DIS signal to 4 bytes.	SHORT PRTCL TX	Sets the short protocol transmission.	SHORT PRTCL RX	Sets the reception of short protocol transmission.	NUM OF CNG(F/T)	Sets the CNG detection times in the fax/telephone auto select mode.	Display	Description	ON	Bit 33 and later bits of the DIS/DTC signal are not sent.	OFF	Bit 33 and later bits of the DIS/DTC signal are sent.	Display	Description	ON	Short protocol transmission is performed.	OFF	Short protocol transmission is not performed.	Display	Description	ON	Receives short protocol transmission.	OFF	Ignores short protocol transmission.
Display	Description																												
DIS 4BYTE	Sets the DIS signal to 4 bytes.																												
SHORT PRTCL TX	Sets the short protocol transmission.																												
SHORT PRTCL RX	Sets the reception of short protocol transmission.																												
NUM OF CNG(F/T)	Sets the CNG detection times in the fax/telephone auto select mode.																												
Display	Description																												
ON	Bit 33 and later bits of the DIS/DTC signal are not sent.																												
OFF	Bit 33 and later bits of the DIS/DTC signal are sent.																												
Display	Description																												
ON	Short protocol transmission is performed.																												
OFF	Short protocol transmission is not performed.																												
Display	Description																												
ON	Receives short protocol transmission.																												
OFF	Ignores short protocol transmission.																												

Item No.	Description																				
U632	<p>Setting the CNG detection times in the fax/telephone auto select mode Sets the CNG detection times in the fax/telephone auto select mode.</p> <ol style="list-style-type: none"> Select the setting using the cursor up/down keys. <table border="1" data-bbox="338 353 1401 499"> <thead> <tr> <th>Display</th> <th>Description</th> </tr> </thead> <tbody> <tr> <td>1TIME</td> <td>Detects CNG once.</td> </tr> <tr> <td>2TIMES</td> <td>Detects CNG twice.</td> </tr> </tbody> </table> <p>* : Initial setting: 2TIMES</p> <ol style="list-style-type: none"> Press the start key. The setting is set. <p>Completion Press the stop key. The screen for selecting a maintenance item No. is displayed.</p>	Display	Description	1TIME	Detects CNG once.	2TIMES	Detects CNG twice.														
Display	Description																				
1TIME	Detects CNG once.																				
2TIMES	Detects CNG twice.																				
U633	<p>Setting communication control 4</p> <p>Description Makes settings for fax transmission regarding the communication.</p> <p>Purpose To reduce transmission errors when a low quality line is used.</p> <p>Method</p> <ol style="list-style-type: none"> Press the start key. Select the item to be set using the cursor up/down keys. <table border="1" data-bbox="338 1048 1401 1285"> <thead> <tr> <th>Display</th> <th>Description</th> </tr> </thead> <tbody> <tr> <td>V.34</td> <td>Enables or disables V.34 communication.</td> </tr> <tr> <td>V.34-3429Hz</td> <td>Sets the V.34 symbol speed (3429 Hz).</td> </tr> <tr> <td>DIS 2RES</td> <td>Sets the number of times of DIS signal reception.</td> </tr> <tr> <td>RTN CHECK</td> <td>Sets the reference for RTN signal output.</td> </tr> </tbody> </table> <p>Enabling/disabling V.34 communication Sets whether V.34 communication is enabled/disabled for transmission and reception.</p> <ol style="list-style-type: none"> Select the setting using the cursor up/down keys. <table border="1" data-bbox="338 1444 1401 1682"> <thead> <tr> <th>Display</th> <th>Description</th> </tr> </thead> <tbody> <tr> <td>ON</td> <td>V.34 communication is enabled for both transmission and reception.</td> </tr> <tr> <td>TX</td> <td>V.34 communication is enabled for transmission only.</td> </tr> <tr> <td>RX</td> <td>V.34 communication is enabled for reception only.</td> </tr> <tr> <td>OFF</td> <td>V.34 communication is disabled for both transmission and reception.</td> </tr> </tbody> </table> <p>* : Initial setting: ON</p> <ol style="list-style-type: none"> Press the start key. The setting is set. 	Display	Description	V.34	Enables or disables V.34 communication.	V.34-3429Hz	Sets the V.34 symbol speed (3429 Hz).	DIS 2RES	Sets the number of times of DIS signal reception.	RTN CHECK	Sets the reference for RTN signal output.	Display	Description	ON	V.34 communication is enabled for both transmission and reception.	TX	V.34 communication is enabled for transmission only.	RX	V.34 communication is enabled for reception only.	OFF	V.34 communication is disabled for both transmission and reception.
Display	Description																				
V.34	Enables or disables V.34 communication.																				
V.34-3429Hz	Sets the V.34 symbol speed (3429 Hz).																				
DIS 2RES	Sets the number of times of DIS signal reception.																				
RTN CHECK	Sets the reference for RTN signal output.																				
Display	Description																				
ON	V.34 communication is enabled for both transmission and reception.																				
TX	V.34 communication is enabled for transmission only.																				
RX	V.34 communication is enabled for reception only.																				
OFF	V.34 communication is disabled for both transmission and reception.																				

Item No.	Description																						
U633	<p data-bbox="287 241 798 275">Setting the V.34 symbol speed (3429 Hz)</p> <p data-bbox="287 275 845 309">Sets if the V.34 symbol speed 3429 Hz is used.</p> <p data-bbox="287 309 909 342">1. Select the setting using the cursor up/down keys.</p> <table border="1" data-bbox="335 353 1401 499"> <thead> <tr> <th data-bbox="343 365 635 409">Display</th> <th data-bbox="635 365 1393 409">Description</th> </tr> </thead> <tbody> <tr> <td data-bbox="343 409 635 454">ON</td> <td data-bbox="635 409 1393 454">V.34 symbol speed 3429 Hz is used.</td> </tr> <tr> <td data-bbox="343 454 635 499">OFF</td> <td data-bbox="635 454 1393 499">V.34 symbol speed 3429 Hz is not used.</td> </tr> </tbody> </table> <p data-bbox="287 510 574 544">* : Initial setting: ON</p> <p data-bbox="287 544 782 577">2. Press the start key. The setting is set.</p> <p data-bbox="287 611 941 645">Setting the number of times of DIS signal reception</p> <p data-bbox="287 645 1428 712">Sets the number of times to receive the DIS signal to once or twice. Used as one of the correction measures for transmission errors and other problems.</p> <p data-bbox="287 712 909 745">1. Select the setting using the cursor up/down keys.</p> <table border="1" data-bbox="335 757 1401 902"> <thead> <tr> <th data-bbox="343 768 635 813">Display</th> <th data-bbox="635 768 1393 813">Description</th> </tr> </thead> <tbody> <tr> <td data-bbox="343 813 635 857">ONCE</td> <td data-bbox="635 813 1393 857">Responds to the first signal.</td> </tr> <tr> <td data-bbox="343 857 635 902">TWICE</td> <td data-bbox="635 857 1393 902">Responds to the second signal.</td> </tr> </tbody> </table> <p data-bbox="287 913 606 947">* : Initial setting: ONCE</p> <p data-bbox="287 947 782 981">2. Press the start key. The setting is set.</p> <p data-bbox="287 1014 829 1048">Setting the reference for RTN signal output</p> <p data-bbox="287 1048 1404 1115">Sets the error line rate as the reference for RTN signal output. If transmission errors occur frequently due to the quality of the line, they can be reduced by lowering this setting.</p> <p data-bbox="287 1115 909 1149">1. Select the setting using the cursor up/down keys.</p> <table border="1" data-bbox="335 1160 1401 1406"> <thead> <tr> <th data-bbox="343 1171 635 1216">Display</th> <th data-bbox="635 1171 1393 1216">Description</th> </tr> </thead> <tbody> <tr> <td data-bbox="343 1216 635 1261">5%</td> <td data-bbox="635 1216 1393 1261">Error line rate of 5%</td> </tr> <tr> <td data-bbox="343 1261 635 1305">10%</td> <td data-bbox="635 1261 1393 1305">Error line rate of 10%</td> </tr> <tr> <td data-bbox="343 1305 635 1350">15%</td> <td data-bbox="635 1305 1393 1350">Error line rate of 15%</td> </tr> <tr> <td data-bbox="343 1350 635 1395">20%</td> <td data-bbox="635 1350 1393 1395">Error line rate of 20%</td> </tr> </tbody> </table> <p data-bbox="287 1417 590 1451">* : Initial setting: 15%</p> <p data-bbox="287 1451 782 1485">2. Press the start key. The setting is set.</p> <p data-bbox="287 1518 430 1552">Completion</p> <p data-bbox="287 1552 1244 1585">Press the stop key. The screen for selecting a maintenance item No. is displayed.</p>	Display	Description	ON	V.34 symbol speed 3429 Hz is used.	OFF	V.34 symbol speed 3429 Hz is not used.	Display	Description	ONCE	Responds to the first signal.	TWICE	Responds to the second signal.	Display	Description	5%	Error line rate of 5%	10%	Error line rate of 10%	15%	Error line rate of 15%	20%	Error line rate of 20%
Display	Description																						
ON	V.34 symbol speed 3429 Hz is used.																						
OFF	V.34 symbol speed 3429 Hz is not used.																						
Display	Description																						
ONCE	Responds to the first signal.																						
TWICE	Responds to the second signal.																						
Display	Description																						
5%	Error line rate of 5%																						
10%	Error line rate of 10%																						
15%	Error line rate of 15%																						
20%	Error line rate of 20%																						

Item No.	Description																		
U634	<p>Setting communication control 5</p> <p>Description Sets the maximum number of error bytes judged acceptable when receiving a TCF signal. Used as a measure to ease transmission conditions if transmission errors occur.</p> <p>Setting</p> <ol style="list-style-type: none"> 1. Press the start key. 2. Change the setting using the cursor left/right keys or numeric keys. <table border="1" data-bbox="336 562 1401 658"> <thead> <tr> <th>Description</th> <th>Setting range</th> <th>Initial setting</th> </tr> </thead> <tbody> <tr> <td>Number of allowed error bytes when detecting TCF</td> <td>0 to 255</td> <td>0</td> </tr> </tbody> </table> <ol style="list-style-type: none"> 3. Press the start key. The value is set. <p>Completion Press the stop key. The screen for selecting a maintenance item No. is displayed.</p>	Description	Setting range	Initial setting	Number of allowed error bytes when detecting TCF	0 to 255	0												
Description	Setting range	Initial setting																	
Number of allowed error bytes when detecting TCF	0 to 255	0																	
U640	<p>Setting communication time 1</p> <p>Description Sets the detection time when one-shot detection is selected for remote switching. (This setting item will be displayed, but the setting made is ineffective.) Sets the detection time when continuous detection is selected for remote switching. (This setting item will be displayed, but the setting made is ineffective.)</p> <p>Method</p> <ol style="list-style-type: none"> 1. Press the start key. 2. Select the item to be set using the cursor up/down keys. <table border="1" data-bbox="336 1209 1401 1352"> <thead> <tr> <th>Display</th> <th>Description</th> </tr> </thead> <tbody> <tr> <td>TIME (ONE)</td> <td>Sets the one-shot detection time for remote switching.</td> </tr> <tr> <td>TIME (CONT)</td> <td>Sets the continuous detection time for remote switching.</td> </tr> </tbody> </table> <p>Setting the one-shot detection time for remote switching</p> <ol style="list-style-type: none"> 1. Change the setting using the cursor left/right keys. <table border="1" data-bbox="336 1471 1401 1568"> <thead> <tr> <th>Description</th> <th>Setting range</th> <th>Initial setting</th> </tr> </thead> <tbody> <tr> <td>One-shot detection time for remote switching</td> <td>0 to 255</td> <td>7</td> </tr> </tbody> </table> <ol style="list-style-type: none"> 2. Press the start key. The value is set. <p>Setting the continuous detection time for remote switching</p> <ol style="list-style-type: none"> 1. Change the setting using the cursor left/right keys. <table border="1" data-bbox="336 1724 1401 1821"> <thead> <tr> <th>Description</th> <th>Setting range</th> <th>Initial setting</th> </tr> </thead> <tbody> <tr> <td>Continuous detection time for remote switching</td> <td>0 to 255</td> <td>80</td> </tr> </tbody> </table> <ol style="list-style-type: none"> 2. Press the start key. The value is set. <p>Completion Press the stop key. The screen for selecting a maintenance item No. is displayed.</p>	Display	Description	TIME (ONE)	Sets the one-shot detection time for remote switching.	TIME (CONT)	Sets the continuous detection time for remote switching.	Description	Setting range	Initial setting	One-shot detection time for remote switching	0 to 255	7	Description	Setting range	Initial setting	Continuous detection time for remote switching	0 to 255	80
Display	Description																		
TIME (ONE)	Sets the one-shot detection time for remote switching.																		
TIME (CONT)	Sets the continuous detection time for remote switching.																		
Description	Setting range	Initial setting																	
One-shot detection time for remote switching	0 to 255	7																	
Description	Setting range	Initial setting																	
Continuous detection time for remote switching	0 to 255	80																	

Item No.	Description																														
U641	<p data-bbox="288 241 675 271">Setting communication time 2</p> <p data-bbox="288 311 440 340">Description</p> <p data-bbox="288 344 799 374">Sets the time-out time for fax transmission.</p> <p data-bbox="288 380 400 409">Purpose</p> <p data-bbox="288 414 1222 443">To improve transmission performance for international communications mainly.</p> <p data-bbox="288 483 387 512">Method</p> <ol data-bbox="308 517 999 584" style="list-style-type: none"> 1. Press the start key. 2. Select the item to be set using the cursor up/down keys. <table border="1" data-bbox="336 595 1399 1028"> <thead> <tr> <th data-bbox="344 602 639 647">Display</th> <th data-bbox="639 602 1391 647">Description</th> </tr> </thead> <tbody> <tr> <td data-bbox="344 647 639 692">T0 TIME OUT</td> <td data-bbox="639 647 1391 692">Sets the T0 time-out time.</td> </tr> <tr> <td data-bbox="344 692 639 736">T1 TIME OUT</td> <td data-bbox="639 692 1391 736">Sets the T1 time-out time.</td> </tr> <tr> <td data-bbox="344 736 639 781">T2 TIME OUT</td> <td data-bbox="639 736 1391 781">Sets the T2 time-out time.</td> </tr> <tr> <td data-bbox="344 781 639 826">Ta TIME OUT</td> <td data-bbox="639 781 1391 826">Sets the Ta time-out time.</td> </tr> <tr> <td data-bbox="344 826 639 871">Tb1 TIME OUT</td> <td data-bbox="639 826 1391 871">Sets the Tb1 time-out time.</td> </tr> <tr> <td data-bbox="344 871 639 916">Tb2 TIME OUT</td> <td data-bbox="639 871 1391 916">Sets the Tb2 time-out time.</td> </tr> <tr> <td data-bbox="344 916 639 960">Tc TIME OUT</td> <td data-bbox="639 916 1391 960">Sets the Tc time-out time.</td> </tr> <tr> <td data-bbox="344 960 639 1005">Td TIME OUT</td> <td data-bbox="639 960 1391 1005">Sets the Td time-out time.</td> </tr> </tbody> </table> <p data-bbox="288 1070 646 1099">Setting the T0 time-out time</p> <p data-bbox="288 1104 1388 1205">Sets the time before detecting a CED or DIS signal after a dialing signal is sent. Depending on the quality of the exchange, or when the auto select function is selected at the destination unit, a line can be disconnected. Change the setting to prevent this problem.</p> <ol data-bbox="308 1209 932 1238" style="list-style-type: none"> 1. Change the setting using the cursor left/right keys. <table border="1" data-bbox="336 1249 1399 1348"> <thead> <tr> <th data-bbox="344 1256 975 1301">Description</th> <th data-bbox="975 1256 1187 1301">Setting range</th> <th data-bbox="1187 1256 1391 1301">Initial setting</th> </tr> </thead> <tbody> <tr> <td data-bbox="344 1301 975 1348">T0 time-out time</td> <td data-bbox="975 1301 1187 1348">30 to 90 s</td> <td data-bbox="1187 1301 1391 1348">56</td> </tr> </tbody> </table> <ol data-bbox="308 1352 767 1382" style="list-style-type: none"> 2. Press the start key. The value is set. <p data-bbox="288 1424 646 1453">Setting the T1 time-out time</p> <p data-bbox="288 1458 1425 1523">Sets the time before receiving the correct signal after call reception. No change is necessary for this maintenance item.</p> <ol data-bbox="308 1527 932 1556" style="list-style-type: none"> 1. Change the setting using the cursor left/right keys. <table border="1" data-bbox="336 1568 1399 1666"> <thead> <tr> <th data-bbox="344 1574 975 1619">Description</th> <th data-bbox="975 1574 1187 1619">Setting range</th> <th data-bbox="1187 1574 1391 1619">Initial setting</th> </tr> </thead> <tbody> <tr> <td data-bbox="344 1619 975 1666">T1 time-out time</td> <td data-bbox="975 1619 1187 1666">30 to 90 s</td> <td data-bbox="1187 1619 1391 1666">36</td> </tr> </tbody> </table> <ol data-bbox="308 1671 767 1700" style="list-style-type: none"> 2. Press the start key. The value is set. 	Display	Description	T0 TIME OUT	Sets the T0 time-out time.	T1 TIME OUT	Sets the T1 time-out time.	T2 TIME OUT	Sets the T2 time-out time.	Ta TIME OUT	Sets the Ta time-out time.	Tb1 TIME OUT	Sets the Tb1 time-out time.	Tb2 TIME OUT	Sets the Tb2 time-out time.	Tc TIME OUT	Sets the Tc time-out time.	Td TIME OUT	Sets the Td time-out time.	Description	Setting range	Initial setting	T0 time-out time	30 to 90 s	56	Description	Setting range	Initial setting	T1 time-out time	30 to 90 s	36
Display	Description																														
T0 TIME OUT	Sets the T0 time-out time.																														
T1 TIME OUT	Sets the T1 time-out time.																														
T2 TIME OUT	Sets the T2 time-out time.																														
Ta TIME OUT	Sets the Ta time-out time.																														
Tb1 TIME OUT	Sets the Tb1 time-out time.																														
Tb2 TIME OUT	Sets the Tb2 time-out time.																														
Tc TIME OUT	Sets the Tc time-out time.																														
Td TIME OUT	Sets the Td time-out time.																														
Description	Setting range	Initial setting																													
T0 time-out time	30 to 90 s	56																													
Description	Setting range	Initial setting																													
T1 time-out time	30 to 90 s	36																													

Item No.	Description																						
U641	<p data-bbox="288 241 644 271">Setting the T2 time-out time</p> <p data-bbox="288 277 799 306">The T2 time-out time decides the following.</p> <p data-bbox="288 313 863 342">From CFR signal output to image data reception</p> <p data-bbox="288 349 940 378">From image data reception to the next signal reception</p> <p data-bbox="288 385 1035 414">In ECM, from RNR signal detection to the next signal reception</p> <ol data-bbox="308 421 932 450" style="list-style-type: none"> 1. Change the setting using the cursor left/right keys. <table border="1" data-bbox="336 459 1399 589"> <thead> <tr> <th data-bbox="336 459 807 539">Description</th> <th data-bbox="807 459 991 539">Setting range</th> <th data-bbox="991 459 1171 539">Initial setting</th> <th data-bbox="1171 459 1399 539">Change in value per step</th> </tr> </thead> <tbody> <tr> <td data-bbox="336 539 807 589">T2 time-out time</td> <td data-bbox="807 539 991 589">1 to 255</td> <td data-bbox="991 539 1171 589">69</td> <td data-bbox="1171 539 1399 589">100 ms</td> </tr> </tbody> </table> <ol data-bbox="308 600 767 629" style="list-style-type: none"> 2. Press the start key. The value is set. <p data-bbox="288 667 644 696">Setting the Ta time-out time</p> <p data-bbox="288 703 1422 871">In the fax/telephone auto select mode, sets the time to continue ringing an operator through the connected telephone after receiving a call as a fax machine (see figure 1-3-3). A fax signal is received within the Ta set time, or the fax mode is selected automatically when the time elapses. In fax/telephone auto select mode, change the setting when fax reception is unsuccessful or a telephone fails to receive a call.</p> <ol data-bbox="308 878 932 907" style="list-style-type: none"> 1. Change the setting using the cursor left/right keys. <table border="1" data-bbox="336 916 1399 1014"> <thead> <tr> <th data-bbox="336 916 975 965">Description</th> <th data-bbox="975 916 1187 965">Setting range</th> <th data-bbox="1187 916 1399 965">Initial setting</th> </tr> </thead> <tbody> <tr> <td data-bbox="336 965 975 1014">Ta time-out time</td> <td data-bbox="975 965 1187 1014">1 to 255</td> <td data-bbox="1187 965 1399 1014">30</td> </tr> </tbody> </table> <ol data-bbox="308 1025 767 1055" style="list-style-type: none"> 2. Press the start key. The value is set. <div data-bbox="518 1084 1220 1458" style="text-align: center;"> </div> <p data-bbox="619 1491 1102 1520">Figure 1-3-3 Ta/Tb1/Tb2 time-out time</p> <p data-bbox="288 1561 660 1590">Setting the Tb1 time-out time</p> <p data-bbox="288 1597 1410 1697">In the fax/telephone auto select mode, sets the time to start sending the ring back tone after receiving a call as a fax machine (see figure 1-3-3). In fax/telephone auto select mode, change the setting when fax reception is unsuccessful or a telephone fails to receive a call.</p> <ol data-bbox="308 1704 932 1733" style="list-style-type: none"> 1. Change the setting using the cursor left/right keys. <table border="1" data-bbox="336 1742 1399 1872"> <thead> <tr> <th data-bbox="336 1742 807 1823">Description</th> <th data-bbox="807 1742 991 1823">Setting range</th> <th data-bbox="991 1742 1171 1823">Initial setting</th> <th data-bbox="1171 1742 1399 1823">Change in value per step</th> </tr> </thead> <tbody> <tr> <td data-bbox="336 1823 807 1872">Tb1 time-out time</td> <td data-bbox="807 1823 991 1872">1 to 255</td> <td data-bbox="991 1823 1171 1872">20</td> <td data-bbox="1171 1823 1399 1872">100 ms</td> </tr> </tbody> </table> <ol data-bbox="308 1883 767 1912" style="list-style-type: none"> 2. Press the start key. The value is set. 	Description	Setting range	Initial setting	Change in value per step	T2 time-out time	1 to 255	69	100 ms	Description	Setting range	Initial setting	Ta time-out time	1 to 255	30	Description	Setting range	Initial setting	Change in value per step	Tb1 time-out time	1 to 255	20	100 ms
Description	Setting range	Initial setting	Change in value per step																				
T2 time-out time	1 to 255	69	100 ms																				
Description	Setting range	Initial setting																					
Ta time-out time	1 to 255	30																					
Description	Setting range	Initial setting	Change in value per step																				
Tb1 time-out time	1 to 255	20	100 ms																				

Item No.	Description																				
U641	<p>Setting the Tb2 time-out time</p> <p>In the fax/telephone auto select mode, sets the time to start ringing an operator through the connected telephone after receiving a call as a fax machine (see figure 1-3-3). In the fax/telephone auto select mode, change the setting when fax reception is unsuccessful or a telephone fails to receive a call.</p> <ol style="list-style-type: none"> Change the setting using the cursor left/right keys. <table border="1" data-bbox="336 459 1401 589"> <thead> <tr> <th>Description</th> <th>Setting range</th> <th>Initial setting</th> <th>Change in value per step</th> </tr> </thead> <tbody> <tr> <td>Tb2 time-out time</td> <td>1 to 255</td> <td>80</td> <td>100 ms</td> </tr> </tbody> </table> <ol style="list-style-type: none"> Press the start key. The value is set. <p>Setting the Tc time-out time</p> <p>In the TAD mode, set the time to check if there are any triggers for shifting to fax reception after a connected telephone receives a call. Only the telephone function is available if shifting is not made within the set Tc time.</p> <p>In the TAD mode, change the setting when fax reception is unsuccessful or a telephone fails to receive a call.</p> <ol style="list-style-type: none"> Change the setting using the cursor left/right keys. <table border="1" data-bbox="336 920 1401 1014"> <thead> <tr> <th>Description</th> <th>Setting range</th> <th>Initial setting</th> </tr> </thead> <tbody> <tr> <td>Tc time-out time</td> <td>1 to 255</td> <td>60</td> </tr> </tbody> </table> <ol style="list-style-type: none"> Press the start key. The value is set. <p>Setting the Td time-out time</p> <p>Sets the length of the time required to determine silent status (fax), one of the triggers for Tc time check. In the TAD mode, change the setting when fax reception is unsuccessful or a telephone fails to receive a call. Be sure not to set it too short; otherwise, the mode may be shifted to fax while the unit is being used as a telephone.</p> <ol style="list-style-type: none"> Change the setting using the cursor left/right keys. <table border="1" data-bbox="336 1310 1401 1404"> <thead> <tr> <th>Description</th> <th>Setting range</th> <th>Initial setting</th> </tr> </thead> <tbody> <tr> <td>Td time-out time</td> <td>1 to 255</td> <td>9 (120 V)/6 (220-240 V)</td> </tr> </tbody> </table> <ol style="list-style-type: none"> Press the start key. The value is set. <p>Completion</p> <p>Press the stop key. The screen for selecting a maintenance item No. is displayed.</p>	Description	Setting range	Initial setting	Change in value per step	Tb2 time-out time	1 to 255	80	100 ms	Description	Setting range	Initial setting	Tc time-out time	1 to 255	60	Description	Setting range	Initial setting	Td time-out time	1 to 255	9 (120 V)/6 (220-240 V)
Description	Setting range	Initial setting	Change in value per step																		
Tb2 time-out time	1 to 255	80	100 ms																		
Description	Setting range	Initial setting																			
Tc time-out time	1 to 255	60																			
Description	Setting range	Initial setting																			
Td time-out time	1 to 255	9 (120 V)/6 (220-240 V)																			

Item No.	Description								
U650	<p data-bbox="288 241 507 273">Setting modem 1</p> <p data-bbox="288 311 440 342">Description</p> <p data-bbox="288 344 1015 376">Sets the G3 cable equalizer. Sets the modem detection level.</p> <p data-bbox="288 383 400 414">Purpose</p> <p data-bbox="288 416 1417 481">Perform the following adjustment to make the equalizer compatible with the line characteristics. To improve the transmission performance when a low quality line is used.</p> <p data-bbox="288 519 387 551">Method</p> <ol data-bbox="308 555 999 620" style="list-style-type: none"> <li data-bbox="308 555 564 586">1. Press the start key. <li data-bbox="308 589 999 620">2. Select the item to be set using the cursor up/down keys. <table border="1" data-bbox="336 633 1401 824"> <thead> <tr> <th data-bbox="336 633 639 674">Display</th> <th data-bbox="639 633 1401 674">Description</th> </tr> </thead> <tbody> <tr> <td data-bbox="336 674 639 716">REG. G3 TX EQR</td> <td data-bbox="639 674 1401 716">Sets the G3 transmission cable equalizer.</td> </tr> <tr> <td data-bbox="336 716 639 759">REG. G3 RX EQR</td> <td data-bbox="639 716 1401 759">Sets the G3 reception cable equalizer.</td> </tr> <tr> <td data-bbox="336 759 639 824">RX MODEM LEVEL</td> <td data-bbox="639 759 1401 824">Sets the modem detection level.</td> </tr> </tbody> </table> <p data-bbox="288 869 847 900">Setting the G3 transmission cable equalizer</p> <ol data-bbox="308 904 1126 1003" style="list-style-type: none"> <li data-bbox="308 904 1126 969">1. Select [0dB], [4dB], [8dB] or [12dB] using the cursor up/down keys. * : Initial setting: 0dB <li data-bbox="308 972 780 1003">2. Press the start key. The setting is set. <p data-bbox="288 1041 802 1072">Setting the G3 reception cable equalizer</p> <ol data-bbox="308 1077 1126 1176" style="list-style-type: none"> <li data-bbox="308 1077 1126 1142">1. Select [0dB], [4dB], [8dB] or [12dB] using the cursor up/down keys. * : Initial setting: 0dB <li data-bbox="308 1144 780 1176">2. Press the start key. The setting is set. <p data-bbox="288 1214 727 1245">Setting the modem detection level</p> <ol data-bbox="308 1249 1262 1348" style="list-style-type: none"> <li data-bbox="308 1249 1262 1314">1. Select [33dBm], [38dBm], [43dBm] or [48dBm] using the cursor up/down keys. * : Initial setting: 43dBm <li data-bbox="308 1317 780 1348">2. Press the start key. The setting is set. <p data-bbox="288 1386 440 1417">Completion</p> <p data-bbox="288 1420 1254 1451">Press the stop key. The screen for selecting a maintenance item No. is displayed.</p>	Display	Description	REG. G3 TX EQR	Sets the G3 transmission cable equalizer.	REG. G3 RX EQR	Sets the G3 reception cable equalizer.	RX MODEM LEVEL	Sets the modem detection level.
Display	Description								
REG. G3 TX EQR	Sets the G3 transmission cable equalizer.								
REG. G3 RX EQR	Sets the G3 reception cable equalizer.								
RX MODEM LEVEL	Sets the modem detection level.								

Item No.	Description																
U651	<p data-bbox="292 241 507 275">Setting modem 2</p> <p data-bbox="292 315 440 342">Description</p> <p data-bbox="292 349 638 376">Sets the modem output level.</p> <p data-bbox="292 383 997 409">Sets the DTMF output level of a push-button dial telephone.</p> <p data-bbox="292 416 400 443">Purpose</p> <p data-bbox="292 450 1246 477">Used if problems occur when sending a signal with a push-button dial telephone.</p> <p data-bbox="292 517 384 544">Setting</p> <ol data-bbox="308 551 1126 651" style="list-style-type: none"> 1. Press the start key. 2. Select the item to be set using the cursor up/down keys. 3. Change the setting using the cursor left/right keys or numeric keys. <table border="1" data-bbox="336 667 1385 965"> <thead> <tr> <th data-bbox="336 667 564 712">Display</th> <th data-bbox="564 667 959 712">Description</th> <th data-bbox="959 667 1158 712">Setting range</th> <th data-bbox="1158 667 1385 712">Initial setting</th> </tr> </thead> <tbody> <tr> <td data-bbox="336 712 564 801">SGL LV MDM</td> <td data-bbox="564 712 959 801">Modem output level</td> <td data-bbox="959 712 1158 801">1 to 15</td> <td data-bbox="1158 712 1385 801">9 (120 V) 10 (220-240 V)</td> </tr> <tr> <td data-bbox="336 801 564 891">DTMF LV(C)</td> <td data-bbox="564 801 959 891">DTMF output level (main value)</td> <td data-bbox="959 801 1158 891">0 to 15.0</td> <td data-bbox="1158 801 1385 891">5 (120 V) 10.5 (220-240 V)</td> </tr> <tr> <td data-bbox="336 891 564 965">DTMF LV(D)</td> <td data-bbox="564 891 959 965">DTMF output level (level difference)</td> <td data-bbox="959 891 1158 965">0 to 5.5</td> <td data-bbox="1158 891 1385 965">2 (120 V) 2.5 (220-240 V)</td> </tr> </tbody> </table> <ol data-bbox="308 976 783 1003" style="list-style-type: none"> 4. Press the start key. The setting is set. <p data-bbox="292 1043 440 1070">Completion</p> <p data-bbox="292 1077 1254 1104">Press the stop key. The screen for selecting a maintenance item No. is displayed.</p>	Display	Description	Setting range	Initial setting	SGL LV MDM	Modem output level	1 to 15	9 (120 V) 10 (220-240 V)	DTMF LV(C)	DTMF output level (main value)	0 to 15.0	5 (120 V) 10.5 (220-240 V)	DTMF LV(D)	DTMF output level (level difference)	0 to 5.5	2 (120 V) 2.5 (220-240 V)
Display	Description	Setting range	Initial setting														
SGL LV MDM	Modem output level	1 to 15	9 (120 V) 10 (220-240 V)														
DTMF LV(C)	DTMF output level (main value)	0 to 15.0	5 (120 V) 10.5 (220-240 V)														
DTMF LV(D)	DTMF output level (level difference)	0 to 5.5	2 (120 V) 2.5 (220-240 V)														

Item No.	Description																								
U660	<p data-bbox="290 241 496 271">Setting the NCU</p> <p data-bbox="290 311 440 340">Description Makes setting regarding the network control unit (NCU).</p> <p data-bbox="290 380 400 409">Purpose To be set when installing the facsimile kit.</p> <p data-bbox="290 486 387 515">Method</p> <ol data-bbox="308 519 999 584" style="list-style-type: none"> 1. Press the start key. 2. Select the item to be set using the cursor up/down keys. <table border="1" data-bbox="336 595 1399 887"> <thead> <tr> <th data-bbox="336 595 639 640">Display</th> <th data-bbox="639 595 1399 640">Description</th> </tr> </thead> <tbody> <tr> <td data-bbox="336 640 639 685">EXCHANGE</td> <td data-bbox="639 640 1399 685">Sets the connection to PBX/PSTN.</td> </tr> <tr> <td data-bbox="336 685 639 730">DIAL TONE</td> <td data-bbox="639 685 1399 730">Sets PSTN dial tone detection.</td> </tr> <tr> <td data-bbox="336 730 639 775">BUSY TONE</td> <td data-bbox="639 730 1399 775">Sets busy tone detection.</td> </tr> <tr> <td data-bbox="336 775 639 819">PBX SETTING</td> <td data-bbox="639 775 1399 819">Setting for a PBX.</td> </tr> <tr> <td data-bbox="336 819 639 887">DC LOOP</td> <td data-bbox="639 819 1399 887">Sets the loop current detection before dialing.</td> </tr> </tbody> </table> <p data-bbox="290 929 754 958">Setting the connection to PBX/PSTN</p> <p data-bbox="290 963 1329 992">Selects if a fax is to be connected to either a PBX or public switched telephone network.</p> <ol data-bbox="308 996 919 1025" style="list-style-type: none"> 1. Select the setting using the cursor up/down keys. <table border="1" data-bbox="336 1039 1399 1187"> <thead> <tr> <th data-bbox="336 1039 639 1084">Display</th> <th data-bbox="639 1039 1399 1084">Description</th> </tr> </thead> <tbody> <tr> <td data-bbox="336 1084 639 1128">PSTN</td> <td data-bbox="639 1084 1399 1128">Connected to the public switched telephone network.</td> </tr> <tr> <td data-bbox="336 1128 639 1187">PBX</td> <td data-bbox="639 1128 1399 1187">Connected to a PBX.</td> </tr> </tbody> </table> <p data-bbox="336 1196 611 1225">* : Initial setting: PSTN</p> <ol data-bbox="308 1229 782 1258" style="list-style-type: none"> 2. Press the start key. The setting is set. <p data-bbox="290 1299 705 1328">Setting PSTN dial tone detection</p> <p data-bbox="290 1332 1425 1397">Selects if the dial tone is detected to check the telephone is off the hook when a fax is connected to a public switched telephone network.</p> <ol data-bbox="308 1402 919 1431" style="list-style-type: none"> 1. Select the setting using the cursor up/down keys. <table border="1" data-bbox="336 1444 1399 1592"> <thead> <tr> <th data-bbox="336 1444 639 1489">Display</th> <th data-bbox="639 1444 1399 1489">Description</th> </tr> </thead> <tbody> <tr> <td data-bbox="336 1489 639 1534">ON</td> <td data-bbox="639 1489 1399 1534">Detects the dial tone.</td> </tr> <tr> <td data-bbox="336 1534 639 1592">OFF</td> <td data-bbox="639 1534 1399 1592">Does not detect the dial tone.</td> </tr> </tbody> </table> <p data-bbox="336 1601 579 1630">* : Initial setting: ON</p> <ol data-bbox="308 1635 782 1664" style="list-style-type: none"> 2. Press the start key. The setting is set. 	Display	Description	EXCHANGE	Sets the connection to PBX/PSTN.	DIAL TONE	Sets PSTN dial tone detection.	BUSY TONE	Sets busy tone detection.	PBX SETTING	Setting for a PBX.	DC LOOP	Sets the loop current detection before dialing.	Display	Description	PSTN	Connected to the public switched telephone network.	PBX	Connected to a PBX.	Display	Description	ON	Detects the dial tone.	OFF	Does not detect the dial tone.
Display	Description																								
EXCHANGE	Sets the connection to PBX/PSTN.																								
DIAL TONE	Sets PSTN dial tone detection.																								
BUSY TONE	Sets busy tone detection.																								
PBX SETTING	Setting for a PBX.																								
DC LOOP	Sets the loop current detection before dialing.																								
Display	Description																								
PSTN	Connected to the public switched telephone network.																								
PBX	Connected to a PBX.																								
Display	Description																								
ON	Detects the dial tone.																								
OFF	Does not detect the dial tone.																								

Item No.	Description																				
U660	<p>Setting busy tone detection</p> <p>When a fax signal is sent, sets whether the line is disconnected immediately after a busy tone is detected, or the busy tone is not detected and the line remains connected until T0 time-out time. Fax transmission may fail due to incorrect busy tone detection. When set to 2, this problem may be prevented. However, the line is not disconnected within the T0 time-out time even if the destination line is busy.</p> <p>1. Select the setting using the cursor up/down keys.</p> <table border="1" data-bbox="336 495 1401 636"> <thead> <tr> <th>Display</th> <th>Description</th> </tr> </thead> <tbody> <tr> <td>ON</td> <td>Detects busy tone.</td> </tr> <tr> <td>OFF</td> <td>Does not detect busy tone.</td> </tr> </tbody> </table> <p>* : Initial setting: ON</p> <p>2. Press the start key. The setting is set.</p> <p>Setting for a PBX</p> <p>Selects the mode to connect an outside call when connected to a PBX. According to the type of the PBX connected, select the mode to connect an outside call.</p> <p>1. Select the setting using the cursor up/down keys.</p> <table border="1" data-bbox="336 898 1401 1090"> <thead> <tr> <th>Display</th> <th>Description</th> </tr> </thead> <tbody> <tr> <td>EARTH</td> <td>Earth mode</td> </tr> <tr> <td>FLASH</td> <td>Flashing mode</td> </tr> <tr> <td>LOOP</td> <td>Code number mode</td> </tr> </tbody> </table> <p>* : Initial setting: LOOP</p> <p>2. Press the start key. The setting is set.</p> <p>Setting the loop current detection before dialing</p> <p>Sets if the loop current detection is performed before dialing.</p> <p>1. Select the setting using the cursor up/down keys.</p> <table border="1" data-bbox="336 1319 1401 1460"> <thead> <tr> <th>Display</th> <th>Description</th> </tr> </thead> <tbody> <tr> <td>ON</td> <td>Performs loop current detection before dialing.</td> </tr> <tr> <td>OFF</td> <td>Does not perform loop current detection before dialing.</td> </tr> </tbody> </table> <p>* : Initial setting: ON</p> <p>2. Press the start key. The setting is set.</p> <p>Completion</p> <p>Press the stop key. The screen for selecting a maintenance item No. is displayed.</p>	Display	Description	ON	Detects busy tone.	OFF	Does not detect busy tone.	Display	Description	EARTH	Earth mode	FLASH	Flashing mode	LOOP	Code number mode	Display	Description	ON	Performs loop current detection before dialing.	OFF	Does not perform loop current detection before dialing.
Display	Description																				
ON	Detects busy tone.																				
OFF	Does not detect busy tone.																				
Display	Description																				
EARTH	Earth mode																				
FLASH	Flashing mode																				
LOOP	Code number mode																				
Display	Description																				
ON	Performs loop current detection before dialing.																				
OFF	Does not perform loop current detection before dialing.																				

Item No.	Description																				
U670	<p data-bbox="290 241 491 273">Outputting lists</p> <p data-bbox="290 309 440 340">Description</p> <p data-bbox="290 344 1388 443">Outputs a list of data regarding fax transmissions. Printing a list is disabled either when a job is remaining in the buffer or when [Pause All Print Jobs] is pressed to halt printing.</p> <p data-bbox="290 448 399 479">Purpose</p> <p data-bbox="290 483 1190 515">To check conditions of use, settings and transmission procedures of the fax.</p> <p data-bbox="290 551 386 582">Method</p> <ol data-bbox="306 586 1037 685" style="list-style-type: none"> 1. Press the start key. 2. Select the item to be output using the cursor up/down keys. 3. Press the start key. The selected list is output. <table border="1" data-bbox="338 698 1401 1281"> <thead> <tr> <th data-bbox="346 710 641 741">Display</th> <th data-bbox="641 710 1393 741">Description</th> </tr> </thead> <tbody> <tr> <td data-bbox="346 752 641 819">SETTING LIST</td> <td data-bbox="641 752 1393 819">Outputs a list of software switches, self telephone number, confidential boxes, ROM versions and other information.</td> </tr> <tr> <td data-bbox="346 831 641 898">ACTION LIST</td> <td data-bbox="641 831 1393 898">Outputs a list of error history, transmission line details and other information.</td> </tr> <tr> <td data-bbox="346 909 641 976">SELF ST REPORT</td> <td data-bbox="641 909 1393 976">Outputs a list of settings in maintenance mode (own-status report) regarding fax transmission only.</td> </tr> <tr> <td data-bbox="346 987 641 1019">PROTOCOL LIST</td> <td data-bbox="641 987 1393 1019">Outputs a list of transmission procedures.</td> </tr> <tr> <td data-bbox="346 1030 641 1061">ERROR LIST</td> <td data-bbox="641 1030 1393 1061">Outputs a list of error.</td> </tr> <tr> <td data-bbox="346 1072 641 1104">ADDR BOOK (No.)</td> <td data-bbox="641 1072 1393 1104">Outputs address book in order IDs were added</td> </tr> <tr> <td data-bbox="346 1115 641 1146">ADDR BOOK (Name)</td> <td data-bbox="641 1115 1393 1146">Outputs address book in order of names</td> </tr> <tr> <td data-bbox="346 1158 641 1189">ONE-TOUCH LIST</td> <td data-bbox="641 1158 1393 1189">Outputs a list of one-touch.</td> </tr> <tr> <td data-bbox="346 1200 641 1232">GROUP LIST</td> <td data-bbox="641 1200 1393 1232">Outputs a list of group.</td> </tr> </tbody> </table> <p data-bbox="290 1326 440 1357">Completion</p> <p data-bbox="290 1361 1257 1393">Press the stop key. The screen for selecting a maintenance item No. is displayed.</p>	Display	Description	SETTING LIST	Outputs a list of software switches, self telephone number, confidential boxes, ROM versions and other information.	ACTION LIST	Outputs a list of error history, transmission line details and other information.	SELF ST REPORT	Outputs a list of settings in maintenance mode (own-status report) regarding fax transmission only.	PROTOCOL LIST	Outputs a list of transmission procedures.	ERROR LIST	Outputs a list of error.	ADDR BOOK (No.)	Outputs address book in order IDs were added	ADDR BOOK (Name)	Outputs address book in order of names	ONE-TOUCH LIST	Outputs a list of one-touch.	GROUP LIST	Outputs a list of group.
Display	Description																				
SETTING LIST	Outputs a list of software switches, self telephone number, confidential boxes, ROM versions and other information.																				
ACTION LIST	Outputs a list of error history, transmission line details and other information.																				
SELF ST REPORT	Outputs a list of settings in maintenance mode (own-status report) regarding fax transmission only.																				
PROTOCOL LIST	Outputs a list of transmission procedures.																				
ERROR LIST	Outputs a list of error.																				
ADDR BOOK (No.)	Outputs address book in order IDs were added																				
ADDR BOOK (Name)	Outputs address book in order of names																				
ONE-TOUCH LIST	Outputs a list of one-touch.																				
GROUP LIST	Outputs a list of group.																				

Item No.	Description																		
U695	<p data-bbox="288 241 596 271">FAX function customize</p> <p data-bbox="288 311 440 340">Description</p> <p data-bbox="288 344 1428 409">Sets fax batch transmission ON/OFF. Also changes the print size priority at the time of small size reception.</p> <p data-bbox="288 414 400 443">Purpose</p> <p data-bbox="288 448 624 477">To be executed as required.</p> <p data-bbox="288 517 384 546">Setting</p> <p data-bbox="308 551 919 580">1. Select the setting using the cursor up/down keys.</p> <table border="1" data-bbox="336 595 1399 741"> <thead> <tr> <th data-bbox="336 595 639 640">Display</th> <th data-bbox="639 595 1399 640">Description</th> </tr> </thead> <tbody> <tr> <td data-bbox="336 640 639 685">FAX BULK TX</td> <td data-bbox="639 640 1399 685">fax batch transmission ON/OFF</td> </tr> <tr> <td data-bbox="336 685 639 741">A5 PT PRI CHG</td> <td data-bbox="639 685 1399 741">Change of print size priority at the time of small size reception</td> </tr> </tbody> </table> <p data-bbox="288 786 592 815">Setting: [FAX BULK TX]</p> <p data-bbox="308 819 919 848">1. Select ON or OFF using the cursor left/right keys.</p> <table border="1" data-bbox="336 864 1399 1010"> <thead> <tr> <th data-bbox="336 864 639 909">Display</th> <th data-bbox="639 864 1399 909">Description</th> </tr> </thead> <tbody> <tr> <td data-bbox="336 909 639 954">ON</td> <td data-bbox="639 909 1399 954">Fax batch transmission is enabled.</td> </tr> <tr> <td data-bbox="336 954 639 1010">OFF</td> <td data-bbox="639 954 1399 1010">Fax batch transmission is disabled.</td> </tr> </tbody> </table> <p data-bbox="336 1016 580 1046">* : Initial setting: ON</p> <p data-bbox="308 1050 783 1079">2. Press the start key. The setting is set.</p> <p data-bbox="288 1124 612 1153">Setting: [A5 PT PRI CHG]</p> <p data-bbox="308 1158 919 1187">1. Select ON or OFF using the cursor left/right keys.</p> <table border="1" data-bbox="336 1202 1399 1348"> <thead> <tr> <th data-bbox="336 1202 639 1247">Display</th> <th data-bbox="639 1202 1399 1247">Description</th> </tr> </thead> <tbody> <tr> <td data-bbox="336 1247 639 1292">ON</td> <td data-bbox="639 1247 1399 1292">At the time of A5 size reception: A5→B5→A4</td> </tr> <tr> <td data-bbox="336 1292 639 1348">OFF</td> <td data-bbox="639 1292 1399 1348">At the time of A5 size reception: A5→A4→B5</td> </tr> </tbody> </table> <p data-bbox="336 1355 592 1384">* : Initial setting: OFF</p> <p data-bbox="308 1388 783 1417">2. Press the start key. The setting is set.</p> <p data-bbox="288 1462 440 1491">Completion</p> <p data-bbox="288 1496 1254 1525">Press the stop key. The screen for selecting a maintenance item No. is displayed.</p>	Display	Description	FAX BULK TX	fax batch transmission ON/OFF	A5 PT PRI CHG	Change of print size priority at the time of small size reception	Display	Description	ON	Fax batch transmission is enabled.	OFF	Fax batch transmission is disabled.	Display	Description	ON	At the time of A5 size reception: A5→B5→A4	OFF	At the time of A5 size reception: A5→A4→B5
Display	Description																		
FAX BULK TX	fax batch transmission ON/OFF																		
A5 PT PRI CHG	Change of print size priority at the time of small size reception																		
Display	Description																		
ON	Fax batch transmission is enabled.																		
OFF	Fax batch transmission is disabled.																		
Display	Description																		
ON	At the time of A5 size reception: A5→B5→A4																		
OFF	At the time of A5 size reception: A5→A4→B5																		

Item No.	Description																																														
U699	<p data-bbox="288 241 667 271">Setting the software switches</p> <p data-bbox="288 311 440 340">Description</p> <p data-bbox="288 344 1046 374">Sets the software switches on the FAX control PWB individually.</p> <p data-bbox="288 380 400 409">Purpose</p> <p data-bbox="288 414 1366 515">To change the setting when a problem such as split output of received originals occurs. Since the communication performance is largely affected, normally this setting need not be changed.</p> <p data-bbox="288 555 387 584">Method</p> <ol data-bbox="304 589 1390 790" style="list-style-type: none"> 1. Press the start key. 2. Press [SW No.]. 3. Enter the desired software switch number (3 digits) using the numeric keys and press the enter key. 4. Use numeric keys 7 to 0 to switch each bit between 0 and 1. 5. Press the start key to set the value. <p data-bbox="288 831 440 860">Completion</p> <p data-bbox="288 864 1254 893">Press the stop key. The screen for selecting a maintenance item No. is displayed.</p> <p data-bbox="288 934 1102 963">List of Software Switches of Which the Setting Can Be Changed</p> <p data-bbox="288 1003 762 1032"><Communication control procedure></p> <table border="1" data-bbox="336 1046 1399 2004"> <thead> <tr> <th data-bbox="336 1046 427 1090">No.</th> <th data-bbox="427 1046 595 1090">Bit</th> <th data-bbox="595 1046 1399 1090">Item</th> </tr> </thead> <tbody> <tr> <td data-bbox="336 1090 427 1189" rowspan="2">36</td> <td data-bbox="427 1090 595 1144">7654</td> <td data-bbox="595 1090 1399 1144">Coding format in transmission</td> </tr> <tr> <td data-bbox="427 1144 595 1189">3210</td> <td data-bbox="595 1144 1399 1189">Coding format in reception</td> </tr> <tr> <td data-bbox="336 1189 427 1476" rowspan="6">37</td> <td data-bbox="427 1189 595 1243">5</td> <td data-bbox="595 1189 1399 1243">33600 bps/V34</td> </tr> <tr> <td data-bbox="427 1243 595 1296">4</td> <td data-bbox="595 1243 1399 1296">31200 bps/V34</td> </tr> <tr> <td data-bbox="427 1296 595 1350">3</td> <td data-bbox="595 1296 1399 1350">28800 bps/V34</td> </tr> <tr> <td data-bbox="427 1350 595 1404">2</td> <td data-bbox="595 1350 1399 1404">26400 bps/V34</td> </tr> <tr> <td data-bbox="427 1404 595 1458">1</td> <td data-bbox="595 1404 1399 1458">24000 bps/V34</td> </tr> <tr> <td data-bbox="427 1458 595 1512">0</td> <td data-bbox="595 1458 1399 1512">21600 bps/V34</td> </tr> <tr> <td data-bbox="336 1512 427 1861" rowspan="8">38</td> <td data-bbox="427 1512 595 1565">7</td> <td data-bbox="595 1512 1399 1565">19200 bps/V34</td> </tr> <tr> <td data-bbox="427 1565 595 1619">6</td> <td data-bbox="595 1565 1399 1619">16800 bps/V34</td> </tr> <tr> <td data-bbox="427 1619 595 1673">5</td> <td data-bbox="595 1619 1399 1673">14400 bps/V34</td> </tr> <tr> <td data-bbox="427 1673 595 1727">4</td> <td data-bbox="595 1673 1399 1727">12000 bps/V34</td> </tr> <tr> <td data-bbox="427 1727 595 1780">3</td> <td data-bbox="595 1727 1399 1780">9600 bps/V34</td> </tr> <tr> <td data-bbox="427 1780 595 1834">2</td> <td data-bbox="595 1780 1399 1834">7200 bps/V34</td> </tr> <tr> <td data-bbox="427 1834 595 1888">1</td> <td data-bbox="595 1834 1399 1888">4800 bps/V34</td> </tr> <tr> <td data-bbox="427 1888 595 1942">0</td> <td data-bbox="595 1888 1399 1942">2400 bps/V34</td> </tr> <tr> <td data-bbox="336 1942 427 1995">41</td> <td data-bbox="427 1942 595 1995">3</td> <td data-bbox="595 1942 1399 1995">FSK detection in V.8</td> </tr> <tr> <td data-bbox="336 1995 427 2033" rowspan="2">42</td> <td data-bbox="427 1995 595 2049">4</td> <td data-bbox="595 1995 1399 2049">4800 bps when low-speed setting is active</td> </tr> <tr> <td data-bbox="427 2049 595 2033">2</td> <td data-bbox="595 2049 1399 2033">FIF length in transmission of more than 4 times of DIS/DTC signal</td> </tr> </tbody> </table>	No.	Bit	Item	36	7654	Coding format in transmission	3210	Coding format in reception	37	5	33600 bps/V34	4	31200 bps/V34	3	28800 bps/V34	2	26400 bps/V34	1	24000 bps/V34	0	21600 bps/V34	38	7	19200 bps/V34	6	16800 bps/V34	5	14400 bps/V34	4	12000 bps/V34	3	9600 bps/V34	2	7200 bps/V34	1	4800 bps/V34	0	2400 bps/V34	41	3	FSK detection in V.8	42	4	4800 bps when low-speed setting is active	2	FIF length in transmission of more than 4 times of DIS/DTC signal
No.	Bit	Item																																													
36	7654	Coding format in transmission																																													
	3210	Coding format in reception																																													
37	5	33600 bps/V34																																													
	4	31200 bps/V34																																													
	3	28800 bps/V34																																													
	2	26400 bps/V34																																													
	1	24000 bps/V34																																													
	0	21600 bps/V34																																													
38	7	19200 bps/V34																																													
	6	16800 bps/V34																																													
	5	14400 bps/V34																																													
	4	12000 bps/V34																																													
	3	9600 bps/V34																																													
	2	7200 bps/V34																																													
	1	4800 bps/V34																																													
	0	2400 bps/V34																																													
41	3	FSK detection in V.8																																													
42	4	4800 bps when low-speed setting is active																																													
	2	FIF length in transmission of more than 4 times of DIS/DTC signal																																													

Item No.	Description		
U699	<Communication time setting>		
	No.	Bit	Item
	53	76543210	T3 timeout setting
	54	76543210	T4 timeout setting (automatic equipment)
	55	76543210	T5 timeout setting
	60	76543210	Time before transmission of CNG (1100 Hz) signal
	63	76543210	T0 timeout setting (manual equipment)
	64	7	Phase C timeout in ECM reception
	66	76543210	Timeout 1 in countermeasures against echo
	68	76543210	Timeout for FSK detection start in V.8
	<Modem setting>		
	No.	Bit	Item
	89	76543	RX gain adjust
	<NCU setting>		
	No.	Bit	Item
	121	7654	Dial tone/busy tone detection pattern
	122	7654	Busy tone detection pattern
		1	Busy tone detection in automatic FAX/TEL switching
	125	76543210	Access code registration for connection to PSTN
	126	7654	FAX/TEL automatic switching ringback tone ON/OFF cycle
	<Calling time setting>		
	No.	Bit	Item
	133	76543210	DTMF signal transmission time
	134	76543210	DTMF signal pause time
	141	76543210	Ringer detection cycle (minimum)
	142	76543210	Ringer detection cycle (maximum)
	143	76543210	Ringer ON time detection
	144	76543210	Ringer OFF time detection
	145	76543210	Ringer OFF non-detection time
	147	76543210	Dial tone detection time (continuous tone)
	148	76543210	Allowable dial tone interruption time
149	76543210	Time for transmitting selection signal after closing the DC circuit	
151	76543210	Ringer frequency detection invalid time	

Item No.	Description
U910	<p data-bbox="292 241 651 275">Clearing the black ratio data</p> <p data-bbox="292 315 440 342">Description</p> <p data-bbox="292 349 919 376">Clears the accumulated black ratio data for A4 sheet.</p> <p data-bbox="292 387 400 414">Purpose</p> <p data-bbox="292 421 1126 448">To clear data as required at times such as during maintenance service.</p> <p data-bbox="292 488 387 515">Method</p> <ol data-bbox="308 521 1094 622" style="list-style-type: none">1. Press the start key.2. Select [ALL CLEAR] using the cursor up/down keys.3. Press the start key. The accumulated black ratio data is cleared. <p data-bbox="292 663 440 689">Completion</p> <p data-bbox="292 696 1254 723">Press the stop key. The screen for selecting a maintenance item No. is displayed.</p>

Item No.	Description																														
U917	<p data-bbox="288 241 746 275">Setting backup data reading/writing</p> <p data-bbox="288 311 440 340">Description</p> <p data-bbox="288 344 1425 409">Retrieves the backup data to a USB memory from the machine; or writes the data from the USB memory to the machine.</p> <p data-bbox="288 414 400 443">Purpose</p> <p data-bbox="288 448 957 479">To store and write data when replacing the control PWB.</p> <p data-bbox="288 515 387 544">Method</p> <ol data-bbox="304 551 1425 826" style="list-style-type: none"> Press the power key on the operation panel, and after verifying the power indicator has gone off, switch off the main power switch. Insert USB memory in USB memory slot. Turn the main power switch on. Wait for 10 seconds to allow the machine to recognize the USB memory. Enter the maintenance item. Press the start key. Select [Export] or [Import] using the cursor up/down keys and press the start key. <table border="1" data-bbox="336 837 1401 983"> <thead> <tr> <th data-bbox="336 837 639 882">Display</th> <th data-bbox="639 837 1401 882">Description</th> </tr> </thead> <tbody> <tr> <td data-bbox="336 882 639 927">IMPORT</td> <td data-bbox="639 882 1401 927">Writing data from the USB memory to the machine</td> </tr> <tr> <td data-bbox="336 927 639 983">EXPORT</td> <td data-bbox="639 927 1401 983">Retrieving from the machine to a USB memory</td> </tr> </tbody> </table> <ol data-bbox="304 994 890 1025" style="list-style-type: none"> Select the item using the cursor up/down keys. <table border="1" data-bbox="336 1037 1401 1559"> <thead> <tr> <th data-bbox="336 1037 549 1081">Display</th> <th data-bbox="549 1037 927 1081">Description</th> <th data-bbox="927 1037 1401 1081">Depending data</th> </tr> </thead> <tbody> <tr> <td data-bbox="336 1081 549 1160">ADDRESS BOOK</td> <td data-bbox="549 1081 927 1160">Address book</td> <td data-bbox="927 1081 1401 1160">-</td> </tr> <tr> <td data-bbox="336 1160 549 1205">JOB ACCNT.</td> <td data-bbox="549 1160 927 1205">Job accounting</td> <td data-bbox="927 1160 1401 1205">-</td> </tr> <tr> <td data-bbox="336 1205 549 1249">ONE TOUCH</td> <td data-bbox="549 1205 927 1249">Information on one-touch key</td> <td data-bbox="927 1205 1401 1249">Address book</td> </tr> <tr> <td data-bbox="336 1249 549 1294">USER</td> <td data-bbox="549 1249 927 1294">User managements</td> <td data-bbox="927 1249 1401 1294">Job accounting</td> </tr> <tr> <td data-bbox="336 1294 549 1373">PROGRAM</td> <td data-bbox="549 1294 927 1373">Program information</td> <td data-bbox="927 1294 1401 1373">Job accountings and user managements</td> </tr> <tr> <td data-bbox="336 1373 549 1451">DOCUMENT BOX</td> <td data-bbox="549 1373 927 1451">Document box information</td> <td data-bbox="927 1373 1401 1451">Job accountings and user managements</td> </tr> <tr> <td data-bbox="336 1451 549 1559">FAX FORWARD</td> <td data-bbox="549 1451 927 1559">FAX transfer information</td> <td data-bbox="927 1451 1401 1559">Job accountings, user managements and document box information</td> </tr> </tbody> </table> <p data-bbox="336 1570 1353 1632">* : Since data are dependent with each other, data other than those assigned are also retrieved or written in.</p> <ol data-bbox="304 1637 1390 1839" style="list-style-type: none"> Select [ON] using the cursor left/right keys. Press the start key. Starts reading or writing. The progress of selected item is displayed in %. When an error occurs, the operation is canceled and an error code is displayed. When normally completed, [FIN] is displayed. Turn the main power switch off and on after completing writing when selecting [IMPORT]. 	Display	Description	IMPORT	Writing data from the USB memory to the machine	EXPORT	Retrieving from the machine to a USB memory	Display	Description	Depending data	ADDRESS BOOK	Address book	-	JOB ACCNT.	Job accounting	-	ONE TOUCH	Information on one-touch key	Address book	USER	User managements	Job accounting	PROGRAM	Program information	Job accountings and user managements	DOCUMENT BOX	Document box information	Job accountings and user managements	FAX FORWARD	FAX transfer information	Job accountings, user managements and document box information
Display	Description																														
IMPORT	Writing data from the USB memory to the machine																														
EXPORT	Retrieving from the machine to a USB memory																														
Display	Description	Depending data																													
ADDRESS BOOK	Address book	-																													
JOB ACCNT.	Job accounting	-																													
ONE TOUCH	Information on one-touch key	Address book																													
USER	User managements	Job accounting																													
PROGRAM	Program information	Job accountings and user managements																													
DOCUMENT BOX	Document box information	Job accountings and user managements																													
FAX FORWARD	FAX transfer information	Job accountings, user managements and document box information																													

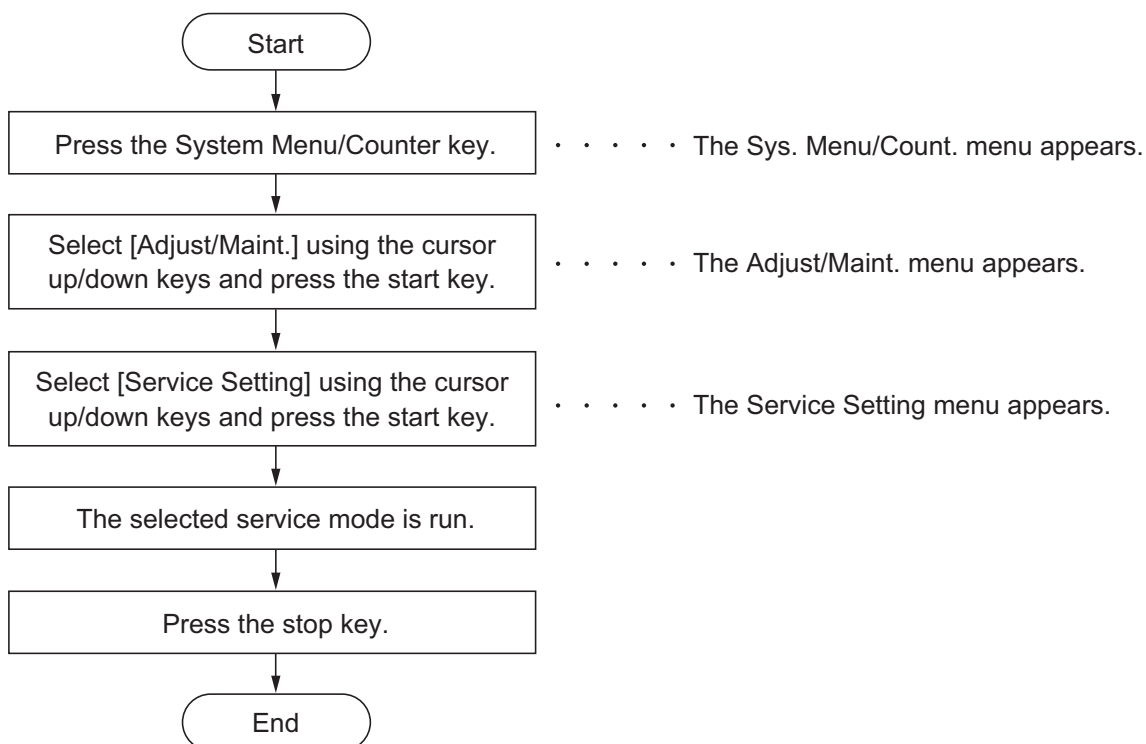
Item No.	Description			
U917	Error Codes			
	Codes	Description	Codes	Description
	e002	Parameter error	e31e	User managements error
	e003	File write error	e31f	User managements open error
	e004	File initialization error	e320	User managements error
	e005	File error	e410	Box file open error
	e006	Processing error	e411	Box error in writing
	e010	Address book clear error (contact)	e412	Box error in reading
	e011	Address book open error (contact)	e413	Box list error
	e012	Address book list error (contact)	e414	Box list error
	e013	Address book list error (contact)	e415	Box error
	e014	Address book clear error (group)	e416	Box error
	e015	Address book open error (group)	e417	Box open error
	e016	Address book list error (group)	e418	Box close error
	e017	Address book list error (group)	e419	Box creation error
	e110	Job accounting clear error	e41a	Box creation error
	e111	Job accounting open error	e41b	Box deletion error
	e112	Job accounting open error	e41c	Box movement error
	e113	Job accounting error in writing	e510	Program error in writing
	e114	Job accounting list error	e511	Program error in reading
	e115	Job accounting list error	e710	Fax memory open error
	e210	One-touch open error	e711	Fax memory initialization error
	e211	One-touch list error	e712	Fax memory list error
	e212	One-touch list error	e713	Fax memory error
	e310	User managements backup error	e714	Fax memory error
	e311	User managements clear error	e715	Fax memory mode error
	e312	User managements open error	e716	Fax memory error
	e313	User managements open error	e717	Fax memory error
	e314	User managements open error	e718	Fax memory mode error
	e315	User managements error in writing	e910	File reading error
	e316	User managements list error	e911	File writing error
	e317	User managements list error	e912	Data mismatch
	e318	User managements list error	e913	Log file open error
	e319	User managements list error	e914	Log file error in writing
	e31a	User managements open error	e915	Directory open error
	e31b	User managements error	e916	Directory error in reading
	e31c	User managements error	e917	Synchronization error
	e31d	User managements open error	e918	Synchronization error

Item No.	Description																																																		
U917	Error Codes																																																		
	<table border="1"> <thead> <tr> <th data-bbox="295 286 414 331">Codes</th> <th data-bbox="414 286 901 331">Description</th> </tr> </thead> <tbody> <tr><td>d000</td><td>Unspecified error</td></tr> <tr><td>d001</td><td>HDD unavailable</td></tr> <tr><td>d002</td><td>USB memory is not inserted</td></tr> <tr><td>d003</td><td>File for writing is not found in the USB</td></tr> <tr><td>d004</td><td>File for reading is not found in the HDD</td></tr> <tr><td>d005</td><td>USB error in writing</td></tr> <tr><td>d006</td><td>USB error in reading</td></tr> <tr><td>d007</td><td>USB unmount error</td></tr> <tr><td>d008</td><td>File rename error</td></tr> <tr><td>d009</td><td>File open error</td></tr> <tr><td>d00a</td><td>File close error</td></tr> </tbody> </table>		Codes	Description	d000	Unspecified error	d001	HDD unavailable	d002	USB memory is not inserted	d003	File for writing is not found in the USB	d004	File for reading is not found in the HDD	d005	USB error in writing	d006	USB error in reading	d007	USB unmount error	d008	File rename error	d009	File open error	d00a	File close error	<table border="1"> <thead> <tr> <th data-bbox="901 286 1021 331">Codes</th> <th data-bbox="1021 286 1441 331">Description</th> </tr> </thead> <tbody> <tr><td>d00b</td><td>File reading error</td></tr> <tr><td>d00c</td><td>File writing error</td></tr> <tr><td>d00d</td><td>File copy error</td></tr> <tr><td>d00e</td><td>File compressed error</td></tr> <tr><td>d00f</td><td>File decompressed error</td></tr> <tr><td>d010</td><td>Directory open error</td></tr> <tr><td>d011</td><td>Directory creation error</td></tr> <tr><td>d012</td><td>File writing error</td></tr> <tr><td>d013</td><td>File reading error</td></tr> <tr><td>d014</td><td>File deletion error</td></tr> <tr><td>d015</td><td>File copy error to the USB</td></tr> </tbody> </table>		Codes	Description	d00b	File reading error	d00c	File writing error	d00d	File copy error	d00e	File compressed error	d00f	File decompressed error	d010	Directory open error	d011	Directory creation error	d012	File writing error	d013	File reading error	d014	File deletion error	d015
Codes	Description																																																		
d000	Unspecified error																																																		
d001	HDD unavailable																																																		
d002	USB memory is not inserted																																																		
d003	File for writing is not found in the USB																																																		
d004	File for reading is not found in the HDD																																																		
d005	USB error in writing																																																		
d006	USB error in reading																																																		
d007	USB unmount error																																																		
d008	File rename error																																																		
d009	File open error																																																		
d00a	File close error																																																		
Codes	Description																																																		
d00b	File reading error																																																		
d00c	File writing error																																																		
d00d	File copy error																																																		
d00e	File compressed error																																																		
d00f	File decompressed error																																																		
d010	Directory open error																																																		
d011	Directory creation error																																																		
d012	File writing error																																																		
d013	File reading error																																																		
d014	File deletion error																																																		
d015	File copy error to the USB																																																		
U977	Data capture mode																																																		
	<p data-bbox="295 1438 438 1469">Description</p> <p data-bbox="295 1473 981 1505">Store the print data sent to the machine into USB memory.</p> <p data-bbox="295 1509 399 1541">Purpose</p> <p data-bbox="295 1545 1204 1576">In case to occur the error at printing, check the print data sent to the machine.</p> <p data-bbox="295 1612 391 1644">Method</p> <ol data-bbox="311 1648 821 1886" style="list-style-type: none"> 1. Insert USB memory in USB memory slot. 2. Turn the main power switch on. 3. Enter the maintenance item. 4. Press the start key. 5. Select [EXECUTE]. 6. Press the start key. 7. Send the print data to the machine. <p data-bbox="335 1890 1149 1921">Once the print data is stored into USB memory, OK will be displayed.</p> <p data-bbox="295 1957 438 1989">Completion</p> <p data-bbox="295 1993 1252 2024">Press the stop key. The screen for selecting a maintenance item No. is displayed.</p>																																																		

1-3-2 Service mode

The machine is equipped with a maintenance function which can be used to maintain and service the machine.

(1) Executing a service mode



(2) Description of service mode

Service items	Description
Service Status	<p>Printing a status page for service purpose</p> <p>Description Prints a status page for service purpose. The status page includes various settings and service cumulative.</p> <p>Purpose To acquire the current printing environmental parameters and cumulative information.</p> <p>Method</p> <ol style="list-style-type: none">1. Enter the Service Setting menu.2. Select [Service Status] using the cursor up/down keys.3. Press the start key.4. Press [Yes] (the Left Select key). Two pages will be printed. <p>Completion Press the stop key.</p>

Service items	Description																														
	<p data-bbox="387 241 683 275">Service status page (1)</p> <div data-bbox="338 304 1396 1765" style="border: 1px solid black; padding: 10px;"> <p data-bbox="363 331 801 376">Service Status Page</p> <p data-bbox="363 378 422 405">MFP</p> <p data-bbox="1150 374 1342 400">(2) 30/06/2010 12:00</p> <p data-bbox="352 430 831 456">(1) Firmware version 2MG_2000.000.000 2009.08.09</p> <p data-bbox="979 407 1353 456">(3) [XXXXXXXX] (4) [XXXXXXXX] (5) [XXXXXXXX]</p> <hr/> <p data-bbox="368 506 655 533">Controller Information</p> <p data-bbox="400 539 544 566">Memory status</p> <table data-bbox="363 566 702 645"> <tr> <td>(7) Standard Size</td> <td>128.0 KB</td> </tr> <tr> <td>(8) Option Slot</td> <td>128.0 KB</td> </tr> <tr> <td>(9) Total Size</td> <td>256.0 KB</td> </tr> </table> <p data-bbox="874 566 1050 593">(26) FRPO Status</p> <table data-bbox="922 593 1353 645"> <tr> <td>User Top Margin</td> <td>A1+A2/100</td> <td>0.00</td> </tr> <tr> <td>User Left Margin</td> <td>A3+A4/100</td> <td>0.00</td> </tr> </table> <p data-bbox="400 674 448 701">Time</p> <table data-bbox="352 701 774 779"> <tr> <td>(10) Local Time Zone</td> <td>+01:00 Tokio</td> </tr> <tr> <td>(11) Date and Time</td> <td>06/04/2010 12:00</td> </tr> <tr> <td>(12) Time Server</td> <td>10.183.53.13</td> </tr> </table> <p data-bbox="400 808 568 835">Installed Options</p> <table data-bbox="352 835 762 913"> <tr> <td>(13) Paper Feeder</td> <td>Cassette</td> </tr> <tr> <td>(14) Memory Card</td> <td>Not Installed</td> </tr> <tr> <td>(15) Card Authentication Kit (B)</td> <td>Installed</td> </tr> </table> <p data-bbox="400 947 544 974">Print Coverage</p> <p data-bbox="352 974 879 1001">(15) Average(%) / Usage Page(A4/Letter Conversion)</p> <p data-bbox="352 1001 662 1050">(17) Total K: 1.10 / 1111111.11</p> <p data-bbox="352 1052 662 1102">(18) Copy K: 1.10 / 1111111.11</p> <p data-bbox="352 1104 662 1153">(19) Printer K: 1.10 / 1111111.11</p> <p data-bbox="352 1155 662 1205">(20) FAX K: 1.10 / 1111111.11</p> <p data-bbox="352 1207 853 1234">(21) Period (27/10/2009 - 03/11/2009 08:40)</p> <p data-bbox="352 1236 614 1263">(22) Last Page (%) 1.00</p> <p data-bbox="927 1256 1332 1283">PDF mode Y5 00</p> <p data-bbox="400 1312 560 1339">FAX Information</p> <table data-bbox="352 1339 630 1417"> <tr> <td>(23) Rings (Normal)</td> <td>3</td> </tr> <tr> <td>(24) Rings (FAX/TEL)</td> <td>3</td> </tr> <tr> <td>(25) Rings (TAD)</td> <td>3</td> </tr> </table> <hr/> <p data-bbox="858 1697 874 1724">1</p> <p data-bbox="1094 1697 1361 1724">(6) [XXXXXXXXXXXXXXXXXXXX]</p> </div>	(7) Standard Size	128.0 KB	(8) Option Slot	128.0 KB	(9) Total Size	256.0 KB	User Top Margin	A1+A2/100	0.00	User Left Margin	A3+A4/100	0.00	(10) Local Time Zone	+01:00 Tokio	(11) Date and Time	06/04/2010 12:00	(12) Time Server	10.183.53.13	(13) Paper Feeder	Cassette	(14) Memory Card	Not Installed	(15) Card Authentication Kit (B)	Installed	(23) Rings (Normal)	3	(24) Rings (FAX/TEL)	3	(25) Rings (TAD)	3
(7) Standard Size	128.0 KB																														
(8) Option Slot	128.0 KB																														
(9) Total Size	256.0 KB																														
User Top Margin	A1+A2/100	0.00																													
User Left Margin	A3+A4/100	0.00																													
(10) Local Time Zone	+01:00 Tokio																														
(11) Date and Time	06/04/2010 12:00																														
(12) Time Server	10.183.53.13																														
(13) Paper Feeder	Cassette																														
(14) Memory Card	Not Installed																														
(15) Card Authentication Kit (B)	Installed																														
(23) Rings (Normal)	3																														
(24) Rings (FAX/TEL)	3																														
(25) Rings (TAD)	3																														

Figure 1-3-4

Service items	Description	
	Detail of service status page	
	No.	Description
		Supplement
(1)	Firmware version	-
(2)	System date	-
(3)	Engine soft version	-
(4)	Engine boot version	-
(5)	Operation panel mask version	-
(6)	Machine serial number	-
(7)	Standard memory size	-
(8)	Optional memory size	-
(9)	Total memory size	-
(10)	Local time zone	-
(11)	Report output date	-
(12)	NTP server name	-
(13)	Presence or absence of the optional paper feeder	Paper feeder 2/Paper feeder 3/Paper feeder 4
(14)	Presence or absence of the optional memory card	-
(15)	Presence or absence of the card authentication kit (B)	-
(16)	Page of relation to the A4/Letter	-
(17)	Average coverage for total	-
(18)	Average coverage for copy	-
(19)	Average coverage for printer	-
(20)	Average coverage for fax	-
(21)	Cleared date and output date	-
(22)	Coverage on the final output page	-
(23)	Number of rings	0 to 15
(24)	Number of rings before automatic switching	0 to 15
(25)	Number of rings before connecting to answering machine	0 to 15
(26)	FRPO setting	-

Service items	Description																																																								
	<table border="1"> <thead> <tr> <th data-bbox="295 286 386 331">No.</th> <th data-bbox="386 286 798 331">Description</th> <th data-bbox="798 286 1423 331">Supplement</th> </tr> </thead> <tr> <td data-bbox="295 331 386 969">(27)</td> <td data-bbox="386 331 798 969">NV RAM version</td> <td data-bbox="798 331 1423 969"> _ 1F3 1225 _ 1F3 1225 (a) (b) (c) (d) (e) (f) (a) Consistency of the present software version and the database _ (underscore): OK * (Asterisk): NG (b) Database version (c) The oldest time stamp of database version (d) Consistency of the present software version and the ME firmware version _ (underscore): OK * (Asterisk): NG (e) ME firmware version (f) The oldest time stamp of the ME database version Normal if (a) and (d) are underscored, and (b) and (e) are identical with (c) and (f). </td> </tr> <tr> <td data-bbox="295 969 386 1014">(28)</td> <td data-bbox="386 969 798 1014">Scanner firmware version</td> <td data-bbox="798 969 1423 1014">-</td> </tr> <tr> <td data-bbox="295 1014 386 1059">(29)</td> <td data-bbox="386 1014 798 1059">Fax firmware version</td> <td data-bbox="798 1014 1423 1059">-</td> </tr> <tr> <td data-bbox="295 1059 386 1104">(30)</td> <td data-bbox="386 1059 798 1104">Mac address</td> <td data-bbox="798 1059 1423 1104">-</td> </tr> <tr> <td data-bbox="295 1104 386 1149">(31)</td> <td data-bbox="386 1104 798 1149">Number of original feed from DP</td> <td data-bbox="798 1104 1423 1149">-</td> </tr> <tr> <td data-bbox="295 1149 386 1193">(32)</td> <td data-bbox="386 1149 798 1193">The last sent date and time</td> <td data-bbox="798 1149 1423 1193">-</td> </tr> <tr> <td data-bbox="295 1193 386 1238">(33)</td> <td data-bbox="386 1193 798 1238">Transmission address</td> <td data-bbox="798 1193 1423 1238">-</td> </tr> <tr> <td data-bbox="295 1238 386 1283">(34)</td> <td data-bbox="386 1238 798 1283">Destination information</td> <td data-bbox="798 1238 1423 1283">-</td> </tr> <tr> <td data-bbox="295 1283 386 1328">(35)</td> <td data-bbox="386 1283 798 1328">Area information</td> <td data-bbox="798 1283 1423 1328">-</td> </tr> <tr> <td data-bbox="295 1328 386 1373">(36)</td> <td data-bbox="386 1328 798 1373">Margin settings</td> <td data-bbox="798 1328 1423 1373">Top margin/Left margin</td> </tr> <tr> <td data-bbox="295 1373 386 1417">(37)</td> <td data-bbox="386 1373 798 1417">Top offset setting</td> <td data-bbox="798 1373 1423 1417">-</td> </tr> <tr> <td data-bbox="295 1417 386 1462">(38)</td> <td data-bbox="386 1417 798 1462">Left offset setting</td> <td data-bbox="798 1417 1423 1462">-</td> </tr> <tr> <td data-bbox="295 1462 386 1641">(39)</td> <td data-bbox="386 1462 798 1641">Margin/Page length/Page width settings</td> <td data-bbox="798 1462 1423 1641">Top margin integer part/Top margin decimal part/ Left margin integer part/Left margin decimal part/ Page length integer part/Page length decimal part/ Page width integer part/Page width decimal part</td> </tr> <tr> <td data-bbox="295 1641 386 1731" rowspan="2">(40)</td> <td data-bbox="386 1641 798 1731">Life counter (The first line)</td> <td data-bbox="798 1641 1423 1731">Machine life/MP tray/Cassette 1/Cassette 2/ Cassette 3/Cassette 4 /Duplex</td> </tr> <tr> <td data-bbox="386 1731 798 1776">Life counter (The second line)</td> <td data-bbox="798 1731 1423 1776">Maintenance kit</td> </tr> <tr> <td data-bbox="295 1776 386 1821">(41)</td> <td data-bbox="386 1776 798 1821">Panel lock information</td> <td data-bbox="798 1776 1423 1821">0: OFF/1: Partial lock/2: Full lock</td> </tr> <tr> <td data-bbox="295 1821 386 1865">(42)</td> <td data-bbox="386 1821 798 1865">USB information</td> <td data-bbox="798 1821 1423 1865">0: Not installed/1: Full speed/2: Hi speed</td> </tr> <tr> <td data-bbox="295 1865 386 1921">(43)</td> <td data-bbox="386 1865 798 1921">Paper handling information</td> <td data-bbox="798 1865 1423 1921">0: Paper source unit select/1: Paper source unit</td> </tr> </table>	No.	Description	Supplement	(27)	NV RAM version	_ 1F3 1225 _ 1F3 1225 (a) (b) (c) (d) (e) (f) (a) Consistency of the present software version and the database _ (underscore): OK * (Asterisk): NG (b) Database version (c) The oldest time stamp of database version (d) Consistency of the present software version and the ME firmware version _ (underscore): OK * (Asterisk): NG (e) ME firmware version (f) The oldest time stamp of the ME database version Normal if (a) and (d) are underscored, and (b) and (e) are identical with (c) and (f).	(28)	Scanner firmware version	-	(29)	Fax firmware version	-	(30)	Mac address	-	(31)	Number of original feed from DP	-	(32)	The last sent date and time	-	(33)	Transmission address	-	(34)	Destination information	-	(35)	Area information	-	(36)	Margin settings	Top margin/Left margin	(37)	Top offset setting	-	(38)	Left offset setting	-	(39)	Margin/Page length/Page width settings	Top margin integer part/Top margin decimal part/ Left margin integer part/Left margin decimal part/ Page length integer part/Page length decimal part/ Page width integer part/Page width decimal part	(40)	Life counter (The first line)	Machine life/MP tray/Cassette 1/Cassette 2/ Cassette 3/Cassette 4 /Duplex	Life counter (The second line)	Maintenance kit	(41)	Panel lock information	0: OFF/1: Partial lock/2: Full lock	(42)	USB information	0: Not installed/1: Full speed/2: Hi speed	(43)	Paper handling information	0: Paper source unit select/1: Paper source unit
No.	Description	Supplement																																																							
(27)	NV RAM version	_ 1F3 1225 _ 1F3 1225 (a) (b) (c) (d) (e) (f) (a) Consistency of the present software version and the database _ (underscore): OK * (Asterisk): NG (b) Database version (c) The oldest time stamp of database version (d) Consistency of the present software version and the ME firmware version _ (underscore): OK * (Asterisk): NG (e) ME firmware version (f) The oldest time stamp of the ME database version Normal if (a) and (d) are underscored, and (b) and (e) are identical with (c) and (f).																																																							
(28)	Scanner firmware version	-																																																							
(29)	Fax firmware version	-																																																							
(30)	Mac address	-																																																							
(31)	Number of original feed from DP	-																																																							
(32)	The last sent date and time	-																																																							
(33)	Transmission address	-																																																							
(34)	Destination information	-																																																							
(35)	Area information	-																																																							
(36)	Margin settings	Top margin/Left margin																																																							
(37)	Top offset setting	-																																																							
(38)	Left offset setting	-																																																							
(39)	Margin/Page length/Page width settings	Top margin integer part/Top margin decimal part/ Left margin integer part/Left margin decimal part/ Page length integer part/Page length decimal part/ Page width integer part/Page width decimal part																																																							
(40)	Life counter (The first line)	Machine life/MP tray/Cassette 1/Cassette 2/ Cassette 3/Cassette 4 /Duplex																																																							
	Life counter (The second line)	Maintenance kit																																																							
(41)	Panel lock information	0: OFF/1: Partial lock/2: Full lock																																																							
(42)	USB information	0: Not installed/1: Full speed/2: Hi speed																																																							
(43)	Paper handling information	0: Paper source unit select/1: Paper source unit																																																							

 |

Service items	Description																						
	No.	Description	Supplement																				
	(44)	Black and white printing double count mode	0: All single counts 3: Folio, Single count, Less than 330 mm (length)																				
	(45)	Billing counting timing	-																				
	(46)	Temperature (machine inside)	-																				
	(47)	Temperature (machine outside)	-																				
	(48)	Relative temperature (machine outside)	-																				
	(49)	Absolute temperature (machineoutside)	-																				
	(50)	LXI calibration information	-																				
	(51)	Fixed assets number	-																				
	(52)	Job end judgment time-out time	-																				
	(53)	Job end detection mode	-																				
	(54)	Media type attributes 1 to 28 (Not used: 18, 19, 20)	Weight settings 0: Light/1: Normal 1 / 2: Normal 2 / 3: Normal 3/ 4: Heavy 1 / 5: Heavy 2 / 6: Heavy 3 / 7: Extra Heavy Fuser settings 0: High / 1: Middle / 2: Low / 3: Vellum Duplex settings 0: Disable / 1: Enable																				
	(55)	RFID information	-																				
	(56)	RFID reader/writer version information	-																				
	(57)	Toner installation mode information	-																				
	(58)	Soft version of the optional paper feeder	-																				
	(59)	Version of the optional message	-																				
	(60)	Maintenance information	-																				
	(61)	Drum ID	-																				
	(62)	Drum serial number	-																				
		Code conversion <table border="1" data-bbox="687 1742 1374 1839"> <tr> <td>A</td><td>B</td><td>C</td><td>D</td><td>E</td><td>F</td><td>G</td><td>H</td><td>I</td><td>J</td> </tr> <tr> <td>0</td><td>1</td><td>2</td><td>3</td><td>4</td><td>5</td><td>6</td><td>7</td><td>8</td><td>9</td> </tr> </table>		A	B	C	D	E	F	G	H	I	J	0	1	2	3	4	5	6	7	8	9
A	B	C	D	E	F	G	H	I	J														
0	1	2	3	4	5	6	7	8	9														

Service items	Description
Network Status	<p>Printing a status page for network</p> <p>Description Prints a status page for network.</p> <p>Purpose To acquire the detailed network setting information.</p> <p>Method</p> <ol style="list-style-type: none"> 1. Enter the Service Setting menu. 2. Select [Network Status] using the cursor up/down keys. 3. Press the start key. 4. Press [Yes] (the Left Select key). Network status page will be printed. <p>Completion Press the stop key.</p>
New Developer	<p>Performing toner install</p> <p>Description Replenishes toner rapidly from the toner container into the developing unit.</p> <p>Purpose Perform the developer refreshing when the destiny is light or the faint of dark part occurs.</p> <p>Method</p> <ol style="list-style-type: none"> 1. Enter the Service Setting menu. 2. Select [New Developer] using the cursor up/down keys. 3. Press the start key. 4. Press [Yes] (the Left Select key). Toner install mode is performed. <p>Completion Press the stop key.</p>

Service items	Description								
Auto DrumRefresh	<p>Automatic drum refreshing</p> <p>Description Sets the specify the duration of automatic drum refreshing.</p> <p>Purpose To prevent bleeding of the output image when operating environment is one of high humidity.</p> <p>Method</p> <ol style="list-style-type: none"> 1. Enter the Service Setting menu. 2. Select [Auto DrumRefresh] using the cursor up/down keys. 3. Press the start key. 4. Select the setting using the cursor up/down keys. <table border="1" data-bbox="437 701 1385 960"> <thead> <tr> <th>Display</th> <th>Description</th> </tr> </thead> <tbody> <tr> <td>OFF</td> <td>Disables automatic drum refreshing</td> </tr> <tr> <td>Standard</td> <td>Sets the standard duration for automatic drum refreshing (maximum 140 s)</td> </tr> <tr> <td>Long</td> <td>Sets a longer time for automatic drum refreshing (maximum 180 s)</td> </tr> </tbody> </table> <ol style="list-style-type: none"> 5. Press the start key. The setting is set. <p>Completion Press the stop key.</p>	Display	Description	OFF	Disables automatic drum refreshing	Standard	Sets the standard duration for automatic drum refreshing (maximum 140 s)	Long	Sets a longer time for automatic drum refreshing (maximum 180 s)
Display	Description								
OFF	Disables automatic drum refreshing								
Standard	Sets the standard duration for automatic drum refreshing (maximum 140 s)								
Long	Sets a longer time for automatic drum refreshing (maximum 180 s)								
Drum Refresh	<p>Performing drum refreshing</p> <p>Description To perform drum refreshing.</p> <p>Purpose To clean the drum surface when image failure occurs due to the drum. This mode is effective when dew condensation on the drum occurs.</p> <p>Method</p> <ol style="list-style-type: none"> 1. Enter the Service Setting menu. 2. Select [Drum Refresh] using the cursor up/down keys. 3. Press the start key. 4. Press [Yes] (the Left Select key). Drum refresh is performed. <p>Completion Press the stop key.</p>								

1-4-1 Paper misfeed detection

(1) Paper misfeed indication

When a paper misfeed occurs, the machine immediately stops printing and displays the paper misfeed message on the operation panel. To remove paper misfeed in the machine, pull out the paper cassette, pull out the rear unit, remove the developing unit or open the duplex cover.



Figure 1-4-1 Paper misfeed indication

(2) Paper misfeed detection condition

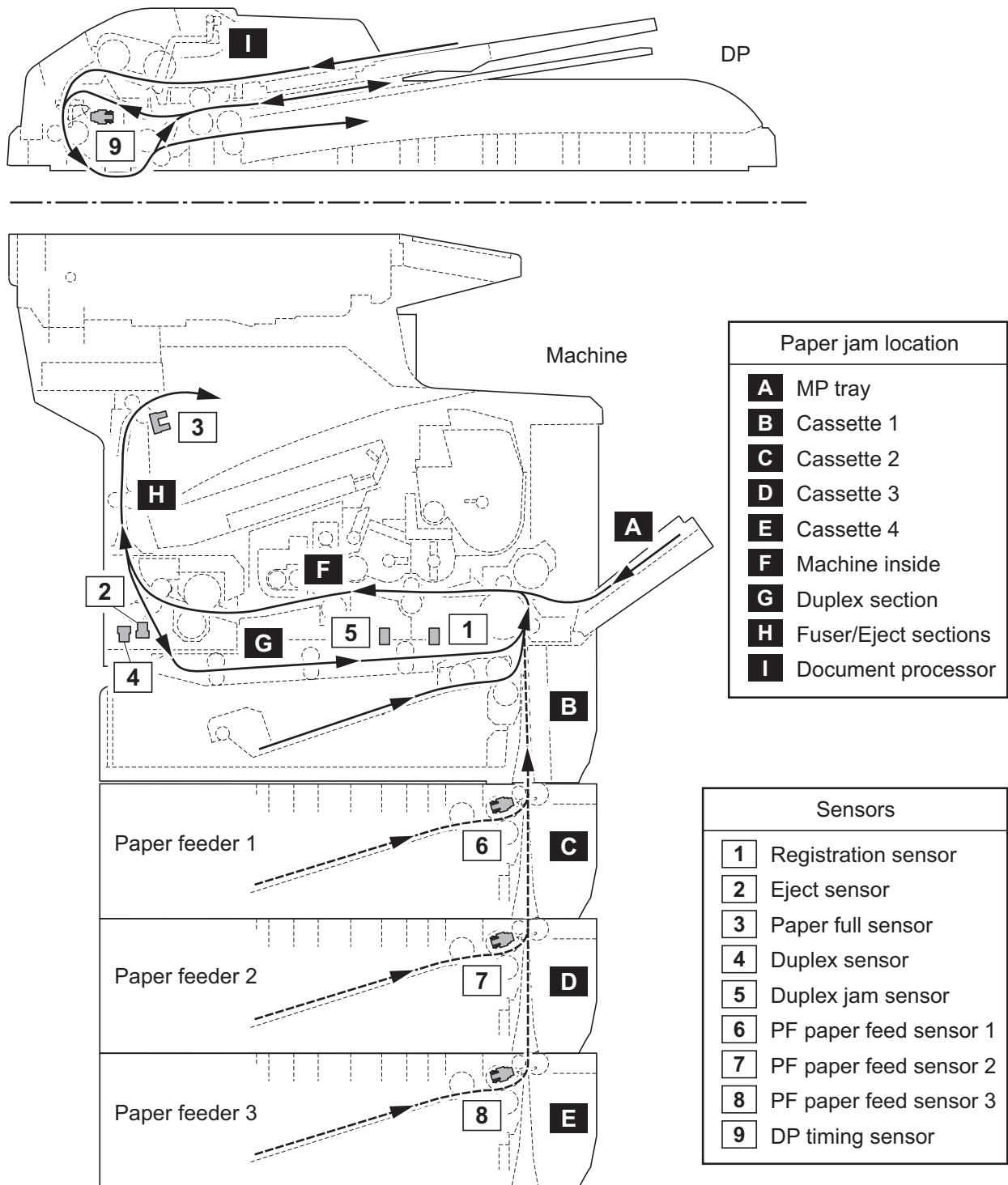


Figure 1-4-2

Section	Code	Conditions	Jam location
Machine	0010	Paper does not arrive at the registration sensor (RS) within specified time from start of paper feed (paper feed from MP tray).	A
		Paper does not arrive at the registration sensor (RS) within specified time from start of paper feed (paper feed from cassette).	B
		Paper does not arrive at the registration sensor (RS) within specified time of PF paper feed sensor turning on (paper feed from paper feeder).	B
		Paper does not arrive at the registration sensor (RS) within specified time from start of paper switchback (duplex refeeding).	G
	0011	Paper does not pass the registration sensor (RS) within specified time from start of secondary paper feed.	F
	0012	Paper remains at the registration sensor (RS) when power is turned on.	F
	0020	Paper does not arrive at the eject sensor (ES) within specified time from start of secondary paper feed.	F
	0021	Paper does not pass the eject sensor (ES) within specified time of the registration sensor (RS) turning off.	H
	0022	Paper remains at the eject sensor (ES) when power is turned on.	H
	00A1	Paper does not arrive at the duplex sensor (DUS) within specified time from start of paper switchback.	H
	00A2	Paper does not pass the duplex sensor (DUS) within specified time of the duplex sensor (DUS) turning on.	H
	00A3	Paper does not arrive at the duplex jam sensor (DUJS) within specified time of the duplex sensor (DUS) turning on.	G
	00A4	Paper does not pass the duplex jam sensor (DUJS) within specified time from start of secondary paper feed (duplex refeeding).	G
	00A5	Paper remains at the duplex sensor (DUS) or the duplex jam sensor (DUJS) when power is turned on.	G
	00E0	Paper misfeed occurs due to forced stop when an error occurs during printing.	-
	00F0	Paper does not arrive at the paper full sensor (PFS) within specified time of the eject sensor (ES) turning on.	H
	00F1	Paper misfeed by system error.	-
	00F2	Paper misfeed by system error.	-

*: Refer to figure 1-4-2 for paper jam location (see page 1-4-2)

Section	Code	Conditions	Jam location
Paper feeder	0030	Paper does not arrive at the PF paper feed sensor 1 within specified time from start of paper feed (paper feed from paper feeder 1).	C
		Paper does not arrive at the PF paper feed sensor 1 within specified time of the PF paper feed sensor 2 turning on (paper feed from paper feeder 2).	C
		Paper does not arrive at the PF paper feed sensor 1 within specified time of the PF paper feed sensor 3 turning on (paper feed from paper feeder 3).	C
	0031	Paper does not pass the PF paper feed sensor 1 within specified time of the PF paper feed sensor 1 turning on.	C
	0032	Paper remains at the PF paper feed sensor 1 when power is turned on.	C
	0040	Paper does not arrive at the PF paper feed sensor 2 within specified time from start of paper feed (paper feed from paper feeder 2).	D
		Paper does not arrive at the PF paper feed sensor 2 within specified time of the PF paper feed sensor 3 turning on (paper feed from paper feeder 3).	D
	0041	Paper does not pass the PF paper feed sensor 2 within specified time of the PF paper feed sensor 2 turning on.	D
	0042	Paper remains at the PF paper feed sensor 2 when power is turned on.	D
	0050	Paper does not arrive at the PF paper feed sensor 3 within specified time from start of paper feed (paper feed from paper feeder 3).	E
0051	Paper does not pass the PF paper feed sensor 3 within specified time of the PF paper feed sensor 3 turning on.	E	
0052	Paper remains at the PF paper feed sensor 3 when power is turned on.	E	
Document processor	9000	The DP timing sensor (DPTS) does not turn on within specified time during the first sheet feeding (Retry 5 times).	I
	9001	DP timing sensor (DPTS) turns off within the specified time since the sensor turns on.	I
	9003	During duplex switchback scanning, the DP timing sensor (DPTS) does not turn off within specified time.	I
	9004	During duplex switchback scanning, the DP timing sensor (DPTS) does not turn on within specified time since original switchback operation starts.	I
	9011	The DP or DP top cover is opened during original feeding.	I
	9401	The DP timing sensor (DPTS) does not turn off within specified time of the DP timing sensor (DPTS) turning on.	I

*: Refer to figure 1-4-2 for paper jam location (see page 1-4-2)

1-4-2 Self-diagnostic function

(1) Self-diagnostic function

This machine is equipped with self-diagnostic function. When a problem is detected, the machine stops printing and display an error message on the operation panel. An error message consists of a message prompting a contact to service personnel, total print count, and a four-digit error code indicating the type of the error. (The display varies depending on the type of the error.)



Figure 1-4-3

(2) Self diagnostic codes

Code	Contents	Causes	Check procedures/ corrective measures
0030	FAX control PWB system error Processing with the fax software was disabled due to a hardware problem.	Defective FAX control PWB.	Replace the fax control PWB and check for correct operation. (see page 1-5-42).
0070	FAX control PWB incompatible detection error Abnormal detection of FAX control PWB incompatibility In the initial communication with the FAX control PWB, any normal communication command is not transmitted.	Defective FAX software.	Install the fax software.
		Defective FAX control PWB.	Replace the fax control PWB and check for correct operation. (see page 1-5-42).
0100	Backup memory device error	Defective flash memory.	Replace the main PWB and check for correct operation (see page 1-5-34).
		Defective main PWB.	Replace the main PWB and check for correct operation (see page 1-5-34).
0120	MAC address data error For data in which the MAC address is invalid.	Defective flash memory.	Replace the main PWB and check for correct operation (see page 1-5-34).
		Defective engine PWB.	Replace the engine PWB and check for correct operation (see page 1-5-30).
0130	Backup memory read/write error (main PWB)	Defective flash memory.	Replace the main PWB and check for correct operation (see page 1-5-34).
		Defective main PWB.	Replace the main PWB and check for correct operation (see page 1-5-34).
0140	Backup memory data error (main PWB)	Defective flash memory.	Replace the main PWB and check for correct operation (see page 1-5-34).
		Defective main PWB.	Replace the main PWB and check for correct operation (see page 1-5-34).
0150	Engine PWB EEPROM error Detecting engine PWB EEPROM communication error.	Improper installation engine PWB EEPROM.	Check the installation of the EEPROM and remedy if necessary.
		Defective engine PWB.	Replace the engine PWB and check for correct operation (see page 1-5-30).
		Device damage of EEPROM.	Contact the Service Administrative Division.
0170	Billing counting error A checksum error is detected in the main and engine backup memories for the billing counters.	Data damage of EEPROM.	Contact the Service Administrative Division.
		Defective PWB.	Replace the main PWB or the engine PWB and check for correct operation (see page 1-5-34).

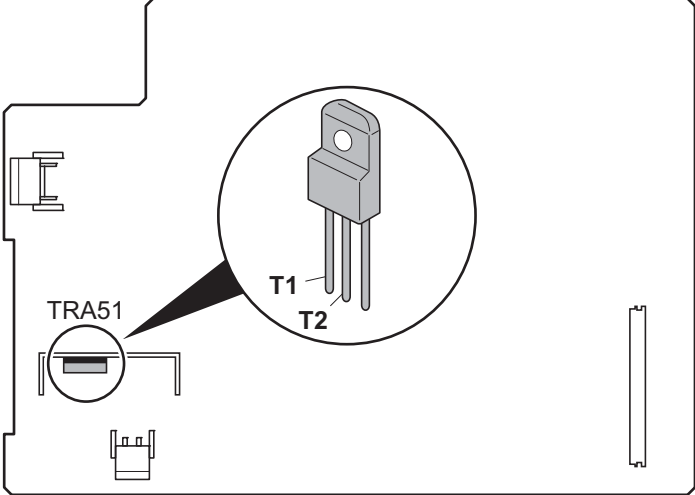
Code	Contents	Causes	Check procedures/ corrective measures
0180	Machine number mismatch Machine number of main and engine does not match.	Data damage of EEPROM.	Contact the Service Administrative Division.
0420	Paper feeder communication error Communication error between engine PWB and optional paper feeder.	Improper installation paper feeder.	Follow installation instruction carefully again.
		Defective connector cable or poor contact in the connector.	Reinsert the connector. Also check for continuity within the connector cable. If none, remedy or replace the cable. Paper feeder interface and connect-L PWB (YC2) Connect-L PWB (YC6) and engine PWB (YC504)
		Defective engine PWB.	Replace the engine PWB and check for correct operation (see page 1-5-30).
		Defective PF main PWB.	Replace the PF main PWB (Refer to the service manual for the paper feeder).
0830	FAX control PWB flash program area checksum error A checksum error occurred with the program of the FAX control PWB.	Defective FAX software.	Install the fax software.
		Defective FAX control PWB.	Replace the FAX control PWB (see page 1-5-42).
0840	Faults of RTC The time is judged to go back based on the comparison of the RTC time and the current time or five years or more have passed.	The battery is disconnected from the main PWB.	Check visually and remedy if necessary
		Defective main PWB.	Replace the main PWB and check for correct operation (see page 1-5-34).
0870	FAX control PWB to main PWB high capacity data transfer error High-capacity data transfer between the FAX control PWB and the main PWB of the machine was not normally performed even if the data transfer was retried the specified times.	Improper installation FAX control PWB.	Reinstall the FAX control PWB (see page 1-5-42).
		Defective FAX control PWB or main PWB.	Replace the FAX control PWB or main PWB and check for correct operation (see page 1-5-42 or 1-5-34).
0920	Fax file system error The backup data is not retained for file system abnormality of flash memory of the FAX control PWB.	Defective FAX control PWB.	Replace the FAX control PWB and check for correct operation (see page 1-5-42).

Code	Contents	Causes	Check procedures/ corrective measures
1010	Lift motor error During driving the lift motor, a motor overcurrent signal is detected for 5 s. This error is detected five times successively.	Defective bottom plate elevation mechanism in the cassette.	Check to see if the bottom plate can move smoothly and repair it if any problem is found.
		Defective connector cable or poor contact in the connector.	Reinsert the connector. Also check for continuity within the connector cable. If none, remedy or replace the cable. Lift motor and connect-R PWB (YC8) Connect-R PWB (YC2) and engine PWB (YC502)
		Defective drive transmission system of the lift motor.	Check if the gears rotate smoothly. If not, grease the bushes and gears. Check for broken gears and replace if any.
		Defective lift motor.	Replace the lift motor
		Defective engine PWB or connect-R PWB.	Replace the engine PWB or connect-R PWB and check for correct operation (see page 1-5-30).
2000	Main motor steady-state error The main motor ready input is not given for 2 s during the main motor is ON.	Defective connector cable or poor contact in the connector.	Reinsert the connector. Also check for continuity within the connector cable. If none, remedy or replace the cable. Main motor and engine PWB (YC501)
		Defective drive transmission system of the main motor.	Check if the rollers and gears rotate smoothly. If not, grease the bushes and gears. Check for broken gears and replace if any.
		Defective main motor.	Replace the main motor.
		Defective engine PWB.	Replace the engine PWB and check for correct operation (see page 1-5-30).
2200	Drum motor steady-state error The drum motor ready input is not given for 2 s during the drum motor is ON.	Defective connector cable or poor contact in the connector.	Reinsert the connector. Also check for continuity within the connector cable. If none, remedy or replace the cable. Drum motor and engine PWB (YC11)
		Defective drive transmission system of the drum motor.	Check if the rollers and gears rotate smoothly. If not, grease the bushes and gears. Check for broken gears and replace if any.
		Defective drum motor.	Replace the drum motor.
		Defective engine PWB.	Replace the engine PWB and check for correct operation (see page 1-5-30).

Code	Contents	Causes	Check procedures/ corrective measures
3100	ISU home position error The home position is not correct when the power is turned on or at the start of copying using the table.	Defective connector cable or poor contact in the connector.	Reinsert the connector. Also check for continuity within the connector cable. If none, remedy or replace the cable. Home position sensor and CCD PWB (YC3) CCD PWB (YC2) and main PWB (YC8) ISU motor and main PWB (YC1004)
		Defective home position sensor.	Replace the home position sensor.
		Defective ISU motor.	Replace the ISU motor.
		Defective CCD PWB.	Replace the scanner unit (see page 1-5-19).
		Defective main PWB.	Replace the main PWB and check for correct operation (see page 1-5-34).
3200	Exposure lamp error When input value at the time of exposure lamp illumination does not exceed the threshold value between 5 s.	Defective connector cable or poor contact in the connector.	Reinsert the connector. Also check for continuity within the connector cable. If none, remedy or replace the cable. LED PWB (YC1) and LED drive PWB (YC2) LED drive PWB (YC1) and CCD PWB (YC3) CCD PWB (YC2) and main PWB (YC8)
		Defective exposure lamp or LED drive PWB.	Replace the scanner unit (see page 1-5-19).
		Defective CCD PWB.	Replace the scanner unit (see page 1-5-19).
		Defective main PWB.	Replace the main PWB and check for correct operation (see page 1-5-34).
3300	AGC error After AGC, correct input is not obtained at CCD.	Defective connector cable or poor contact in the connector.	Reinsert the connector. Also check for continuity within the connector cable. If none, remedy or replace the cable. Inverter PWB (YC101) and CCD PWB (YC3) CCD PWB (YC2) and main PWB (YC8)
		Defective exposure lamp or inverter PWB.	Replace the scanner unit (see page 1-5-19).
		Defective CCD PWB.	Replace the scanner unit (see page 1-5-19).
		Defective main PWB.	Replace the main PWB and check for correct operation (see page 1-5-34).

Code	Contents	Causes	Check procedures/ corrective measures
3500	Communication error between scanner and ASIC An error code is detected.	Defective connector cable or poor contact in the connector.	Reinsert the connector. Also check for continuity within the connector cable. If none, remedy or replace the cable. CCD PWB (YC2) and main PWB (YC8)
		Defective CCD PWB.	Replace the scanner unit (see page 1-5-19).
		Defective main PWB.	Replace the main PWB and check for correct operation (see page 1-5-34).
4000	Polygon motor synchronization error The polygon motor ready input is not given for 10 s during the polygon motor is ON.	Defective connector cable or poor contact in the connector.	Reinsert the connector. Also check for continuity within the connector cable. If none, remedy or replace the cable. Laser scanner unit and main PWB (YC14)
		Defective polygon motor.	Replace the laser scanner unit (see page 1-5-16).
		Defective main PWB.	Replace the main PWB and check for correct operation (see page 1-5-34).
4200	BD steady-state error	Defective connector cable or poor contact in the connector.	Reinsert the connector. Also check for continuity within the connector cable. If none, remedy or replace the cable. Laser scanner unit and main PWB (YC16)
		Defective laser scanner unit.	Replace the laser scanner unit (see page 1-5-16).
		Defective main PWB.	Replace the main PWB and check for correct operation (see page 1-5-34).
4700	VIDEO ASIC device error Mismatch of reading data from two locations occurs eight times successively. Mismatch between writing data and reading data occurs eight times successively.	Defective connector cable or poor contact in the connector.	Reinsert the connector. Also check for continuity within the connector cable. If none, replace the cable. Main PWB (YC13) and engine PWB (YC12)
		Defective main PWB or engine PWB.	Replace the main PWB or the engine PWB and check for correct operation (see page 1-5-34, 1-5-30).
5100	Main charger high-voltage error Five pages have been printed with the main charger output short-circuited.	Drum unit installed incorrectly.	Verify harness is not pinched.
		Engine PWB installed incorrectly.	Verify harness is not pinched.
		Defective engine PWB.	Replace the engine PWB and check for correct operation (see page 1-5-30).

Code	Contents	Causes	Check procedures/ corrective measures
6000	Broken fuser heater wire The temperature does not reach 100°C/212°F after the fuser heater has been turned on continuously for 30 s. The temperature does not rise by 1°C/1.8°F after the fuser heater lamp has been turned on continuously for 15 s during warm-up or at standby. (Only when the detection temperature is less than 200°C.)	Defective connector cable or poor contact in the connector.	Reinsert the connector. Also check for continuity within the connector cable. If none, remedy or replace the cable. Fuser heater and power source PWB (YC102) Fuser unit and engine PWB (YC506)
		Deformed connector pin.	See page 1-4-12.
		Defective triac.	See page 1-4-12.
		Fuser thermostat triggered.	Reinsert the fuser unit (see page 1-5-29).
		Broken fuser heater wire.	Replace the fuser unit (see page 1-5-29).
6020	Abnormally high fuser thermistor 2 temperature The temperature of the fuser thermistor 2 detects 250°C/482°F or more continuously for 3 s.	Shorted fuser thermistor 2.	Replace the fuser unit (see page 1-5-29).
		Deformed connector pin.	See page 1-4-12.
		Defective triac.	See page 1-4-12.
		Defective engine PWB.	Replace the engine PWB and check for correct operation (see page 1-5-30).
6030	Broken fuser thermistor 2 wire average AD value input from fuser thermistor 2 for 1.8 seconds is less than one. (Only when the detection temperature is 50°C or more.)	Defective connector cable or poor contact in the connector.	Reinsert the connector. Also check for continuity within the connector cable. If none, remedy or replace the cable. Fuser unit and engine PWB (YC506)
		Deformed connector pin.	See page 1-4-12.
		Defective triac.	See page 1-4-12.
		Broken fuser thermistor 2 wire.	Replace the fuser unit (see page 1-5-29).
		Fuser thermostat triggered.	Reinsert the fuser unit (see page 1-5-29).
		Broken fuser heater wire.	Replace the fuser unit (see page 1-5-29).

Code	Contents	Causes	Check procedures/ corrective measures
6000/ 6020/ 6030 Com- bined	Broken fuser heater wire Abnormally high fuser thermistor temperature Broken fuser thermistor wire	Deformed connec- tor pin.	If the I/F connector pins of the fuser unit and the main unit are deformed owing to foreign matters, such as paper dusts, replace the connectors or the units including the connectors.
		Defective triac.	Remove the power cord and check that the resistance between terminals T1 and T2 of the triac TRA51 is of several Mega-Ohms and not shorted (see figure 1-4-4). If failed, replace the power source PWB (see page 1-5-37).
 <p>Figure 1-4-4</p>			
6220	Abnormally high fuser thermistor 1 temperature The temperature of the fuser thermistor 1 detects 255°C/491°F or more continuously for 3 s.	Shorted fuser thermistor 1.	Replace the fuser unit (see page 1-5-29).
		Defective engine PWB.	Replace the engine PWB and check for correct operation (see page 1-5-30).
6230	Broken fuser thermistor 1 wire average AD value input from fuser thermistor 1 for 1.8 seconds is less than one.	Defective connector cable or poor contact in the connector.	Reinsert the connector. Also check for continuity within the connector cable. If none, remedy or replace the cable. Fuser unit and engine PWB (YC506)
		Broken fuser thermistor 1 wire.	Replace the fuser unit (see page 1-5-29).
		Fuser thermostat triggered.	Reinsert the fuser unit (see page 1-5-29).
		Broken fuser heater wire.	Replace the fuser unit (see page 1-5-29).

Code	Contents	Causes	Check procedures/ corrective measures
6400	Zero-cross signal error The zero-cross signal does not reach the engine PWB for more than 2 s.	Defective connector cable or poor contact in the connector.	Reinsert the connector. Also check for continuity within the connector cable. If none, remedy or replace the cable. Power source PWB (YC103) and connect-L PWB (YC1) Connect-L PWB (YC8) and engine PWB (YC503)
		Defective power source PWB.	Replace the power source PWB and check for correct operation (see page 1-5-37).
		Defective engine PWB.	Replace the engine PWB and check for correct operation (see page 1-5-30).
7000	Toner motor lock error During driving the toner motor, a motor overcurrent signal is detected for 5 s.	Lump of toner inside toner container.	Replace the toner container.
		Defective drive transmission system of the toner motor.	Replace the developing unit (see page 1-5-25).
		Defective toner motor.	Replace the developing unit (see page 1-5-25).
		Defective engine PWB.	Replace the engine PWB and check for correct operation (see page 1-5-30).
7410	Drum unit non- installing error The drum unit is not installed or not installed properly. The drum PWB EEPROM does not communicate normally.	The drum unit is not installed.	Install the drum unit (see page 1-5-26).
		Defective connector cable or poor contact in the connector.	Reinsert the connector. Also check for continuity within the connector cable. If none, remedy or replace the cable. Drum PWB (YC1) and connect-L PWB (YC3)
		Defective drum PWB EEPROM.	Replace the drum unit (see page 1-5-26).
		Defective engine PWB.	Replace the engine PWB and check for correct operation (see page 1-5-30).
9500	BRU communication error	IPU PWB error	Contact the Service Administrative Division.
9510	BRU PWB error		
9520	BRU PWB data error		
F000	Main PWB - operation panel PWB communication error	Defective main PWB.	Turn the main power switch off/on to restart the machine. If the error is not resolved, replace main PWB.
		Defective operation panel PWB.	Replace the operation panel PWB.

Code	Contents	Causes	Check procedures/ corrective measures
F020	Main PWB RAM check-sum error	Defective main memory (RAM) on the main PWB.	Turn the main power switch off/on to restart the machine. If the error is not resolved, replace main PWB.
		Defective expanded memory (DIMM).	Replace the expanded memory (DIMM).
F040	Main PWB - engine PWB communication error	Defective main PWB.	Turn the main power switch off/on to restart the machine. If the error is not resolved, replace main PWB.
		Defective engine PWB.	Replace the engine PWB.
F041	Main PWB - scanner communication error	Defective main PWB.	Turn the main power switch off/on to restart the machine. If the error is not resolved, replace main PWB.
F050	Engine ROM checksum error	Defective engine PWB.	Replace the engine PWB and check for correct operation (see page 1-5-30).
F051	Scan engine ROM check-sum error	Defective engine PWB.	Replace the engine PWB and check for correct operation (see page 1-5-30).

1-4-3 Image formation problems

(1) Completely blank printout.



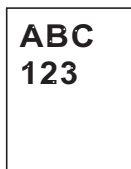
see page 1-4-16

(2) All-black print-out.



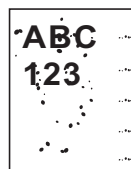
see page 1-4-17

(3) Dropouts.



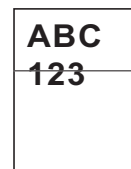
see page 1-4-18

(4) Black dots.



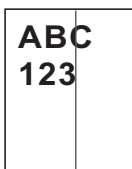
see page 1-4-18

(5) Black horizontal streaks.



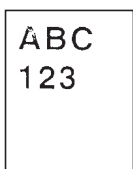
see page 1-4-18

(6) Black vertical streaks.



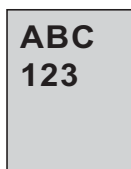
see page 1-4-19

(7) Unsharpness.



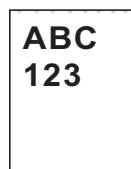
see page 1-4-19

(8) Gray background.



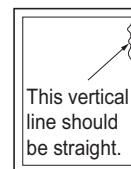
see page 1-4-19

(9) Dirt on the top edge or back of the paper.




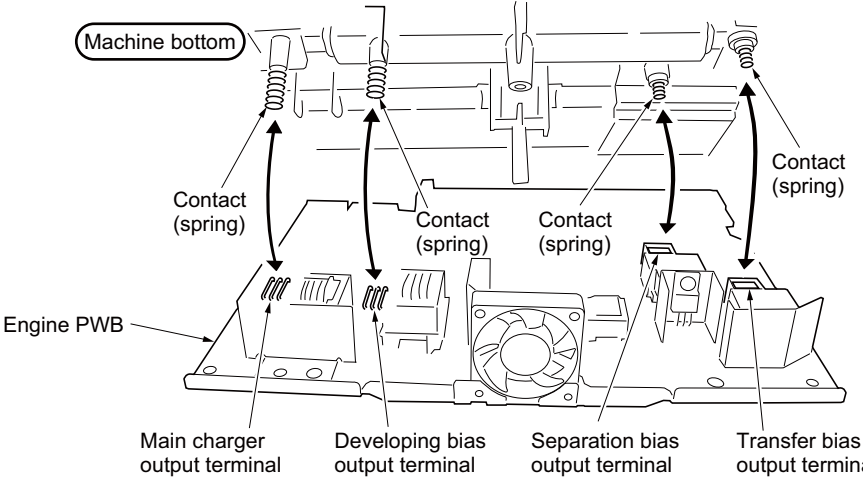
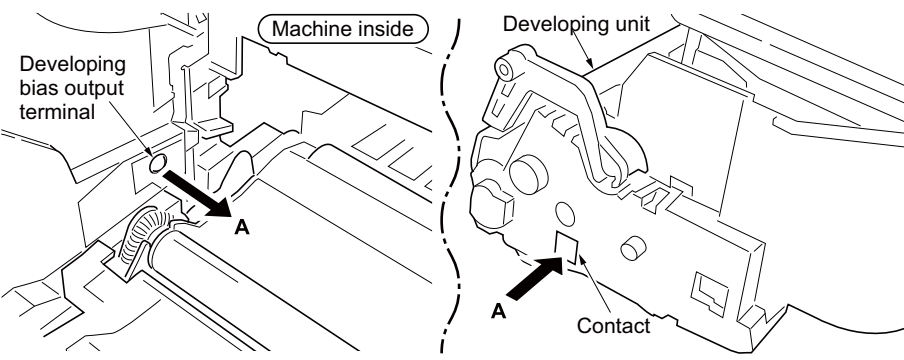
see page 1-4-20

(10) Undulated printing at the right edge (scanning start position).


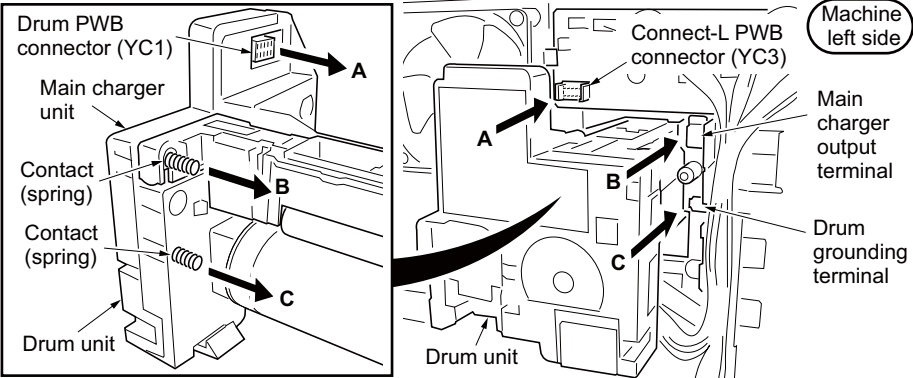


see page 1-4-20

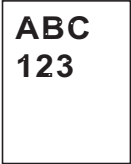
(1) Completely blank printout.

Print example	Causes	Check procedures/corrective measures
	<p>Defective transfer bias output.</p> <p>Poor contact of engine PWB's transfer bias output terminal and machine's contact (spring).</p>	<p>Check the installation position of the engine PWB. Refer to figure 1-4-5 below.</p>
	 <p style="text-align: center;">Figure 1-4-5</p>	
	<p>Defective engine PWB.</p>	<p>Replace the engine PWB (See page 1-5-30).</p>
	<p>Defective developing bias output.</p> <p>Poor contact of engine PWB's developing bias output terminal and machine's contact (spring).</p>	<p>Check the installation position of the engine PWB. Refer to figure 1-4-5 above.</p>
<p>Poor contact of machine's developing bias output terminal and developing unit's contact.</p>	<p>Check the installation of the developing unit. Refer to figure 1-4-6 below.</p>	
 <p style="text-align: center;">Figure 1-4-6</p>		
<p>Defective engine PWB.</p>	<p>Replace the engine PWB (See page 1-5-30).</p>	
<p>No LSU laser is output.</p>	<p>Defective laser scanner unit.</p>	<p>Replace the laser scanner unit (See page 1-5-16).</p>
	<p>Defective main PWB.</p>	<p>Replace the main PWB (See page 1-5-34).</p>

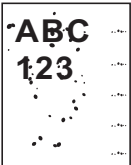
(2) All-black printout.

Print example	Causes		Check procedures/corrective measures
	No main charging.	Defective main charger unit.	Replace the main charger unit (See page 1-5-26).
		Poor contact of engine PWB's main charger output terminal and machine's contact (spring).	Check the installation position of the engine PWB. See page 1-4-16, refer to figure 1-4-5.
		Poor contact of machine's main charger output terminal and main charger unit's contact (spring).	Check the installation of the drum (main charger) unit. Refer to figure 1-4-7 below.
		 <p style="text-align: center;">Figure 1-4-7</p>	
		Defective engine PWB.	Replace the engine PWB (See page 1-5-30).

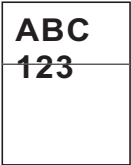
(3) Dropouts.

Print example	Causes	Check procedures/corrective measures
	Defective developing roller (developing unit).	If the defects occur at regular intervals of 39 mm/1 9/16" (see page 2-4-3), the problem may be the damaged developing roller (in the developing unit). Replace the developing unit (see page 1-5-25).
	Defective drum unit.	If the defects occur at regular intervals of 94 mm/3 11/16" (see page 2-4-3), the problem may be the damaged drum (in the drum unit). Replace the drum unit (see page 1-5-26).
	Defective fuser unit (heat roller or press roller).	If the defects occur at regular intervals of 82 mm/3 1/4", or 93 mm/3 11/16" (see page 2-4-3), the problem may be the damaged heat roller or press roller (in the fuser unit). Replace fuser unit (see page 1-5-29).
	Defective paper specifications.	Paper with rugged surface or dump tends to cause dropouts. Replace paper with the one that satisfies the paper specifications.
	Defective transfer roller installation.	The transfer roller must be supported by the bushes at the both ends. Clean the bush to remove oil and debris. Replace the transfer roller if necessary (see page 1-5-27).
	Defective transfer bias output.	Replace the engine PWB (see page 1-5-30).

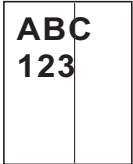
(4) Black dots.

Print example	Causes	Check procedures/corrective measures
	Defective drum unit or developing unit.	If the defects occur at regular intervals of 94 mm/3 11/16" (see page 2-4-3), the problem may be the damaged drum (in the drum unit). Replace drum unit (see page 1-5-25). If the defects occur at random intervals, the toner may be leaking from the developing unit or drum unit. Replace the developing unit or drum unit (see page 1-5-25 or 1-5-26).

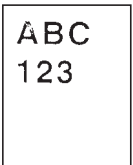
(5) Black horizontal streaks.

Print example	Causes	Check procedures/corrective measures
	Defective drum unit's ground.	Defective drum unit's ground. The contact (spring) in the drum unit and its counter part, the drum grounding terminal in the printer, must be in a good contact. See page 1-4-16, refer to figure 1-4-5
	Defective drum unit.	Replace the drum unit (see page 1-5-26).

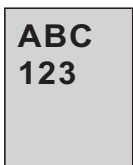
(6) Black vertical streaks.

Print example	Causes	Check procedures/corrective measures
	Flawed main charger roller	Replace the main charger unit (see page 1-5-26).
	Defective drum unit.	A streak of toner remaining on drum after printing means that the cleaning blade (in the drum unit) is not working properly. Replace the drum unit (see page 1-5-26).
	Defective developing roller (developing unit).	Replace the developing unit (see page 1-5-25).

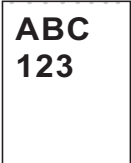
(7) Unsharpness.

Print example	Causes	Check procedures/corrective measures
	Defective paper specifications.	Replace paper with the one that satisfies the paper specification.
	Defective transfer roller installation.	The transfer roller must be supported by the bushes at the both ends. Clean the bush to remove oil and debris. Replace the transfer roller if necessary (see page 1-5-27).
	Poor contact of engine PWB's transfer bias output terminal and machine's contact (spring).	Check the installation position of the engine PWB. See page 1-4-16, refer to figure 1-4-5.
	EcoPrint mode setting.	The EcoPrint mode can provides faint, unsharp printing because it acts to conserve toner for draft printing purpose. For normal printing, turn the EcoPrint mode off by using the operator panel. For details, refer to the operation guide.

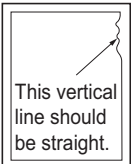
(8) Gray background.

Print example	Causes	Check procedures/corrective measures
	Print density setting.	The print density may be set too high. Try adjusting the print density. For details, refer to the operation guide.
	Defective potential on the drum surface.	Replace the drum unit (see page 1-5-26).
	Defective main charger unit.	Replace the main charger unit (see page 1-5-26).
	Defective developing roller (developing unit).	Replace the developing unit (see page 1-5-25).

(9) Dirt on the top edge or back of the paper.

Print example	Causes	Check procedures/corrective measures
	Toner contamination in various parts.	Dirty edges and back of the paper can be caused by toner accumulated on such parts as the paper chute guide, paper conveying paths, the bottom of the drum and developing unit, and the fuser unit inlet. Clean these areas and parts to remove toner.
	Defective transfer roller.	If the transfer roller is contaminated with toner, clean the transfer roller using a vacuum cleaner or by continuously printing a low density page until the symptom has faded away.

(10) Undulated printing at the right edge (scanning start position).

Print example	Causes	Check procedures/corrective measures
	Defective polygon motor (laser scanner unit).	Replace the laser scanner unit (see page 1-5-16).
	Defective main PWB.	Replace the main PWB (see page 1-5-34).

1-4-4 Electric problems

Troubleshooting to each failure must be in the order of the numbered symptoms.

Problem	Causes	Check procedures/corrective measures
(1) The machine does not operate when the main power switch is turned on.	1. No electricity at the power outlet.	Measure the input voltage.
	2. The power cord is not plugged in properly.	Check the contact between the power plug and the outlet.
	3. The top cover is not closed completely.	Check the top cover.
	4. Broken power cord.	Check for continuity. If none, replace the cord.
	5. Defective main power switch.	Check for continuity across the contacts. If none, replace the power source PWB (see page 1-5-37).
	6. Defective interlock switch.	Check for continuity across the contacts of interlock switch. If none, replace the power source PWB (see page 1-5-37).
	7. Defective power source PWB.	Replace the power source PWB (see page 1-5-37).
(2) Switchback motor does not operate.	1. Defective connector cable or poor contact in the connector.	Reinsert the connector. Also check for continuity within the connector cable. If none, remedy or replace the cable. Switchback motor and connect-R PWB (YC3) Connect-R PWB (YC1) and engine PWB (YC9)
	2. Defective drive transmission system.	Check if the rollers and gears rotate smoothly. If not, grease the bushes and gears. Check for broken gears and replace if any.
	3. Defective motor.	Replace the switchback motor.
	4. Defective PWB.	Replace the engine PWB or connect-R PWB and check for correct operation (see page 1-5-30).
(3) Toner motor does not operate.	1. Defective connector cable or poor contact in the connector.	Reinsert the connector. Also check for continuity within the connector cable. If none, remedy or replace the cable. Toner motor and developing PWB (YC2) Developing PWB (YC1) and connect-L PWB (YC9) Connect-L PWB (YC8) and engine PWB (YC503)
	2. Defective motor.	Replace the toner motor.
	3. Defective PWB.	Replace the engine PWB or connect-L PWB and check for correct operation (see page 1-5-30).

Problem	Causes	Check procedures/corrective measures
(4) Right fan motor does not operate.	1. Defective connector cable or poor contact in the connector.	Reinsert the connector. Also check for continuity within the connector cable. If none, remedy or replace the cable. Right fan motor and connect-R PWB (YC11) Connect-R PWB (YC1) and engine PWB (YC9)
	2. Defective motor.	Replace the right fan motor.
	3. Defective PWB.	Replace the engine PWB or connect-R PWB and check for correct operation (see page 1-5-30).
(5) Left fan motor does not operate.	1. Defective connector cable or poor contact in the connector.	Reinsert the connector. Also check for continuity within the connector cable. If none, remedy or replace the cable. Left fan motor and connect-L PWB (YC4) Connect-L PWB (YC6) and engine PWB (YC504)
	2. Defective motor.	Replace the left fan motor.
	3. Defective PWB.	Replace the engine PWB or connect-L PWB and check for correct operation (see page 1-5-30).
(6) Power source fan motor does not operate.	1. Defective connector cable or poor contact in the connector.	Reinsert the connector. Also check for continuity within the connector cable. If none, remedy or replace the cable. Power source fan motor and connect-L PWB (YC11) Connect-L PWB (YC8) and engine PWB (YC503)
	2. Defective motor.	Replace the power source fan motor.
	3. Defective PWB.	Replace the engine PWB or connect-L PWB and check for correct operation (see page 1-5-30).
(7) Feed fan motor does not operate.	1. Defective connector cable or poor contact in the connector.	Reinsert the connector. Also check for continuity within the connector cable. If none, remedy or replace the cable. Feed fan motor and engine PWB (YC15)
	2. Defective motor.	Replace the feed fan motor.
	3. Defective PWB.	Replace the engine PWB and check for correct operation (see page 1-5-30).
(8) Eject fan motor does not operate.	1. Defective connector cable or poor contact in the connector.	Reinsert the connector. Also check for continuity within the connector cable. If none, remedy or replace the cable. Eject fan motor and connect-R PWB (YC13) Connect-R PWB (YC2) and engine PWB (YC502)
	2. Defective motor.	Replace the eject fan motor.
	3. Defective PWB.	Replace the engine PWB or connect-R PWB and check for correct operation (see page 1-5-30).
(9) ISU motor does not operate.	1. Defective connector cable or poor contact in the connector.	Reinsert the connector. Also check for continuity within the connector cable. If none, remedy or replace the cable. ISU motor and main PWB (YC1004)
	2. Defective drive transmission system.	Check if the gears rotate smoothly. If not, grease the gears. Check for broken gears and replace if any.
	3. Defective motor.	Replace the ISU motor.
	4. Defective PWB.	Replace the main PWB and check for correct operation (see page 1-5-34).

Problem	Causes	Check procedures/corrective measures
(10) Paper feed clutch does not operate.	1. Defective connector cable or poor contact in the connector.	Reinsert the connector. Also check for continuity within the connector cable. If none, remedy or replace the cable. Paper feed clutch and connect-R PWB (YC5) Connect-R PWB (YC2) and engine PWB (YC502)
	2. Defective clutch.	Replace the paper feed clutch.
	3. Defective PWB.	Replace the engine PWB or connect-R PWB and check for correct operation (see page 1-5-30).
(11) Registration clutch does not operate.	1. Defective connector cable or poor contact in the connector.	Reinsert the connector. Also check for continuity within the connector cable. If none, remedy or replace the cable. Registration clutch and connect-R PWB (YC6) Connect-R PWB (YC2) and engine PWB (YC502)
	2. Defective clutch.	Replace the registration clutch.
	3. Defective PWB.	Replace the engine PWB or connect-R PWB and check for correct operation (see page 1-5-30).
(12) Middle clutch does not operate.	1. Defective connector cable or poor contact in the connector.	Reinsert the connector. Also check for continuity within the connector cable. If none, remedy or replace the cable. Middle clutch and connect-R PWB (YC7) Connect-R PWB (YC2) and engine PWB (YC502)
	2. Defective clutch.	Replace the middle clutch.
	3. Defective PWB.	Replace the engine PWB or connect-R PWB and check for correct operation (see page 1-5-30).
(13) Duplex clutch does not operate.	1. Defective connector cable or poor contact in the connector.	Reinsert the connector. Also check for continuity within the connector cable. If none, remedy or replace the cable. Duplex clutch and connect-R PWB (YC9) Connect-R PWB (YC2) and engine PWB (YC502)
	2. Defective clutch.	Replace the duplex clutch.
	3. Defective PWB.	Replace the engine PWB or connect-R PWB and check for correct operation (see page 1-5-30).
(14) MP solenoid does not operate.	1. Defective connector cable or poor contact in the connector.	Reinsert the connector. Also check for continuity within the connector cable. If none, remedy or replace the cable. MP solenoid and connect-R PWB (YC10) Connect-R PWB (YC1) and engine PWB (YC9)
	2. Defective solenoid.	Replace the MP solenoid.
	3. Defective PWB.	Replace the engine PWB or connect-R PWB and check for correct operation (see page 1-5-30).
(15) Developing solenoid does not operate.	1. Defective connector cable or poor contact in the connector.	Reinsert the connector. Also check for continuity within the connector cable. If none, remedy or replace the cable. Developing solenoid and connect-R PWB (YC4) Connect-R PWB (YC2) and engine PWB (YC502)
	2. Defective solenoid.	Replace the developing solenoid.
	3. Defective PWB.	Replace the engine PWB or connect-R PWB and check for correct operation (see page 1-5-30).

Problem	Causes	Check procedures/corrective measures
(16) Feedshift solenoid does not operate.	1. Defective connector cable or poor contact in the connector.	Reinsert the connector. Also check for continuity within the connector cable. If none, remedy or replace the cable. Feedshift solenoid and engine PWB (YC506)
	2. Defective solenoid.	Replace the feedshift solenoid.
	3. Defective PWB.	Replace the engine PWB and check for correct operation (see page 1-5-30).
(17) Cleaning lamp does not turn on.	1. Defective connector cable or poor contact in the connector.	Reinsert the connector. Also check for continuity within the connector cable. If none, remedy or replace the cable. Cleaning lamp and drum PWB (YC2) Drum PWB (YC1) and connect-L PWB (YC3) Connect-L PWB (YC6) and engine PWB (YC504)
	2. Defective cleaning lamp.	Replace the cleaning lamp.
	3. Defective PWB.	Replace the engine PWB or connect-L PWB and check for correct operation (see page 1-5-30).
(18) The message requesting paper to be loaded is shown when paper is present on the cassette.	1. Deformed actuator of the paper sensor.	Check visually and remedy or replace if necessary.
	2. Defective paper sensor.	Replace the engine PWB and check for correct operation (see page 1-5-30).
	3. Defective PWB.	Replace the engine PWB and check for correct operation (see page 1-5-30).
(19) The message requesting paper to be loaded is shown when paper is present on the MP tray.	1. Deformed actuator of the MP paper sensor.	Check visually and remedy or replace if necessary.
	2. Defective MP paper sensor.	Replace the power source PWB and check for correct operation (see page 1-5-37).
	3. Defective PWB.	Replace the power source PWB and check for correct operation (see page 1-5-37).
(20) The size of paper on the cassette is not displayed correctly.	1. Defective connector cable or poor contact in the connector.	Reinsert the connector. Also check for continuity within the connector cable. If none, remedy or replace the cable. Cassette size switch and connect-L PWB (YC10) Connect-L PWB (YC8) and engine PWB (YC503)
	2. Defective cassette size switch.	Replace the cassette size switch.
	3. Defective PWB.	Replace the engine PWB or connect-L PWB and check for correct operation (see page 1-5-30).

Problem	Causes	Check procedures/corrective measures
(21) A paper jam in the paper feed, paper conveying, eject or duplex section is indicated when the main power switch is turned on.	1. A piece of paper torn from paper is caught around registration sensor, eject sensor, duplex sensor or duplex jam sensor.	Check visually and remove it, if any.
	2. Defective eject sensor.	Replace the eject sensor.
	3. Defective duplex sensor.	Replace the duplex sensor.
	4. Defective registration sensor or duplex jam sensor.	Replace the engine PWB and check for correct operation (see page 1-5-30).
(22) A message indicating cover open is displayed when the top cover is closed.	1. Deformed actuator of the interlock switch.	Check visually and remedy or replace if necessary.
	2. Defective interlock switch.	Replace the power source PWB and check for correct operation (see page 1-5-37).
(23) DP paper feed motor does not operate.	1. Defective connector cable or poor contact in the connector.	Reinsert the connector. Also check for continuity within the connector cable. If none, remedy or replace the cable. DP paper feed motor and DP drive PWB (YC3) DP drive PWB (YC1) and main PWB (YC1008)
	2. Defective drive transmission system.	Check if the rollers and gears rotate smoothly. If not, grease the bushes and gears. Check for broken gears and replace if any.
	3. Defective motor.	Replace the DP paper feed motor.
	4. Defective PWB.	Replace the DP drive PWB or main PWB and check for correct operation (see page 1-5-48).
(24) DP paper feed clutch does not operate.	1. Defective connector cable or poor contact in the connector.	Reinsert the connector. Also check for continuity within the connector cable. If none, remedy or replace the cable. DP paper feed clutch and DP drive PWB (YC6) DP drive PWB (YC8) and main PWB (YC1005)
	2. Defective clutch.	Replace the DP paper feed clutch.
	3. Defective PWB.	Replace the DP drive PWB or main PWB and check for correct operation (see page 1-5-48).
(25) DP pressure solenoid does not operate.	1. Defective connector cable or poor contact in the connector.	Reinsert the connector. Also check for continuity within the connector cable. If none, remedy or replace the cable. DP pressure solenoid and DP drive PWB (YC4) DP drive PWB (YC8) and main PWB (YC1005)
	2. Defective solenoid.	Replace the DP pressure solenoid.
	3. Defective PWB.	Replace the DP drive PWB or main PWB and check for correct operation (see page 1-5-48).

Problem	Causes	Check procedures/corrective measures
(26) DP switchback solenoid does not operate.	1. Defective connector cable or poor contact in the connector.	Reinsert the connector. Also check for continuity within the connector cable. If none, remedy or replace the cable. DP switchback solenoid and DP drive PWB (YC5) DP drive PWB (YC8) and main PWB (YC1005)
	2. Defective solenoid.	Replace the DP switchback solenoid.
	3. Defective PWB.	Replace the DP drive PWB or main PWB and check for correct operation (see page 1-5-48).
(27) An original jams when the main power switch is turned on.	1. A piece of paper torn from an original is caught around the DP timing sensor.	Check visually and remove it, if any.
	2. Defective DP timing sensor.	Replace the DP timing sensor.
(28) A message indicating cover open is displayed when the DP top cover is closed.	1. Defective connector cable or poor contact in the connector.	Reinsert the connector. Also check for continuity within the connector cable. If none, remedy or replace the cable. DP open/close sensor and DP drive PWB (YC2) DP drive PWB (YC8) and main PWB (YC1005)
	2. Defective DP open/close sensor.	Replace the DP open/close sensor.

1-4-5 Mechanical problems

Problem	Causes/check procedures	Corrective measures
(1) No primary paper feed.	Check if the surfaces of the following rollers are dirty with paper powder. Pickup roller Paper feed roller MP paper feed roller	Clean with isopropyl alcohol.
	Check if the following rollers is deformed. Pickup roller Paper feed roller MP paper feed roller	Check visually and replace any deformed (see page 1-5-6).
	Defective paper feed clutch installation.	Check visually and remedy if necessary.
(2) No secondary paper feed.	Check if the surfaces of the following rollers are dirty with paper powder. Upper registration roller Lower registration roller	Clean with isopropyl alcohol.
	Defective registration clutch installation.	Check visually and remedy if necessary.
(3) Skewed paper feed.	Paper width guide in a cassette installed incorrectly.	Check the paper width guide visually and remedy or replace if necessary.
(4) Multiple sheets of paper are fed.	Check if the paper is excessively curled.	Change the paper.
	Paper is loaded incorrectly.	Load the paper correctly.
	Check if the retard roller is worn.	Replace the retard roller if it is worn (see page 1-5-7).
(5) Paper jams.	Check if the paper is excessively curled.	Change the paper.
	Check if the contact between the upper and lower registration rollers is correct.	Check visually and remedy if necessary.
	Check if the heat roller or press roller is extremely dirty or deformed.	Check visually and replace the fuser unit (see page 1-5-29).
(6) Toner drops on the paper conveying path.	Check if the drum unit or developing unit is extremely dirty.	Clean the drum unit or developing unit.
(7) Abnormal noise is heard.	Check if the rollers, pulleys and gears operate smoothly.	Grease the bushes and gears.
	Check if the following clutches are installed correctly. Paper feed clutch Registration clutch Middle clutch Duplex clutch	Check visually and remedy if necessary.

Problem	Causes/check procedures	Corrective measures
(8) No primary original feed.	Check if the surfaces of the following pulleys are dirty with paper powder. DP forwarding pulley DP feed pulley	Clean with isopropyl alcohol.
	Check if the following pulleys is deformed. DP forwarding pulley DP feed pulley	Check visually and replace any deformed (see page 1-5-49).
(9) Multiple sheets of original are fed.	Original is not correctly set.	Set the original correctly.
	Check if the DP separation pad is worn.	Replace the DP separation pad if it is worn (see page 1-5-49).
(10) Originals jam.	Originals outside the specifications are used.	Use only originals conforming to the specifications.
	Check if the surfaces of the following pulleys are dirty with paper powder. DP forwarding pulley DP feed pulley	Clean with isopropyl alcohol.
	Check if the contact between the conveying roller and conveying pulley is correct.	Check visually and remedy if necessary.
	Check if the contact between the eject roller and eject pulley is correct.	Check visually and remedy if necessary.
	Check if the contact between the switchback roller and switchback pulley is correct.	Check visually and remedy if necessary.

1-4-6 Send error code

This section describes the scanning errors and descriptions, preventive actions, as well as corrective actions. Error codes not described here could fall within software errors.

If such an error is encountered, turn power off then on, and advise the service representative.

(1) Scan to SMB error codes

Code	Contents	Check procedures/corrective measures
1101	Host destined does not exist on the network.	<ol style="list-style-type: none"> 1. Confirm the destined host. 2. Confirm the device's network parameters. 3. Confirm the parameters of the network to which the device is connected are correct.
1102	Login to the host has failed.	<ol style="list-style-type: none"> 1. Confirm user name and password. 2. Confirm the parameters of the network to which the device is connected are correct. 3. Check the host if the folder is properly shared.
1103	Destined host, folder, and/or file names are invalid.	<ol style="list-style-type: none"> 1. Check illegal characters are not contained within these names. 2. Check the name of the folder and files conform with the naming syntax. 3. Confirm destined host and folder.
1105	SMB protocol is not enabled.	<ol style="list-style-type: none"> 1. Confirm device's SMB protocols.
2101	Login to the host has failed.	<ol style="list-style-type: none"> 1. Confirm the destined host. 2. Confirm that the LAN cable is properly connected to the device. 3. Check the SMB port number. 4. Confirm the device's network parameters. 5. Confirm the parameters of the network to which the device is connected are correct.
2201	Writing scanned data has failed.	<ol style="list-style-type: none"> 1. Check the file name to save the scanned data. 2. Confirm the device's network parameters. 3. Confirm the parameters of the network to which the device is connected are correct.

(2) Scan to FTP error codes

Code	Contents	Check procedures/corrective measures
1101	FTP server does not exist on the network.	<ol style="list-style-type: none"> 1. Check the FTP server name. 2. Confirm device's network parameters. 3. Confirm the parameters of the network to which the device is connected are correct.
1102	Login to the FTP server has failed.	<ol style="list-style-type: none"> 1. Confirm user name and password. 2. Check the FTP server name.
1103	Destined folder is invalid.	<ol style="list-style-type: none"> 1. Check that the illegal characters are not contained within these names. 2. Check the FTP server name.
1105	FTP protocol is not enabled.	<ol style="list-style-type: none"> 1. Confirm device's FTP protocols.
1131	Initializing TLS has failed.	<ol style="list-style-type: none"> 1. Confirm device's security parameters.
1132	TLS negotiation has failed.	<ol style="list-style-type: none"> 1. Confirm device's security parameters. 2. Check the FTP server name.
2101	Access to the FTP server has failed.	<ol style="list-style-type: none"> 1. Check the FTP server name. 2. Confirm that the LAN cable is properly connected to the device. 3. Check the FTP port number. 4. Confirm device's network parameters. 5. Confirm the network parameters the device is connected. 6. Check the FTP server name.
2102	Access to the FTP server has failed. (Connection timeout)	<ol style="list-style-type: none"> 1. Check the FTP server name. 2. Check the FTP port number. 3. Confirm device's network parameters. 4. Confirm the network parameters the device is connected. 5. Check the FTP server name.
2201	Connection with the FTP server has failed.	<ol style="list-style-type: none"> 1. Confirm device's network parameters. 2. Confirm the network parameters the device is connected. 3. Confirm destined folder. 4. Check the FTP server name.
2202	Connection with the FTP server has failed. (Timeout)	<ol style="list-style-type: none"> 1. Confirm device's network parameters. 2. Confirm the network parameters the device is connected.
2231	Connection with the FTP server has failed. (FTPS communication)	<ol style="list-style-type: none"> 1. Confirm device's network parameters. 2. Confirm the network parameters the device is connected.
3101	FTP server responded with an error.	<ol style="list-style-type: none"> 1. Confirm device's network parameters. 2. Confirm the network parameters the device is connected. 3. Check the FTP server.

(3) Scan to E-mail error codes

Code	Contents	Check procedures/corrective measures
1101	SMTP/POP3 server does not exist on the network.	<ol style="list-style-type: none"> 1. Check the SMTP/POP3 server name. 2. Confirm device's network parameters. 3. Confirm the parameters of the network to which the device is connected are correct.
1102	Login to the SMTP/POP3 server has failed.	<ol style="list-style-type: none"> 1. Confirm user name and password. 2. Check the SMTP/POP3 server.
1104	The domain the destined address belongs is prohibited by scanning restriction.	<ol style="list-style-type: none"> 1. Confirm device's SMTP parameters.
1105	SMTP protocol is not enabled.	<ol style="list-style-type: none"> 1. Confirm device's SMTP protocols.
1106	Sender's address is not specified.	<ol style="list-style-type: none"> 1. Confirm device's SMTP protocols.
2101	Connection to the SMTP/POP3 server has failed.	<ol style="list-style-type: none"> 1. Check the SMTP/POP3 server name. 2. Confirm that the LAN cable is properly connected to the device. 3. Check the SMTP/POP3 port number. 4. Confirm device's network parameters. 5. Confirm the network parameters the device is connected. 6. Check the SMTP/POP3 server.
2102	Connection to the SMTP/POP3 server has failed. (Connection timeout)	<ol style="list-style-type: none"> 1. Check the SMTP/POP3 server name. 2. Check the SMTP/POP3 port number. 3. Confirm device's network parameters. 4. Confirm the network parameters the device is connected. 5. Check the SMTP/POP3 server.
2201	Connection to the SMTP/POP3 server has failed.	<ol style="list-style-type: none"> 1. Confirm device's network parameters. 2. Confirm the network parameters the device is connected.
2202	Connection to the SMTP/POP3 server has failed. (Timeout)	<ol style="list-style-type: none"> 1. Confirm device's network parameters. 2. Confirm the network parameters the device is connected.
2204	The size of scanning exceeded its limit.	<ol style="list-style-type: none"> 1. Confirm device's network parameters.
3101	SMTP/POP3 server responded with an error.	<ol style="list-style-type: none"> 1. Confirm device's network parameters. 2. Confirm the network parameters the device is connected. 3. Check the SMTP/POP3 server.
3201	No SMTP authentication is found.	<ol style="list-style-type: none"> 1. Check the SMTP server. 2. The device supports SMTP authentication services including CRAM-MD5, DIGEST-MD5, PLAIN and LOGIN.

1-4-7 Error codes

(1) Error code

Error codes are listed on the communication reports, activity report, etc. The codes consist of an error code indication U followed by a 5-digit number. (Error codes for V34 communication errors start with an E indication, followed by five digits.)

The upper three of the five digits indicate general classification of the error and its cause, while the lower two indicate the detailed classification. Items for which detailed classification is not necessary have 00 as the last two digits.

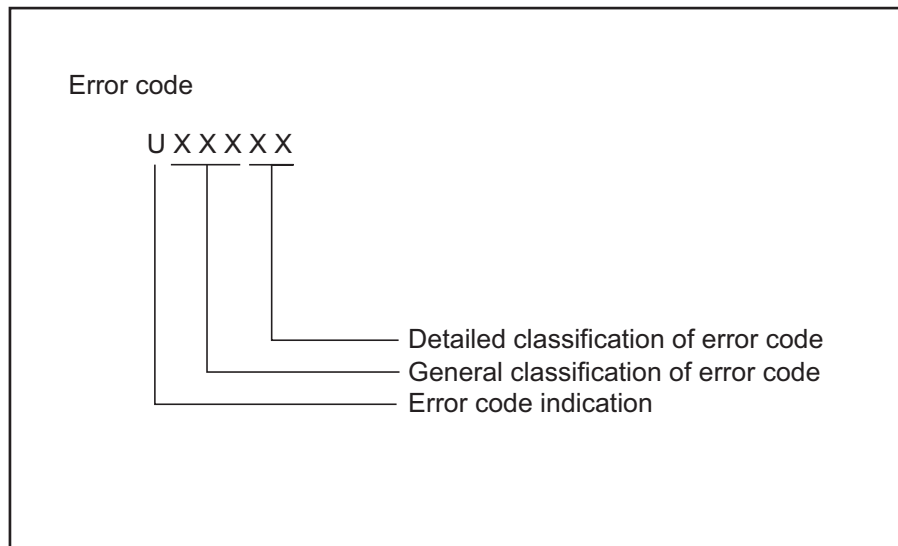


Figure 1-4-8

(2) Table of general classification

Error code	Description
U00000	No response or busy after the set number of redials.
U00100	Transmission was interrupted by a press of the stop/clear key.
U00200	Reception was interrupted by a press of the stop/clear key.
U00300	Recording paper on the destination unit has run out during transmission.
U004XX	A connection was made but interrupted during handshake with the receiver unit (refer to 1-4-35 U004XX error code table).
U006XX	Communication was interrupted because of a machine problem (refer to 1-4-35 U006XX error code table).
U00700	Communication was interrupted because of a problem in the destination unit.
U008XX	A page transmission error occurred in G3 mode (refer to 1-4-35 U008XX error code table).
U009XX	A page reception error occurred in G3 mode (refer to 1-4-35 U009XX error code table).
U010XX	Transmission in G3 mode was interrupted by a signal error (refer to 1-4-36 U010XX error code table).
U011XX	Reception in G3 mode was interrupted by a signal error (refer to 1-4-37 U011XX error code table).
U01400	An invalid one-touch key was specified during communication.
U01500	A communication error occurred when calling in V.8 mode.
U01600	A communication error occurred when called in V.8 mode.
U017XX	A communication error occurred before starting T.30 protocol during transmission in V.34 mode (refer to 1-4-38 U017XX error code table).
U018XX	A communication error occurred before starting T.30 protocol during reception in V.34 mode (refer to 1-4-38 U018XX error code table).
U03000	No document was present in the destination unit when polling reception started.
U03200	In interoffice subaddress-based bulletin board reception, data was not stored in the box specified by the destination unit.
U03300	In polling reception from a unit of our make, operation was interrupted due to a mismatch in permit ID or telephone number. Or, in interoffice subaddress-based bulletin board reception, operation was interrupted due to a mismatch in permit ID or telephone number.
U03400	Polling reception was interrupted because of a mismatch in individual numbers (destination unit is either of our make or by another manufacturer).
U03500	In interoffice subaddress-based bulletin board reception, the specified Subaddress confidential box number was not registered in the destination unit.
U03600	An interoffice subaddress-based bulletin board reception was interrupted because of a mismatch in the specified subaddress confidential box number.
U03700	Interoffice subaddress-based bulletin board reception failed because the destination unit had no subaddress-based bulletin board transmission capability, or data was not stored in any subaddress confidential box in the destination unit.
U04000	In interoffice subaddress-based transmission mode, the specified subaddress box number was not registered in the destination unit.

Error code	Description
U04100	Subaddress-based transmission failed because the destination unit had no subaddress-based reception capability.
U04200	In encrypted transmission, the specified encryption box was not registered in the destination unit.
U04300	Encrypted transmission failed because the destination unit had no encrypted communication capability.
U044XX	Communication was interrupted because of an encryption key error during encrypted transmission (refer to 1-4-38 U044XX error code table).
U04500	Encrypted reception was interrupted because of a mismatch in encryption keys.
U05100	Password check transmission or restricted transmission was interrupted because the permit ID's did not agree with.
U05200	Password check reception or restricted reception was interrupted because the permit ID's did not match, the rejected FAX number's did match, or the destination receiver did not return its phone number.
U05300	The password check reception or the restricted reception was interrupted because the permitted numbers did not match, the rejected numbers did match, or the machine in question did not acknowledge its phone number.
U14000	Memory overflowed during confidential reception. Or, in subaddress-based confidential reception, memory overflowed.
U14100	In interoffice subaddress-based transmission, memory overflowed in the destination unit.
U19000	Memory overflowed during memory reception.
U19100	Memory overflowed in the destination unit during transmission.
U19300	Transmission failed because an error occurred during JBIG encoding.

(2-1) U004XX error code table: Interrupted phase B

Error code	Description
U00430	Polling request was received but interrupted because of a mismatch in permit number. Or, subaddress-based bulletin board transmission request was received but interrupted because of a mismatch in permit ID in the transmitting unit.
U00431	An subaddress-based bulletin board transmission was interrupted because the specified subaddress confidential box was not registered.
U00432	An subaddress-based bulletin board transmission was interrupted because of a mismatch in Subaddress confidential box numbers.
U00433	Subaddress-based bulletin board transmission request was received but data was not present in the subaddress confidential box.
U00440	Subaddress-based confidential reception was interrupted because the specified subaddress box was not registered.
U00450	The destination transmitter disconnected because the permit ID's did not agree with while the destination transmitter is in password-check transmission or restricted transmission.
U00460	Encrypted reception was interrupted because the specified encryption box number was not registered.
U00462	Encrypted reception was interrupted because the encryption key for the specified encryption box was not registered.

(2-2) U006XX error code table: Problems with the unit

Error code	Description
U00601	Document jam or the document length exceeds the maximum.
U00613	Image writing section problem
U00656	Data was not transmitted to a modem error.
U00690	System error.

(2-3) U008XX error code table: Page transmission error

Error code	Description
U00800	A page transmission error occurred because of reception of a RTN or PIN signal.
U00811	A page transmission error reoccurred after retry of transmission in the ECM mode.

(2-4) U009XX error code table: Page reception error

Error code	Description
U00900	An RTN or PIN signal was transmitted because of a page reception error.
U00910	A page reception error remained after retry of transmission in the ECM mode.

(2-5) U010XX error code table: G3 transmission

Error code	Description
U01000	An FTT signal was received for a set number of times after TCF signal transmission at 2400 bps. Or, an RTN signal was received in response to a Q signal (excluding EOP) after transmission at 2400 bps.
U01001	Function of the unit differs from that indicated by a DIS signal.
U01016	An MCF signal was received but no DIS signal was received after transmission of an EOM signal, and T1 timeout was detected.
U01019	No relevant signal was received after transmission of a CNC signal, and the preset number of command retransfers was exceeded (between units of our make).
U01020	No relevant signal was received after transmission of a CTC signal, and the preset number of command retransfers was exceeded (ECM).
U01021	No relevant signal was received after transmission of an EOR.Q signal, and the preset number of command retransfers was exceeded (ECM).
U01022	No relevant signal was received after transmission of an RR signal, and the preset number of command retransfers was exceeded (ECM).
U01028	T5 time-out was detected during ECM transmission (ECM).
U01052	A DCN signal was received after transmission of an RR signal (ECM).
U01080	A PIP signal was received after transmission of a PPS.NULL signal.
U01092	During transmission in V.34 mode, communication was interrupted because of an impossible combination of the symbol speed and communication speed.
U01093	A DCN or other inappropriate signal was received during phase B of transmission.
U01094	The preset number of command retransfers for DCS/NSS signals was exceeded during phase B of transmission.
U01095	No relevant signal was received after transmission of a PPS (Q) signal during phase D of transmission, and the preset number of command transfers was exceeded.
U01096	A DCN signal or invalid command was received during phase D of transmission.
U01097	The preset number of command retransfers was exceeded after transmission of an RR signal or no response.

(2-6) U011XX error code table: G3 reception

Error code	Description
U01100	Function of the unit differs from that indicated by a DCS signal.
U01101	Function of the unit (excl. communication mode select) differs from that indicated by an NSS signal.
U01102	A DTC (NSC) signal was received when no transmission data was in the unit.
U01110	No response after transmission of a DIS signal.
U01111	No response after transmission of a DTC (NSC) signal.
U01113	No response after transmission of an FTT signal.
U01125	No response after transmission of a CNS signal (between units of our make).
U01129	No response after transmission of an SPA signal (short protocol).
U01141	A DCN signal was received after transmission of a DTC signal.
U01143	A DCN signal was received after transmission of an FTT signal.
U01155	A DCN signal was received after transmission of an SPA signal (short protocol).
U01160	During message reception, transmission time exceeded the maximum transmission time per line.
U01162	Reception was aborted due to a modem malfunction during message reception.
U01191	Communication was interrupted because an error occurred during an image data reception sequence in the V.34 mode.
U01193	There was no response, or a DCN signal or invalid command was received, during phase C/D of reception.
U01194	A DCN signal was received during phase B of reception.
U01195	No message was received during phase C of reception.
U01196	Error line control was exceeded and a decoding error occurred for the message being received.

(2-7) U017XX error code table: V.34 transmission

Error code	Description
U01700	A communication error occurred in phase 2 (line probing).
U01720	A communication error occurred in phase 4 (modem parameter exchange).
U01721	Operation was interrupted due to the absence of a common communication speed between units.

U01700: A communication error that occurs at the transmitting unit in the period after transmission of INFO0 before entering phase 3 (primary channel equivalent device training). For example, INFO0/A/Abar (B/Bbar, for polling transmission)/INFOh was not detected.

U01720: A communication error that occurs at the transmitting unit in the period after initiating the control channel before entering the T.30 process. For example, PPh/ALT/MPh/E was not detected.

U01721: In the absence of a common communication speed between units (including when an impossible combination of communication speed and symbol speed occurs) after MPh exchange; 1) a DCN signal was received from the destination unit, and the line was cut; or 2) a DIS (NSF, CSI) signal was received from the destination unit and, in response to the signal, the unit transmitted a DCN signal, and the line was cut.

(2-8) U018XX error code table: V.34 reception

Error code	Description
U01800	A communication error occurred in phase 2 (line probing).
U01810	A communication error occurred in phase 3 (primary channel equivalent device training).
U01820	A communication error occurred in phase 4 (modem parameter exchange).
U01821	Operation was interrupted due to the absence of a common communication speed between units.

U01800: A communication error that occurs at the receiver unit in the period after transmission of INFO0 before entering phase 3 (primary channel equivalent device training). For example, INFO0/B/Bbar (A/Abar, for polling reception)/probing tone was not detected.

U01810: A communication error that occurs at the receiver unit in phase 3 (primary channel equivalent device training). For example, S/Sbar/PP/TRN was not detected.

U01820: A communication error that occurs at the receiver unit in the period after initiating the control channel before entering the T.30 process. For example, PPh/ALT/MPh/E was not detected.

U01821: In the absence of a common communication speed between units (including when an impossible combination of communication speed and symbol speed occurs) after MPh exchange, a DCN signal was transmitted to the destination unit and the line was cut.

(2-9) U044XX error code table: Encrypted transmission

Error code	Description
U04400	Encrypted transmission was interrupted because encryption keys did not agree.

1-5-1 Precautions for assembly and disassembly

(1) Precautions

Before starting disassembly, press the Power key on the operation panel to off. Make sure that the Power lamp is off before turning off the main power switch. And then unplug the power cable from the wall outlet.

When the fax kit is installed, be sure to disconnect the modular code before starting disassembly.

When handling PWBs (printed wiring boards), do not touch parts with bare hands.

The PWBs are susceptible to static charge.

Do not touch any PWB containing ICs with bare hands or any object prone to static charge.

When removing the hook of the connector, be sure to release the hook.

Take care not to get the cables caught.

To reassemble the parts, use the original screws. If the types and the sizes of screws are not known, refer to the PARTS LIST.

(2) Drum

Note the following when handling or storing the drum.

When removing the drum unit, never expose the drum surface to strong direct light.

Keep the drum at an ambient temperature between -20°C/-4°F and 40°C/104°F and at a relative humidity not higher than 90% RH. Avoid abrupt changes in temperature and humidity.

Avoid exposure to any substance which is harmful to or may affect the quality of the drum.

Do not touch the drum surface with any object. Should it be touched by hands or stained with oil, clean it.

(3) Toner

Store the toner container in a cool, dark place.

Avoid direct light and high humidity.

(4) How to tell a genuine Kyocera Mita toner container

As a means of brand protection, the Kyocera Mita toner container utilizes an optical security technology to enable visual validation. A validation viewer is required to accomplish this.

Hold the validation viewer over the left side part of the brand protection seal on the toner container. Through each window of the validation viewer, the left side part of the seal should be seen as follows:

A black-colored band when seen through the left side window (●)

A shiny or gold-colored band when seen through the right side window (☀)

The above will reveal that the toner container is a genuine Kyocera Mita branded toner container, otherwise, it is a counterfeit.

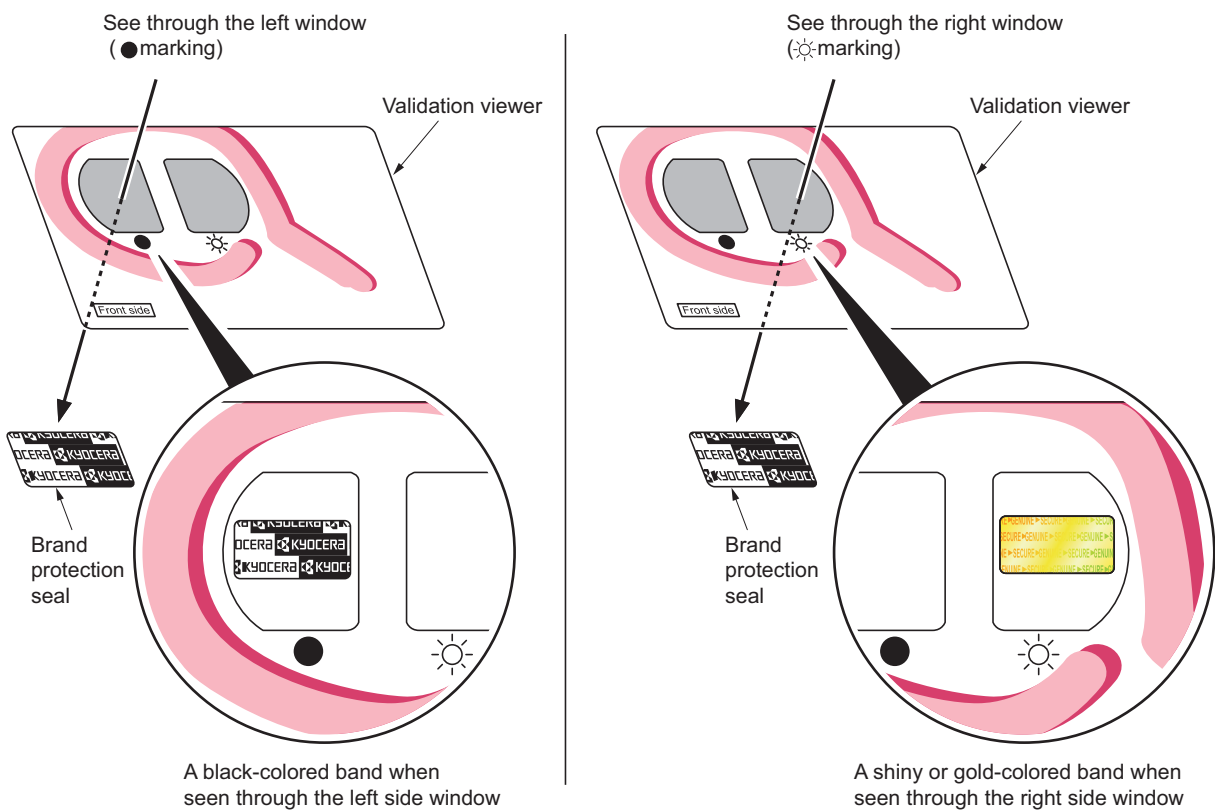


Figure 1-5-1

The brand protection seal has an incision as shown below to prohibit reuse.

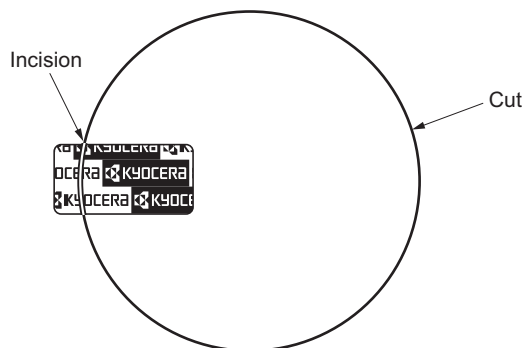


Figure 1-5-2

1-5-2 Outer covers

(1) Detaching and refitting the right cover and left cover

Procedure

1. Remove the cassette. (See page 1-5-6)
2. Open the front cover.
3. Remove the one screw.
4. Unhook six hooks and then remove the right cover.

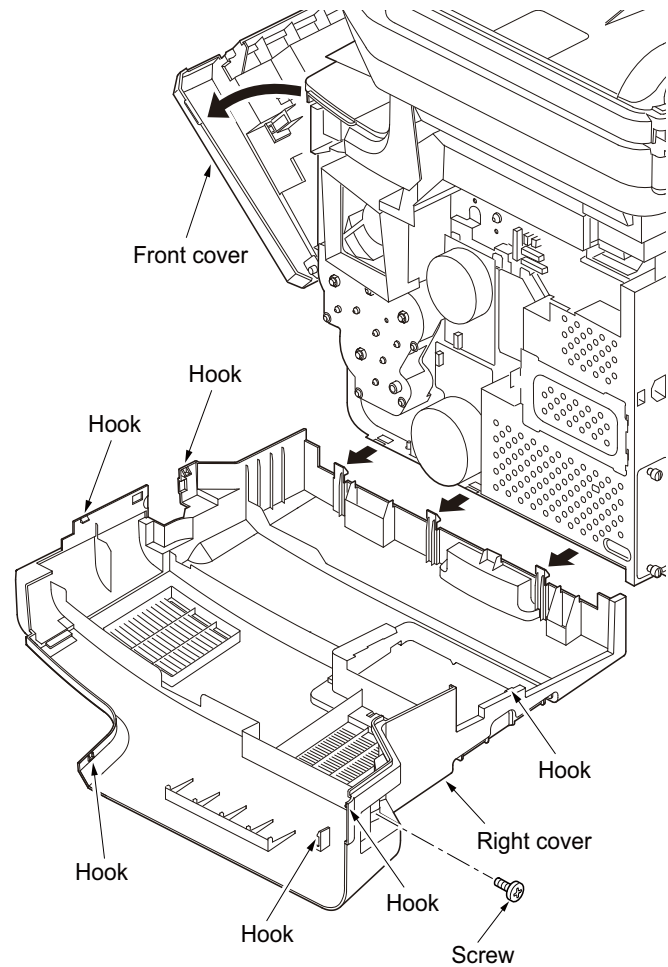


Figure 1-5-3

- 5. Remove two fulcrum of the front cover.
- 6. Unhook the hook of the front cover rack and then remove the front cover.

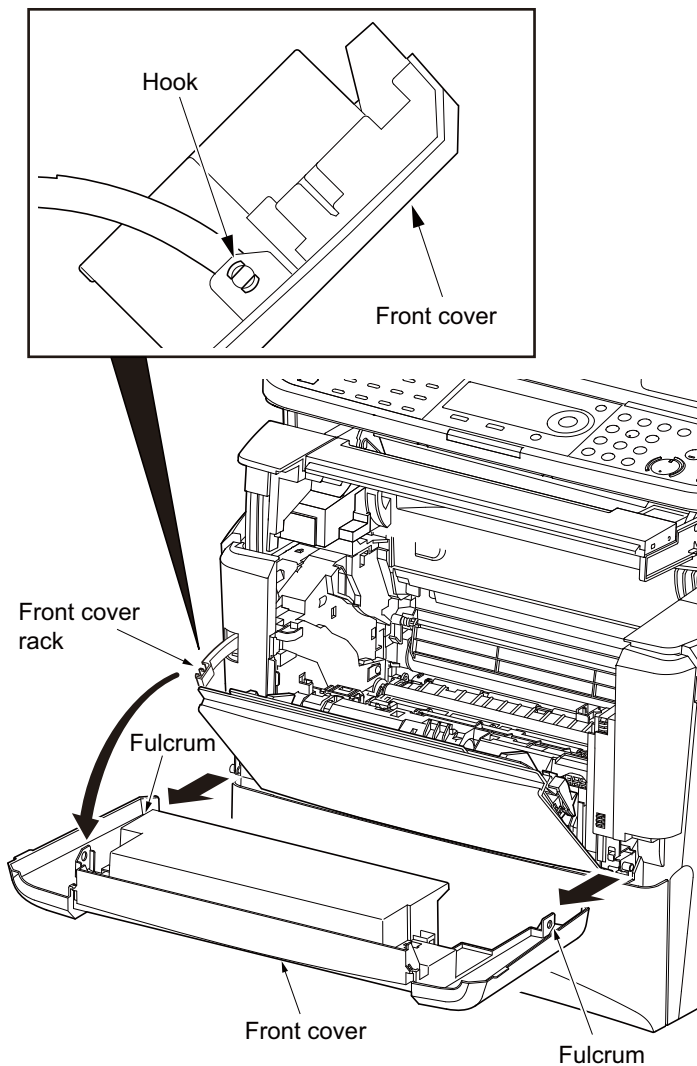


Figure 1-5-4

7. Open the left side cover and then remove the waste toner box.
(See page 1-5-26)
8. Remove the one screw and then remove the rear upper cover.
9. Unhook four hooks and then remove the rear upper cover.

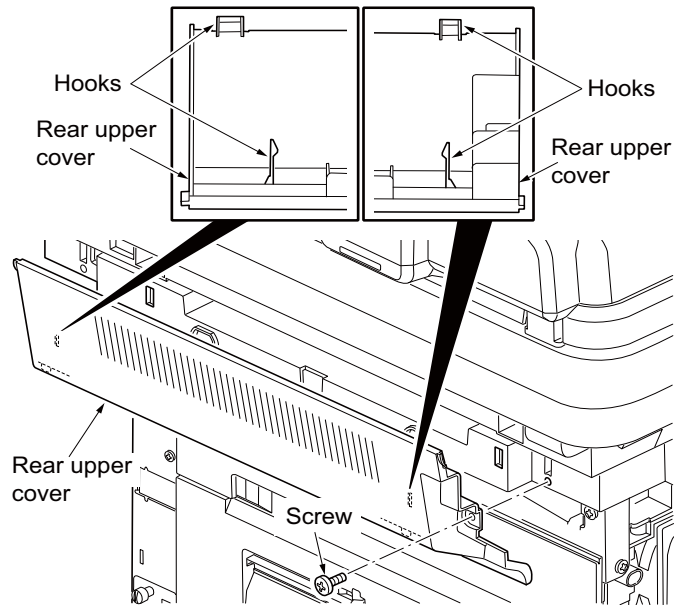


Figure 1-5-5

10. Draw the rear unit.
11. Open the rear middle cover.
12. Unhook seven hooks and then remove the left cover.

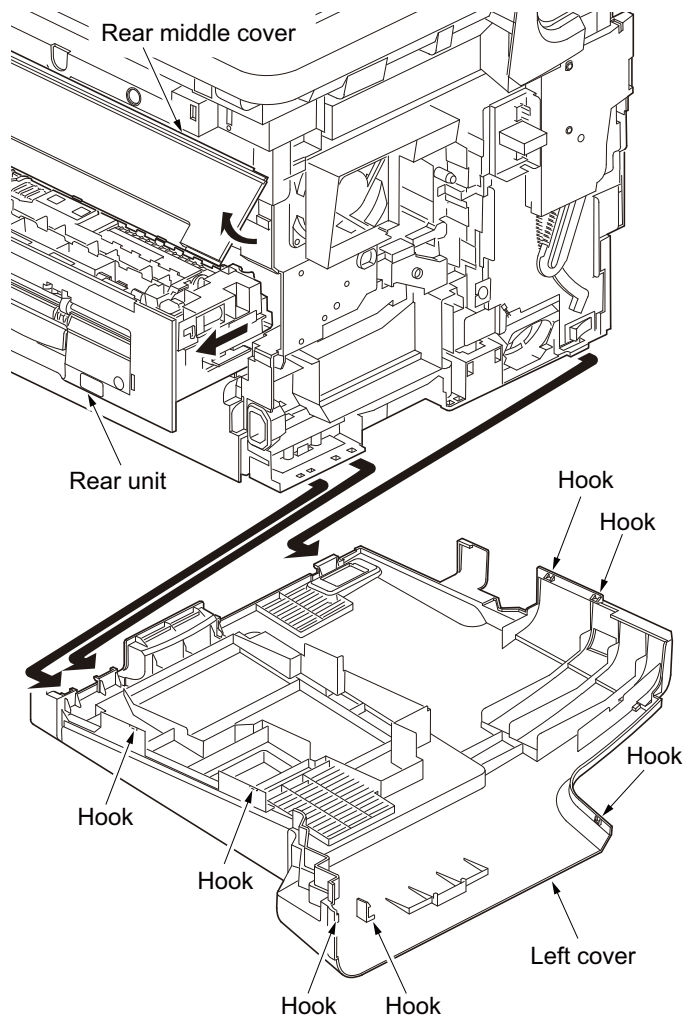


Figure 1-5-6

1-5-3 Paper feed section

(1) Detaching and refitting the paper feed assembly (paper feed roller and pickup roller)

Procedure

1. Remove the cassette.
2. While pushing the lock and then slide the paper feed roller pin.
3. While pressing the lever and then remove the paper feed assembly.
4. Check or replace the paper feed assembly and refit all the removed parts.

NOTE:

When the periodic maintenance (replacing the maintenance kit, see page 2-4-4), perform maintenance mode.:

U251 Clearing the maintenance count (see page 1-3-14)

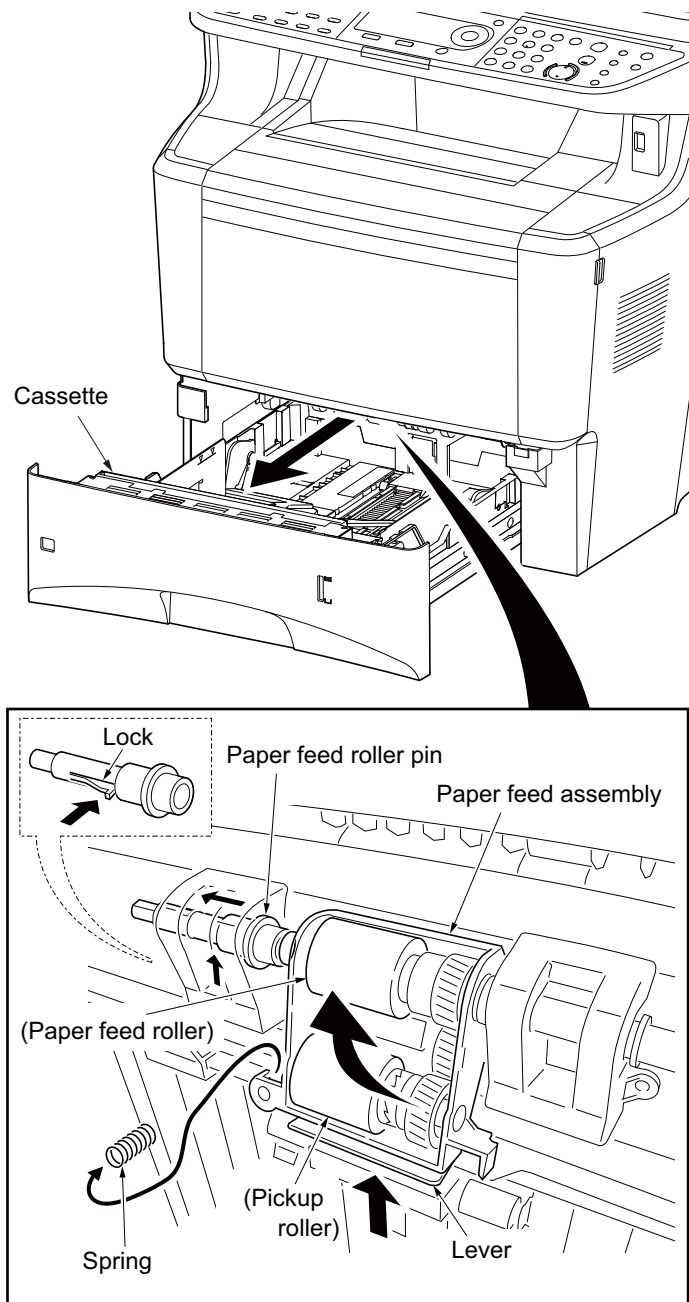


Figure 1-5-7

(2) Detaching and refitting the retard roller assembly

Procedure

1. Remove the cassette.
2. Unhook two hooks and then remove the retard guide.

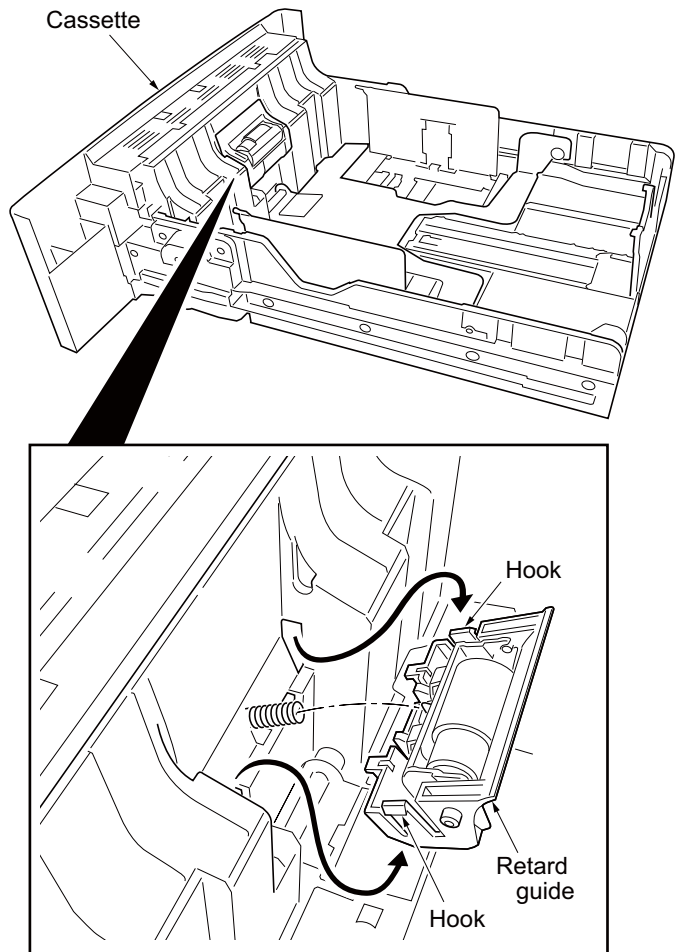


Figure 1-5-8

3. Remove the retard holder (roller) from the retard guide.
4. Check or replace the retard roller and refit all the removed parts.

NOTE:

When the periodic maintenance (replacing the maintenance kit, see page 2-4-4), perform maintenance mode.:

U251 Clearing the maintenance count (see page 1-3-14)

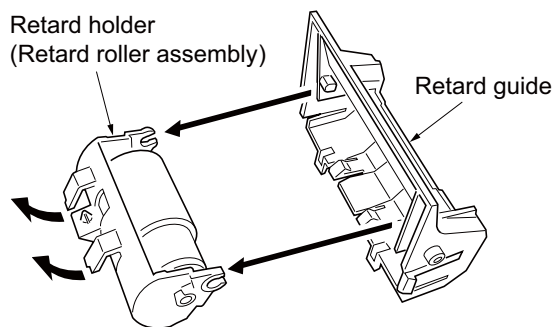


Figure 1-5-9

(3) Detaching and refitting the upper registration and lower roller

Procedure

1. Remove the developing unit.
(See page 1-5-25)
2. Remove the spring.
3. Pull the upper registration roller.

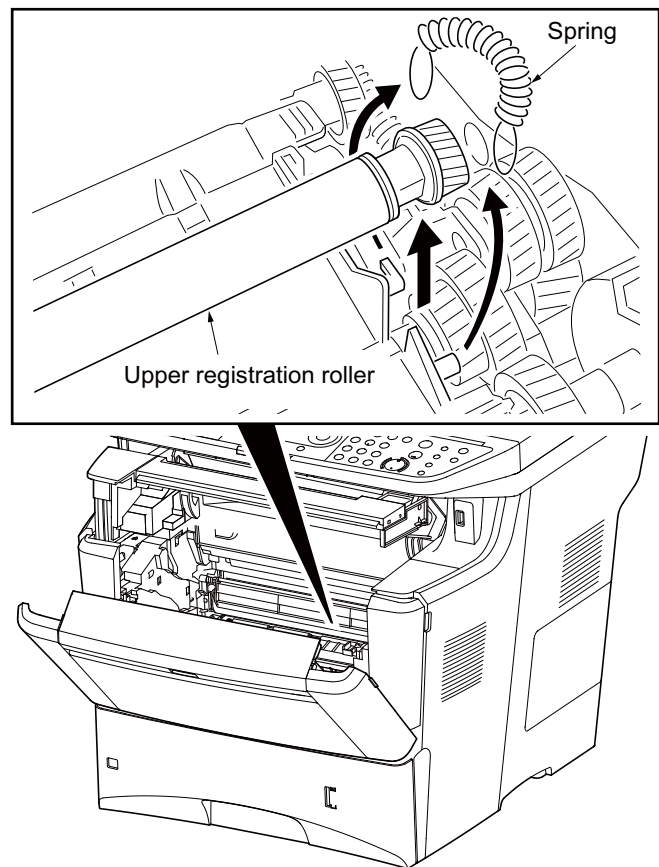


Figure 1-5-10

4. Remove the upper registration roller from the bush.
5. Remove the gear and bush from the upper registration roller.

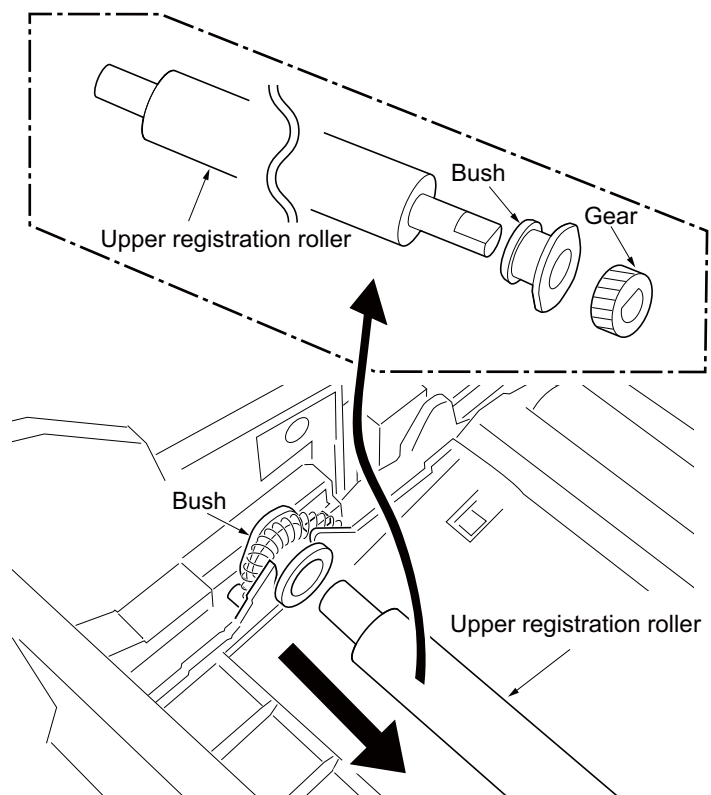


Figure 1-5-11

6. Remove the lower registration roller.
7. Remove the stopper, gear and three bushes from the lower registration roller.
8. Check or replace the upper registration and lower roller and refit all the removed parts.

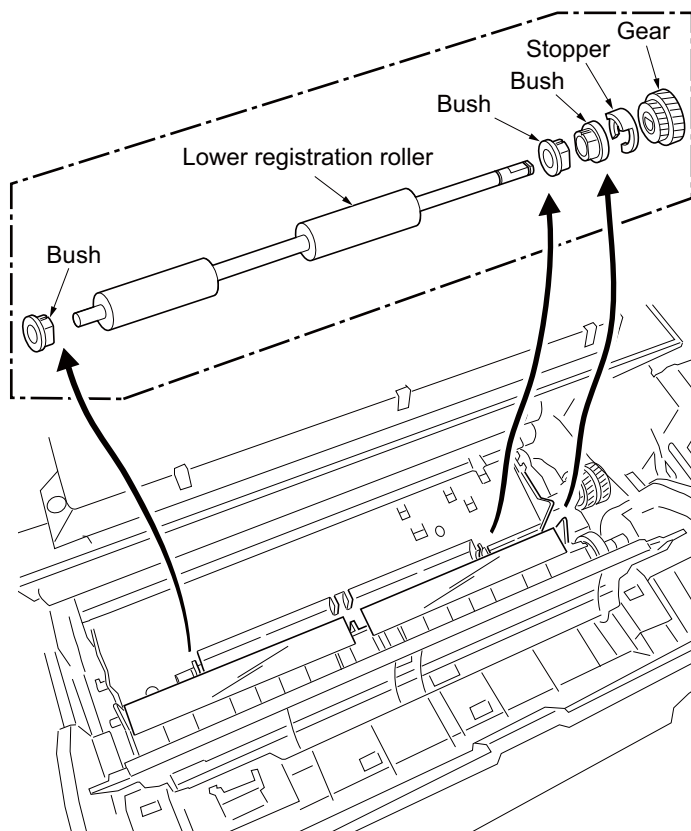


Figure 1-5-12

(4) Detaching and refitting the MP paper feed roller

Procedure

1. Open the front cover.
2. Remove the developing unit.
(See page 1-5-25)
3. Remove the front cover.
(See page 1-5-3)
4. Pull the MP paper feed tray upwards until it is removed from the machine.

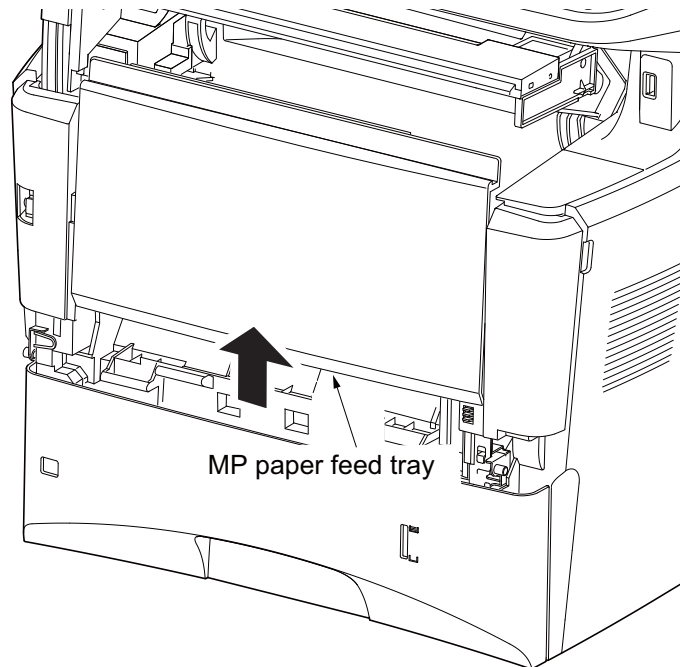


Figure 1-5-13

5. Pull the MP paper feed roller holder. (1)
6. Slide the MP paper feed roller holder. (2)
7. Remove the MP paper feed roller.
8. Check or replace the MP paper feed roller and refit all the removed parts.

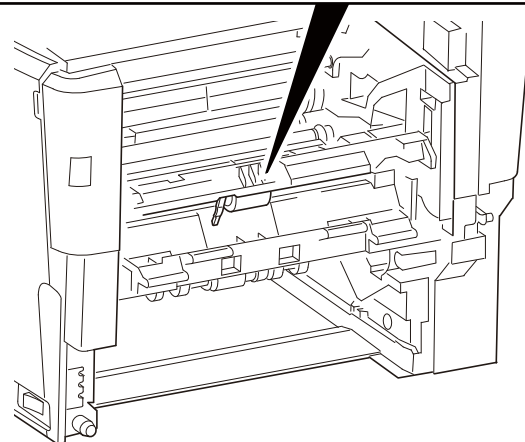
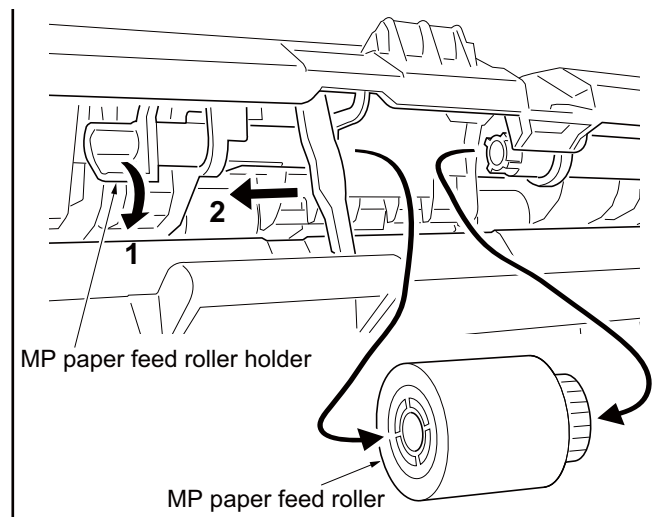


Figure 1-5-14

1-5-4 Optical section

(1) Detaching and refitting the Document processor

Procedure

1. Remove the right cover.
(See page 1-5-3)
2. Remove two connectors from the main PWB.

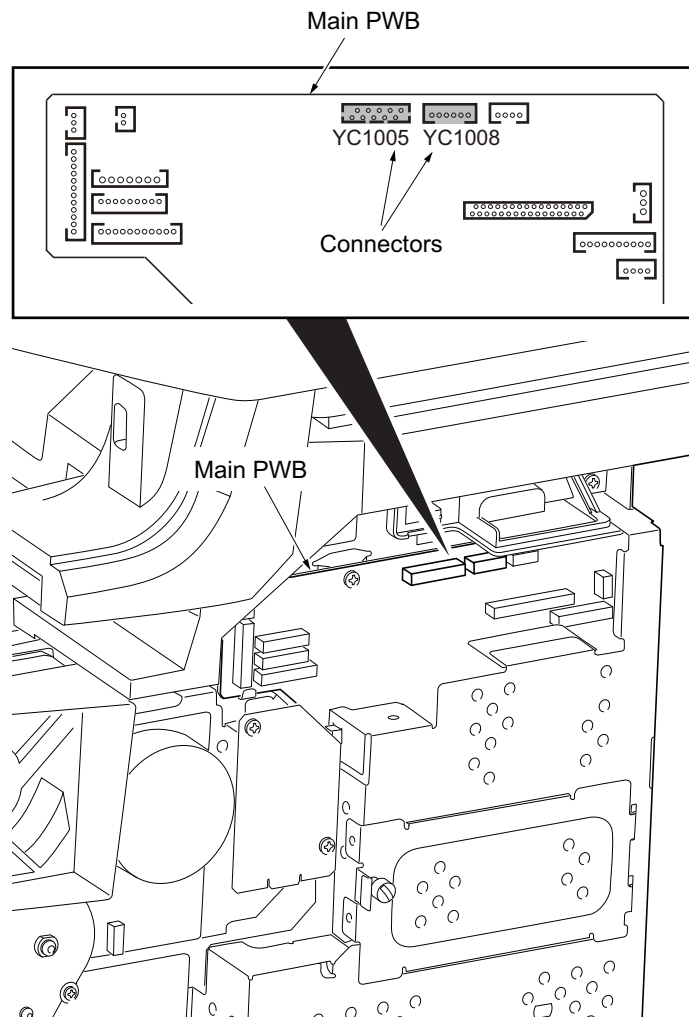


Figure 1-5-15

3. Remove the ferrite core.
4. Remove the screw and grounding terminal.
5. Release four clamps and then remove the wires.

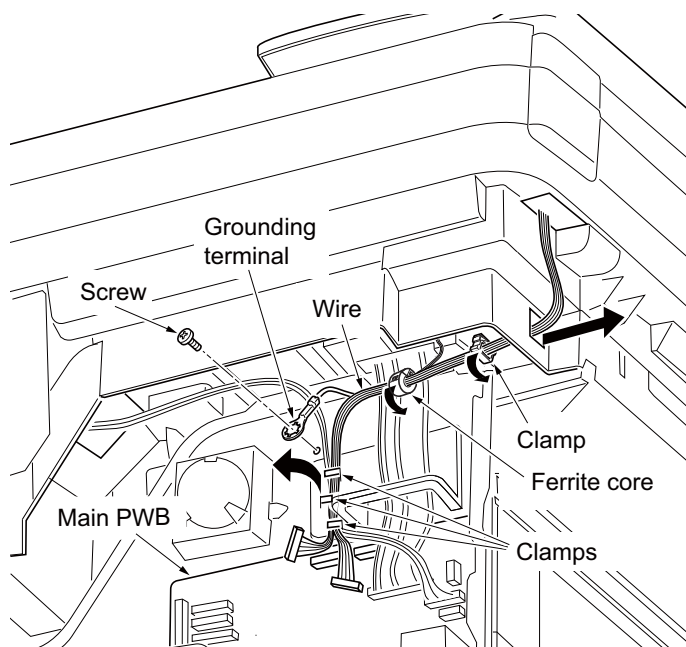


Figure 1-5-16

6. Pull the Document processor out.

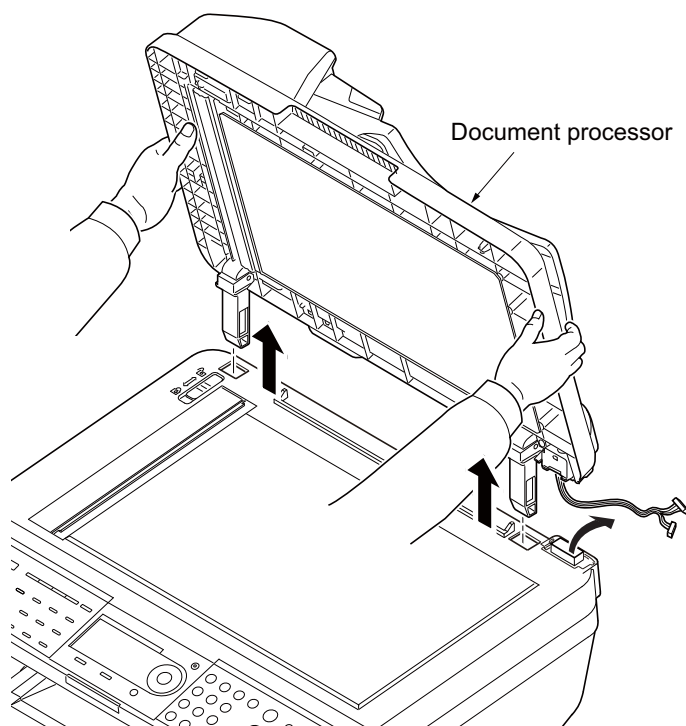


Figure 1-5-17

(2) Detaching and refitting the scanner unit

Procedure

1. Remove the right cover and left cover.
(See page 1-5-3)
2. Remove the document processor.
(See page 1-5-11)
3. Remove the FFC and two connectors from the main PWB.

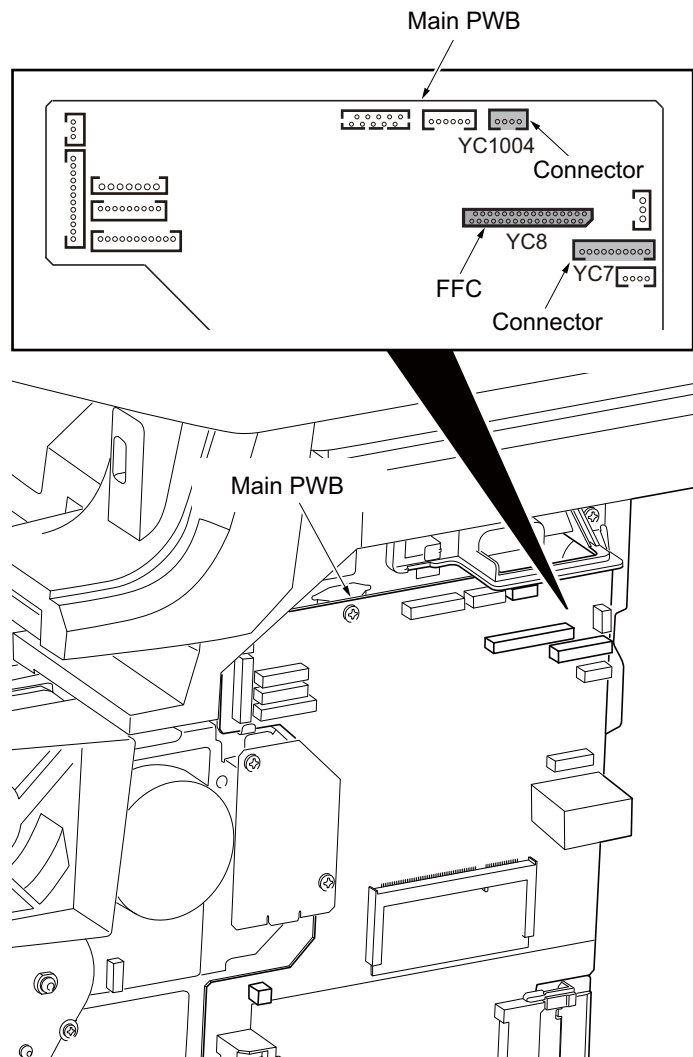


Figure 1-5-18

- 4. Release four clamps and then remove the wires.

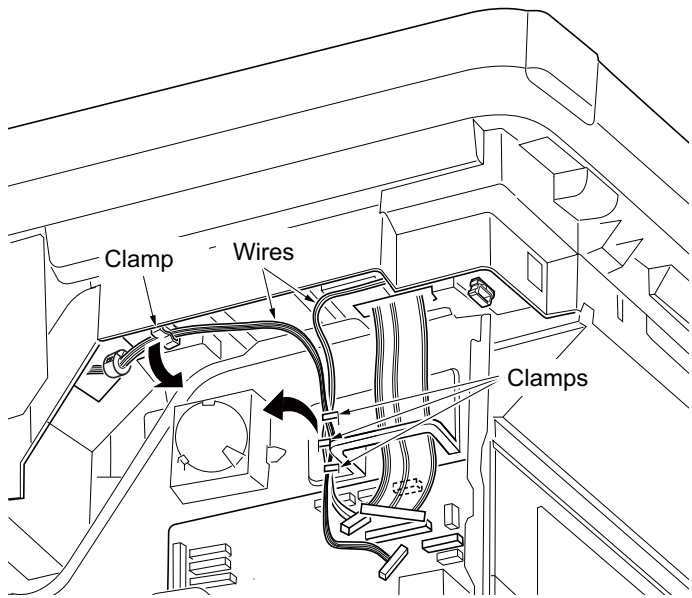


Figure 1-5-19

- 5. Remove two screws.

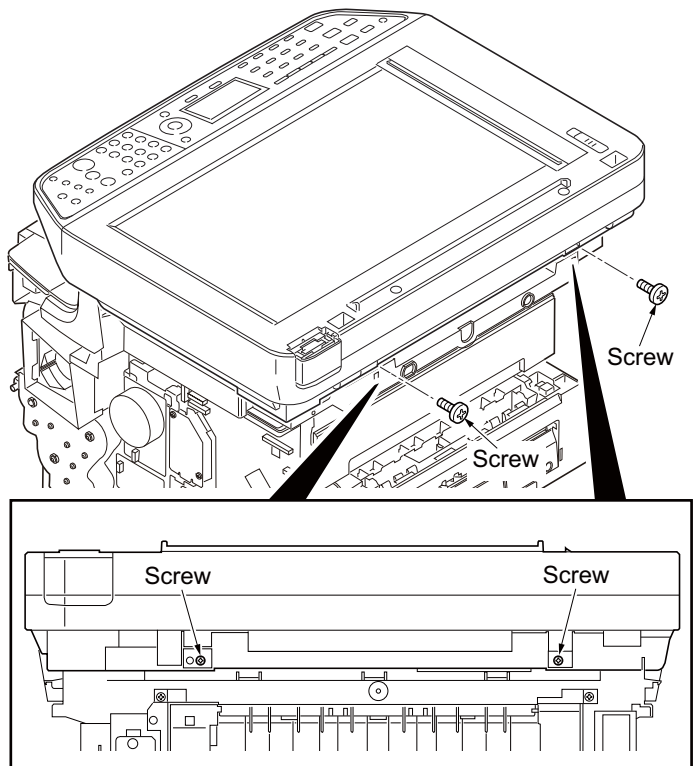


Figure 1-5-20

6. Unhook four hooks and then remove the scanner unit.

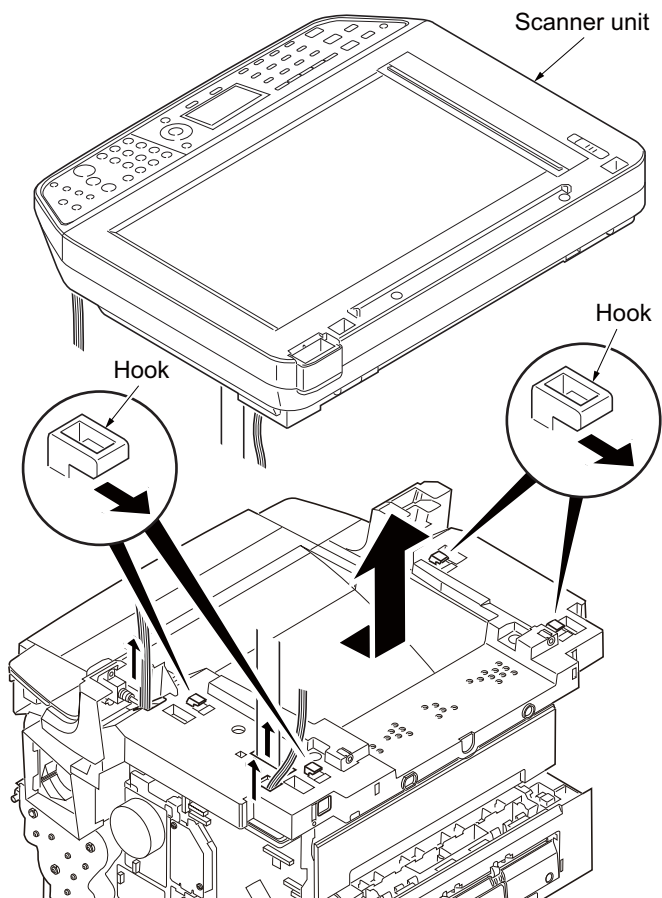


Figure 1-5-21

(3) Detaching and refitting the laser scanner unit

Procedure

1. Remove the right cover and left cover.
(See page 1-5-3)
2. Remove the document processor.
(See page 1-5-11)
3. Remove the scanner unit.
(See page 1-5-13)
4. Remove the connector from the main PWB.
5. Remove the screw and grounding terminal.
6. Release three clamps and then remove the wires.
7. Unhook the hook and then remove the right front upper cover.

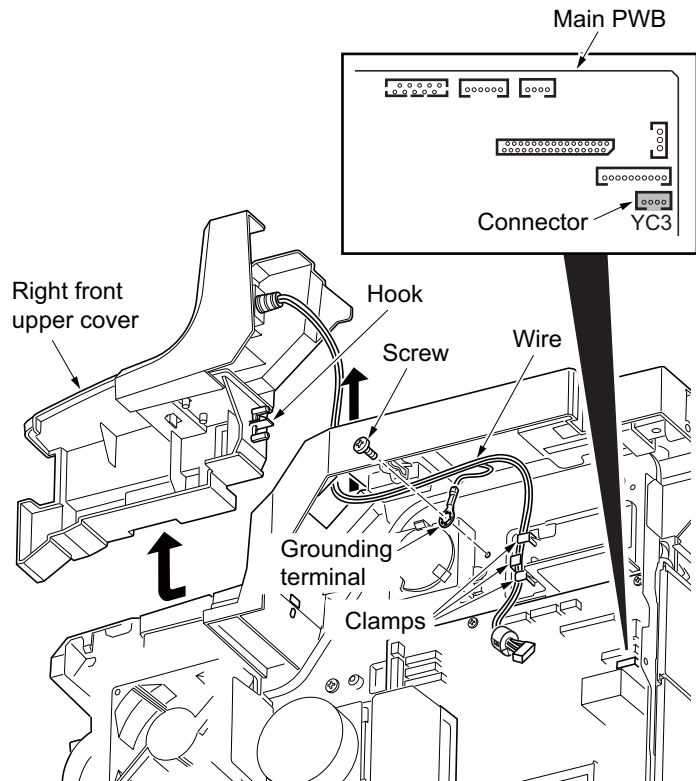


Figure 1-5-22

8. Unhook the hook and then remove the left front upper cover.
9. Remove the one screw on upper cover rack.

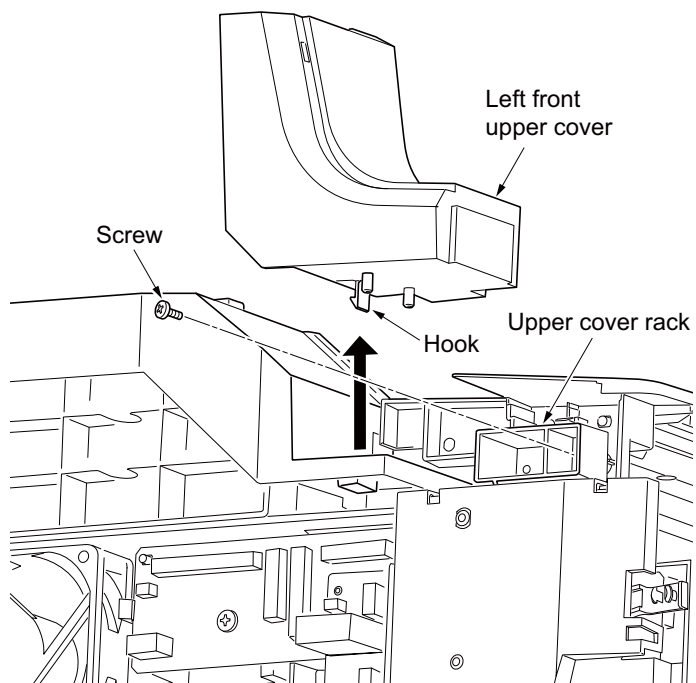


Figure 1-5-23

10. Remove two fulcrum of the upper cover.

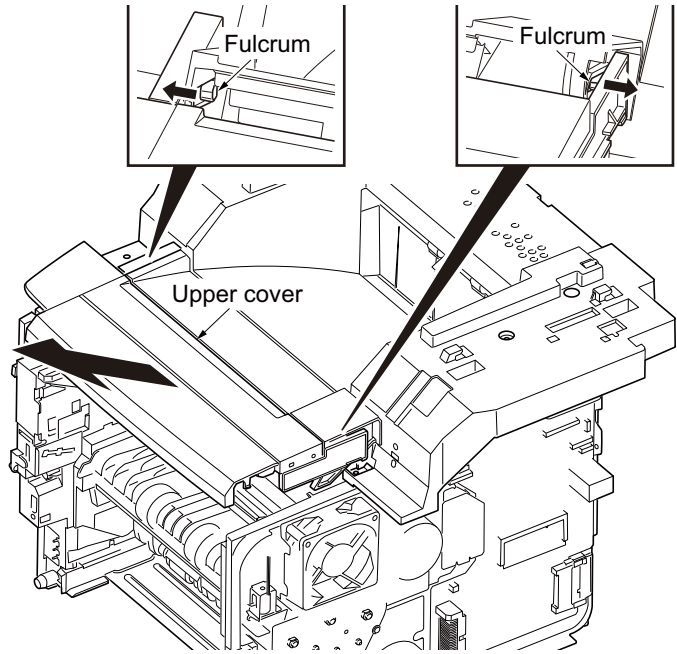


Figure 1-5-24

11. Remove six screws on the inner tray.

12. Remove the inner tray.

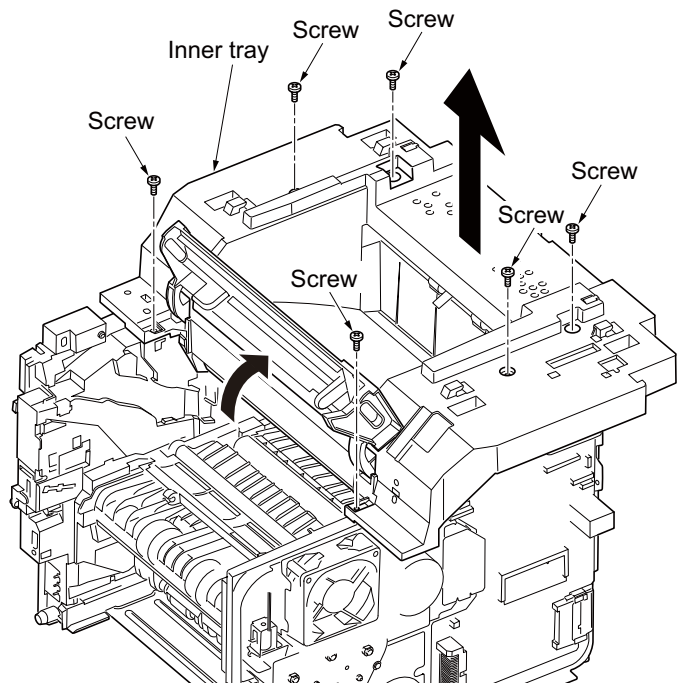


Figure 1-5-25

- 13. Remove two connectors from the main PWB.

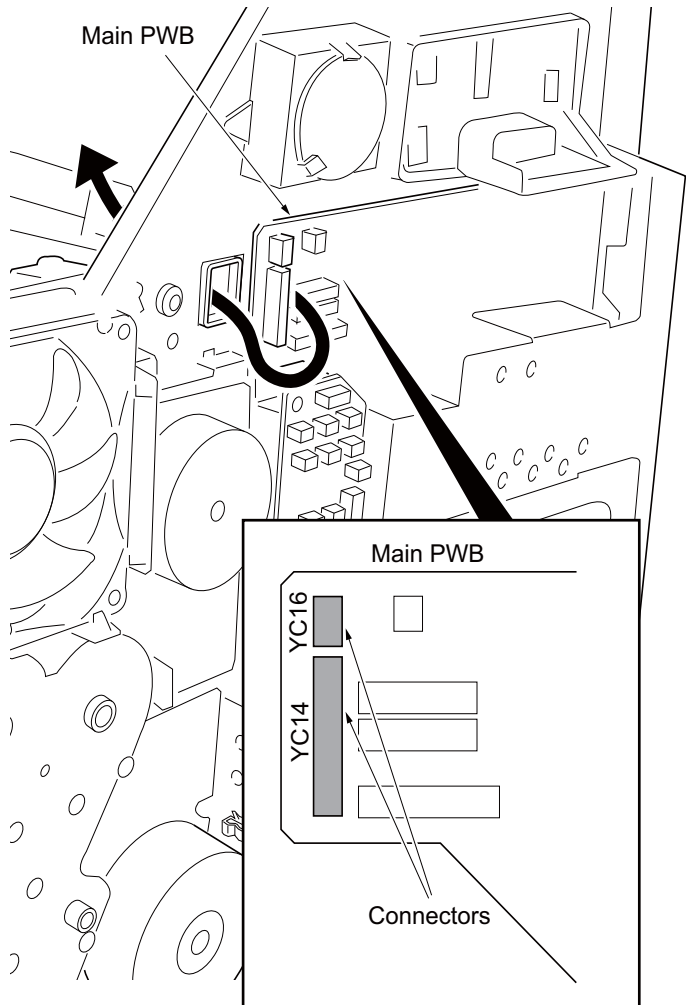


Figure 1-5-26

- 14. Remove four screws and then remove the laser scanner unit.
- 15. Check or replace the laser scanner unit and refit all the removed parts.

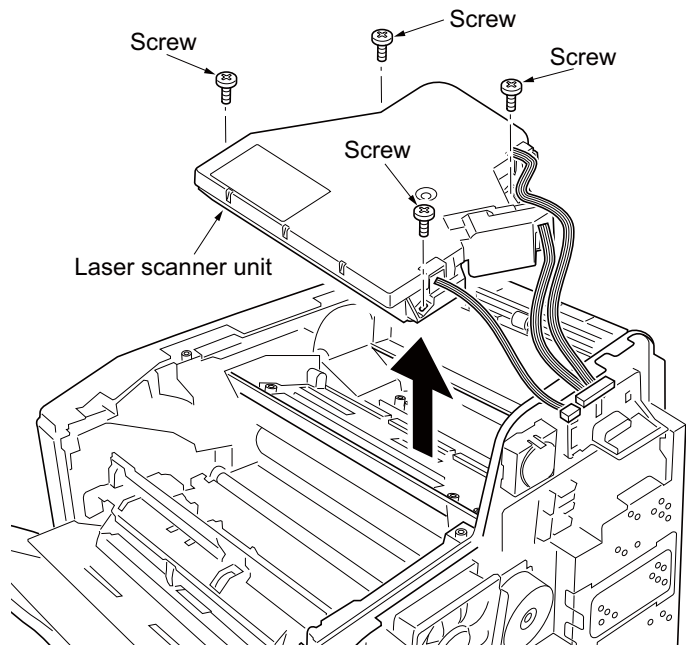


Figure 1-5-27

(4) Replacing the image scanner unit (ISU)

Procedure

Removing the image scanner unit (ISU)

1. Remove the scanner unit.
(See page 1-5-13)
2. Unhook two hooks by using a flat screwdriver from the pits.
3. Remove the connector and then remove the operation panel.

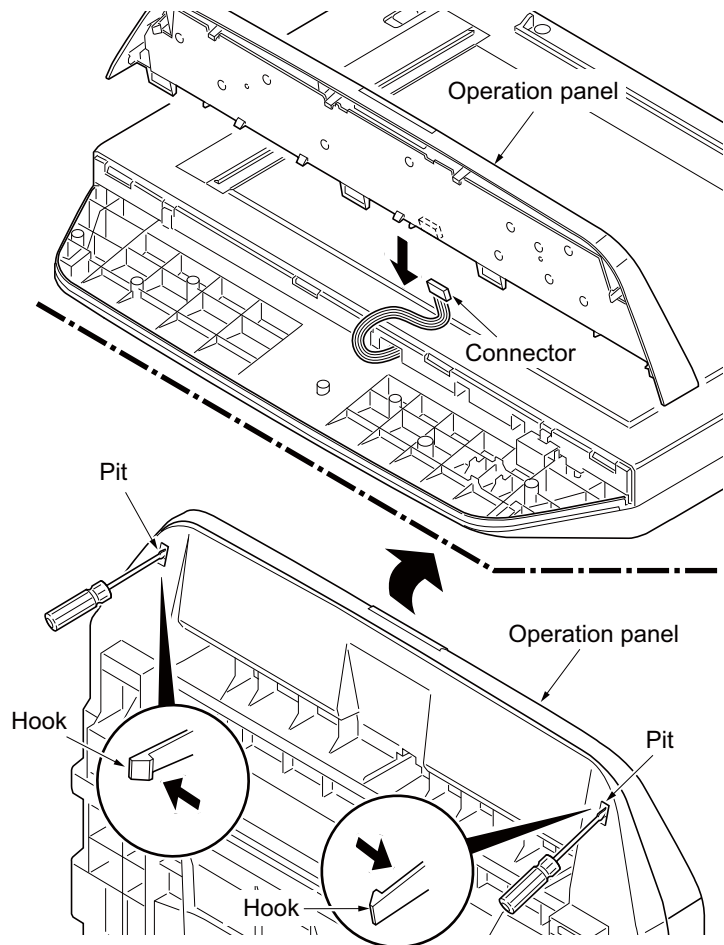


Figure 1-5-28

4. Remove two screws.
5. Unhook three hooks and then remove the ISU upper frame.

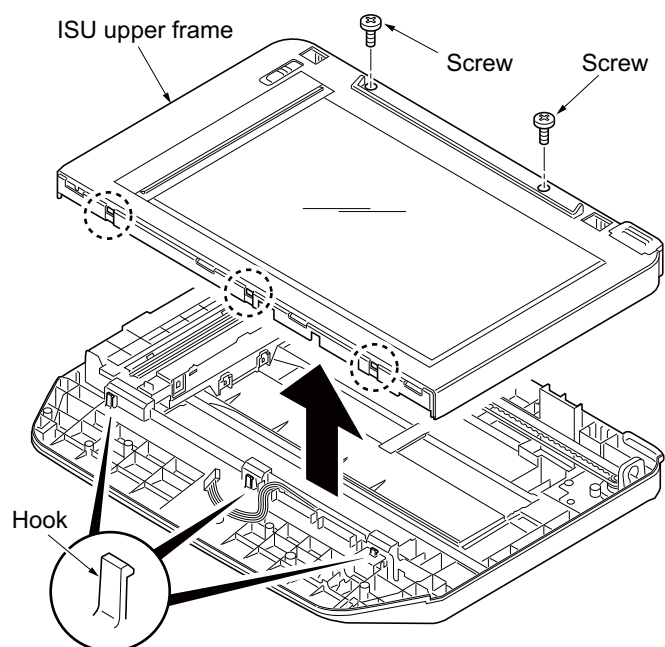


Figure 1-5-29

6. Move the image scanner unit (ISU) in the middle of the ISU shaft.
7. Detach the ISU shaft from the holder by lifting it.
8. Pull the ISU shaft out from the ISU.

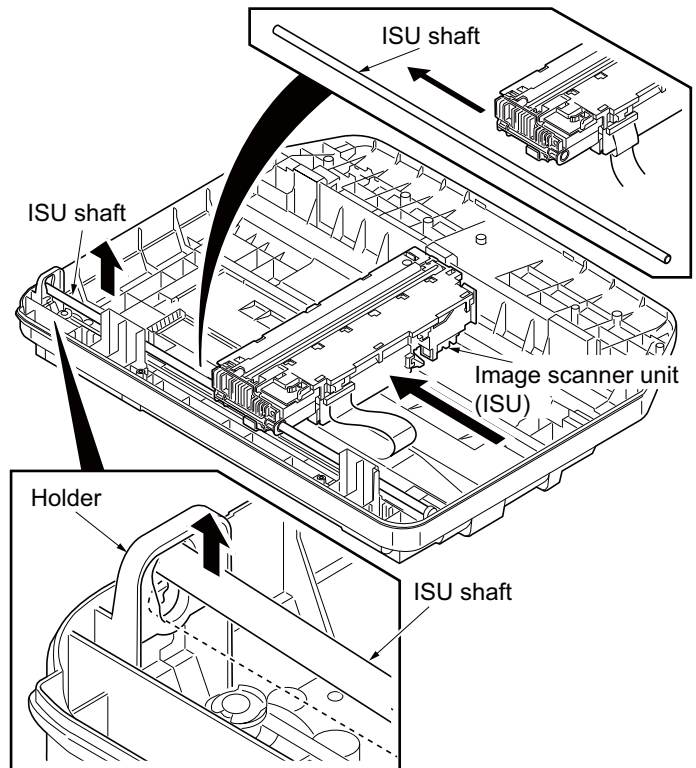


Figure 1-5-30

9. Remove the ISU belt from the tension pulley and ISU gear 63/32.
10. Remove the ISU belt from the hooks of the ISU.

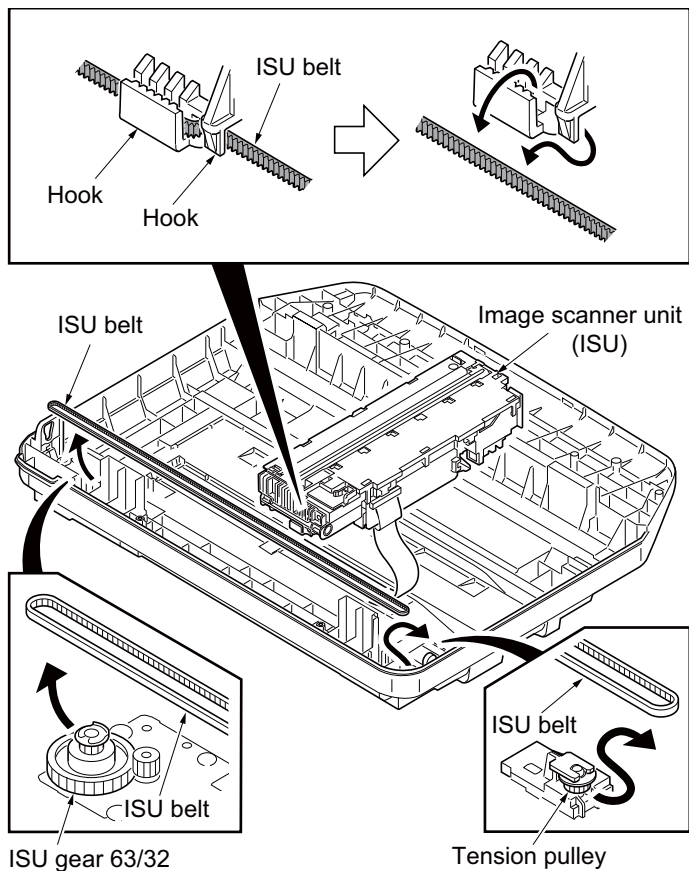


Figure 1-5-31

11. Remove the FFC center stopper.

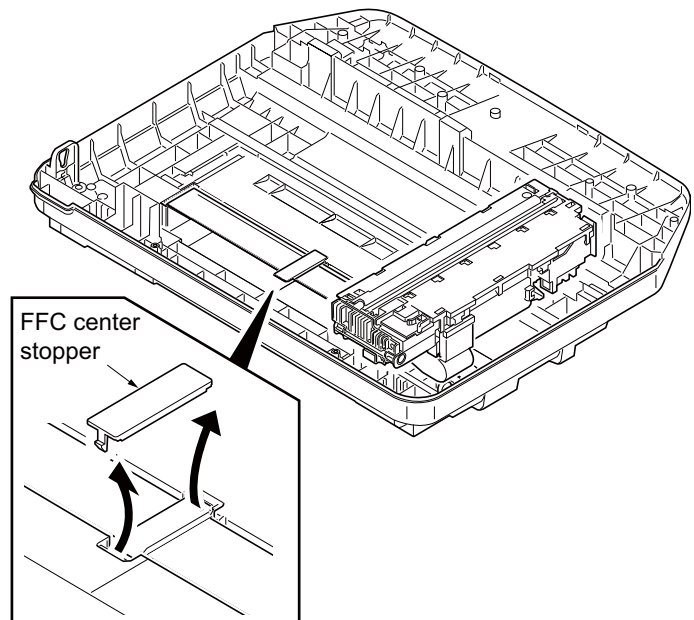


Figure 1-5-32

- 12. Remove the FFC from the FFC tape D.
- 13. Remove the ferrite core from the pit.
- 14. Remove the FFC from the FFC tape A.

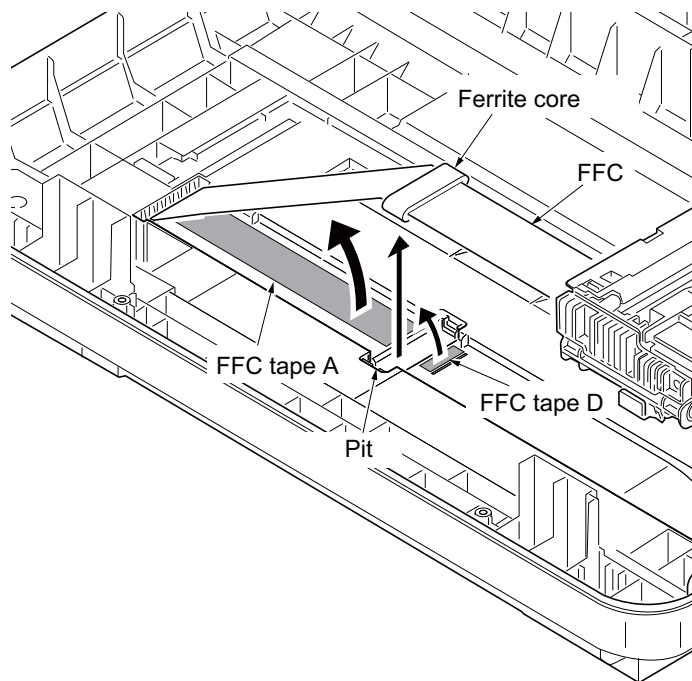


Figure 1-5-33

15. Fold the end of the FFC and then pull the FFC out from the ISU lower frame.
16. Remove the FFC tape D and A from the ISU lower frame.
17. Clean the adhesive residue of the FFC tape D and A.

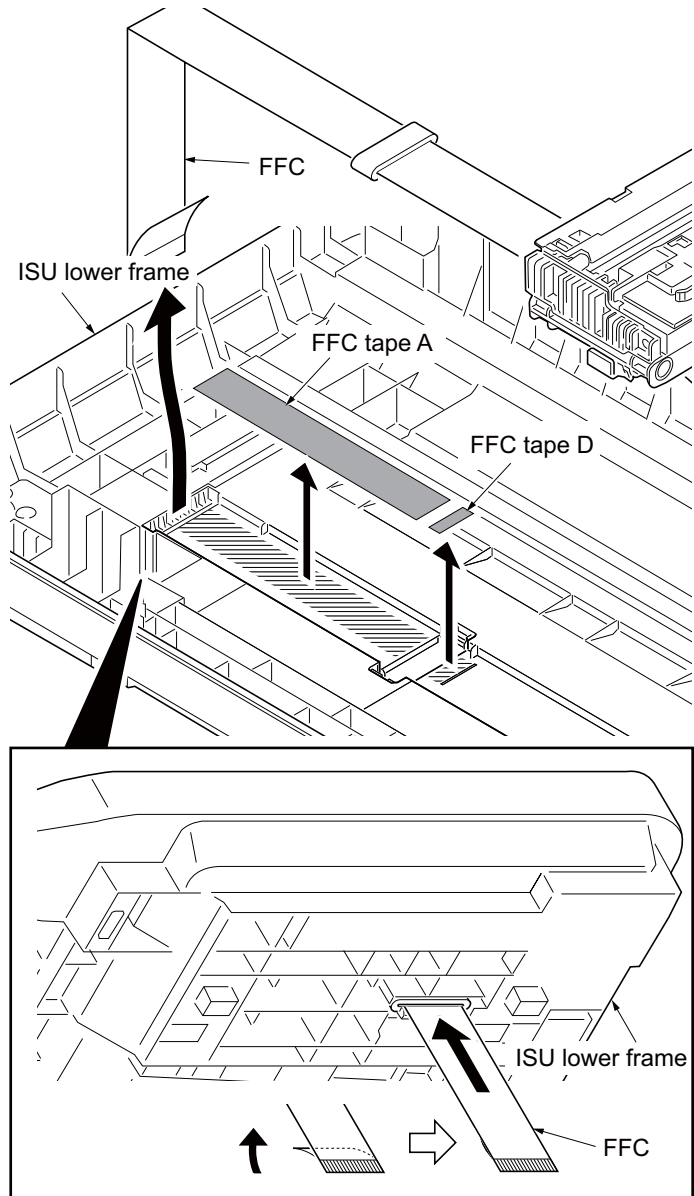


Figure 1-5-34

18. Remove the ferrite core from the FFC.

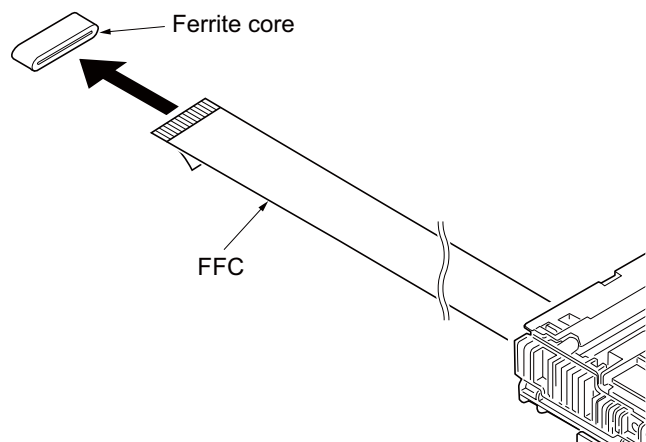


Figure 1-5-35

Installing the image scanner unit (ISU)

19. Peel off the protective seal on one side from the FFC tape D.
20. Stick the FFC tape D on the ISU lower frame, aligned with the marking of the frame.
(Sticking standards: See right figure)
21. Peel off the protective seal on the other side of the FFC tape A.
22. Stick the FFC tape A on the ISU lower frame.
(At the right for how to correctly stick the tape in position, see the figure.)

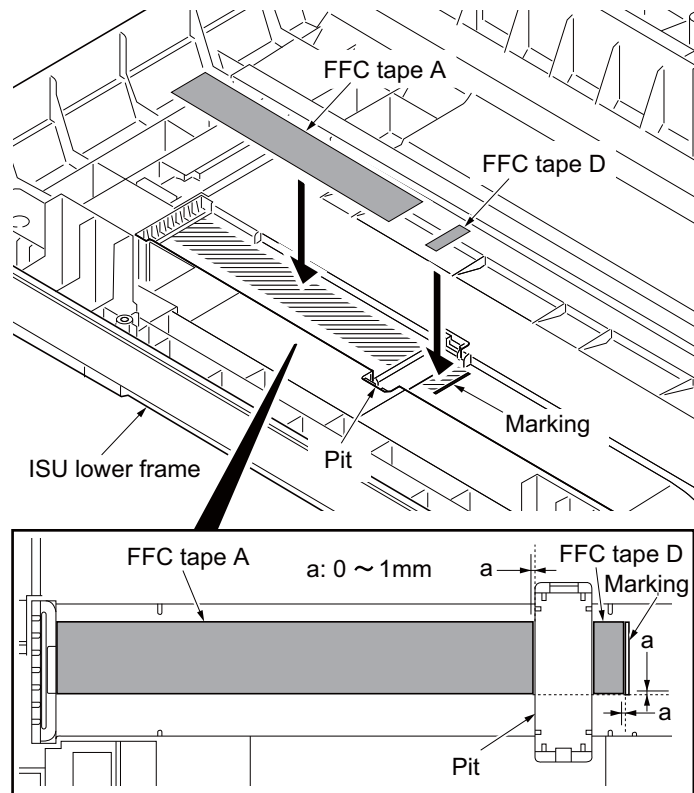


Figure 1-5-36

23. Fix the ferrite core onto the FFC.

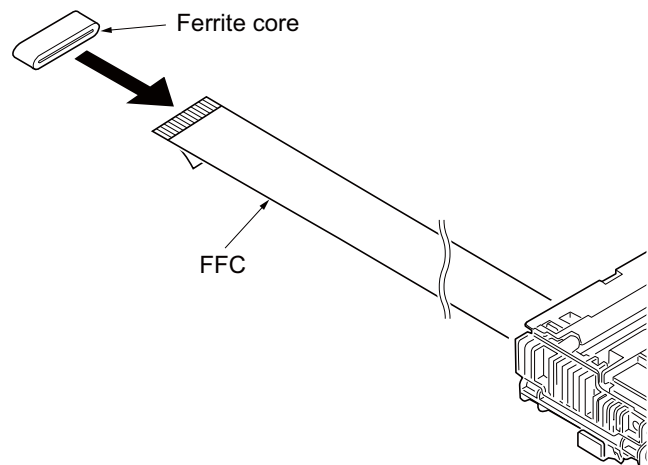


Figure 1-5-37

24. Peel off the protective seal from the FFC tape D.
25. Align the line marking on the FFC with the rib on the ISU lower frame, then fix the FFC to the FFC tape D.
26. Install the ferrite core in the pit.
27. Peel off the released paper from the FFC tape A.
28. Stick the FFC on the FFC tape A.

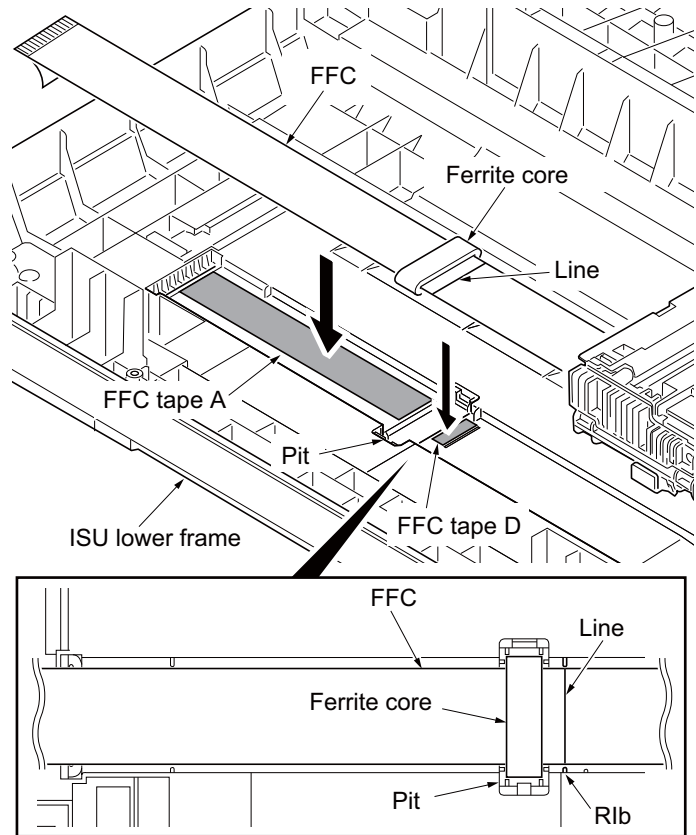


Figure 1-5-38

29. Thread an end of the FFC through the ISU lower frame.
30. Refer to the step 11 to 1 and refit all the removed parts.

NOTE:

When the replacing the image scanner unit (ISU), perform following maintenance modes.

1. U425 Setting the target (see page 1-3-20)
2. U411 Adjusting the scanner automatically (see page 1-3-18)

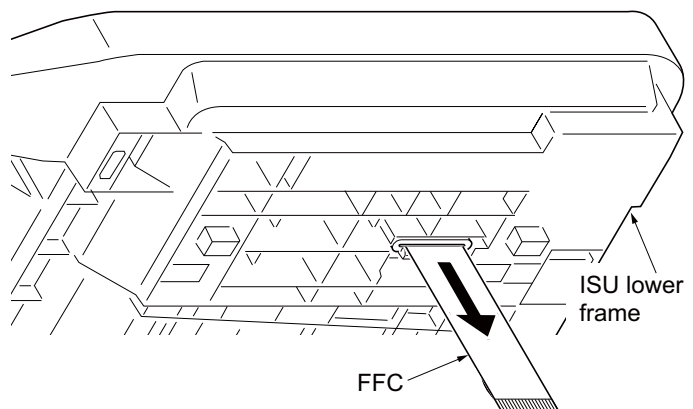


Figure 1-5-39

1-5-5 Developing section

(1) Detaching and refitting the developing unit

Procedure

1. Open the front cover.
2. Remove the developing unit.
3. Check or replace the developing unit and refit all the removed parts.

NOTE:

When the periodic maintenance (replacing the maintenance kit, see page 2-4-4), perform maintenance mode.:

U251 Clearing the maintenance count (see page 1-3-14)

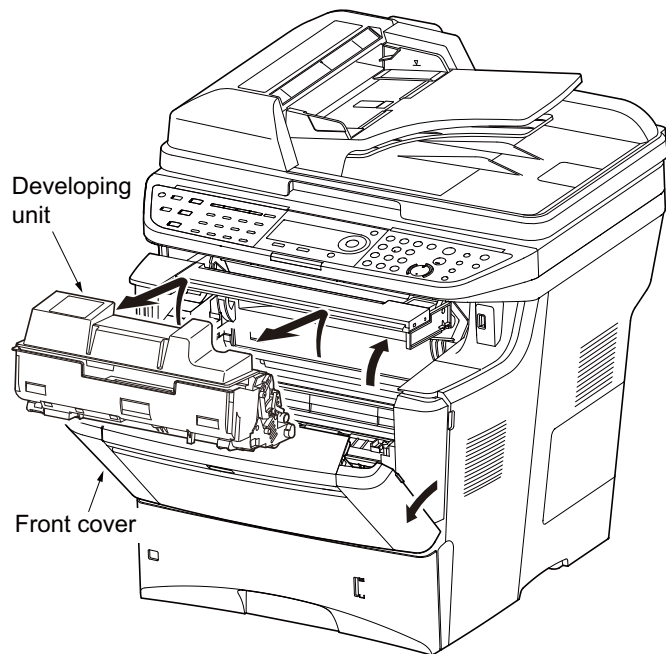


Figure 1-5-40

1-5-6 Drum section

(1) Detaching and refitting the drum unit

Procedure

1. Remove the developing unit.
(See page 1-5-25)
2. Open the left side cover and then remove the waste toner box.
3. Remove the drum stopper.
4. Unlock the drum unit lock and then remove the drum unit.
5. Check or replace the drum unit and refit all the removed parts.

NOTE:

When the periodic maintenance (replacing the maintenance kit, see page 2-4-4), perform maintenance mode.:
U251 Clearing the maintenance count (see page 1-3-14)

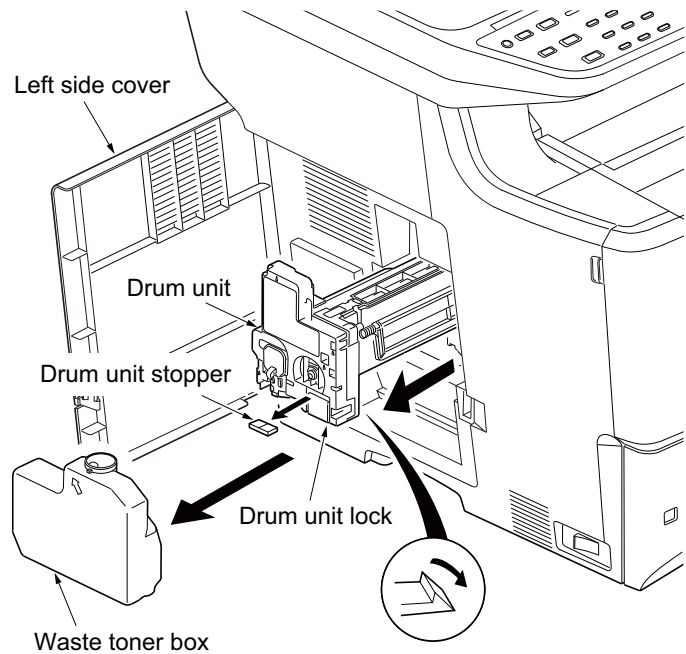


Figure 1-5-41

(2) Detaching and refitting the main charger unit

Procedure

1. Remove the drum unit.
(See page 1-5-26)
2. Unlock the lock lever and then remove the main charger unit.
3. Check or replace the main charger unit and refit all the removed parts.

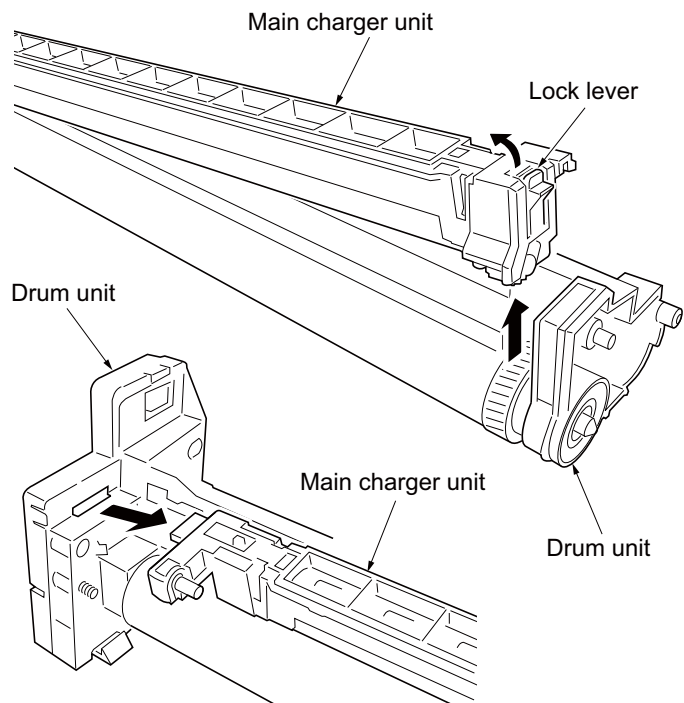


Figure 1-5-42

1-5-7 Transfer/separation section

(1) Detaching and refitting the transfer roller and separation brush unit

Procedure

1. Remove the developing unit.
(See page 1-5-25)
2. Remove the drum unit.
(See page 1-5-26)
3. Slide the paper chute guide and unhook the hooks.
4. Remove the paper chute guide.

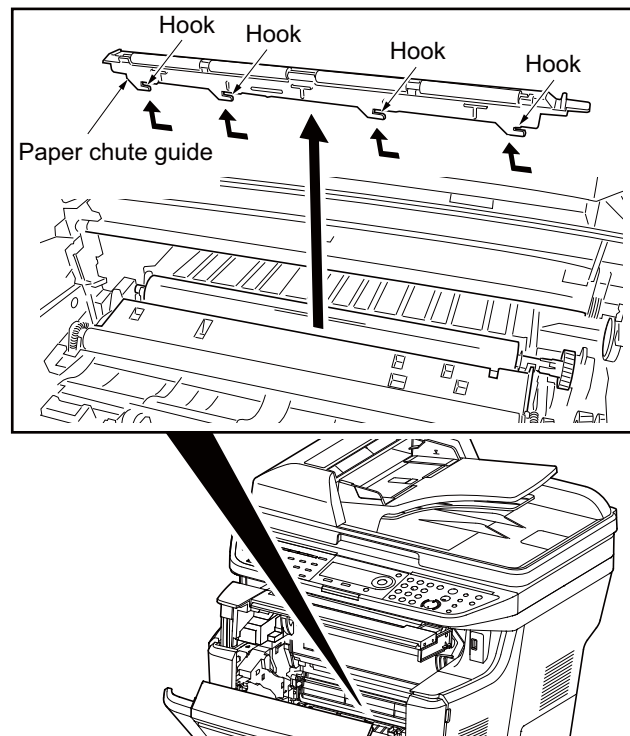


Figure 1-5-43

5. Remove the transfer roller's shaft from the both bushes.

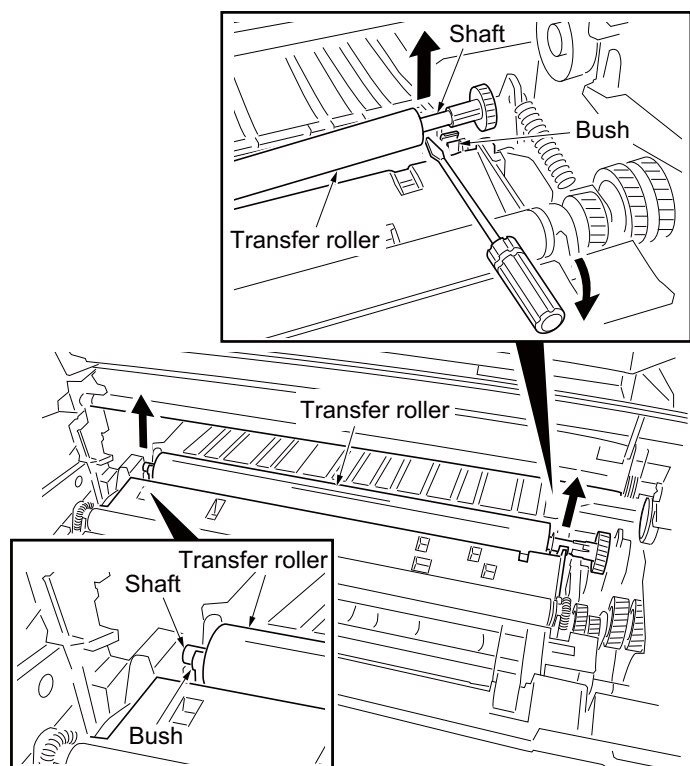


Figure 1-5-44

6. Release four hooks and then remove the separation brush unit.
7. Check or replace the transfer roller and separation brush unit and refit all the removed parts.

CAUTION: Note the following, when refitting the transfer roller and separation brush unit.

A: Transfer roller

To avoid damaging the bush, place the transfer roller so that its gear does not hit the U-shaped bush.

B: Separation brush unit

While inserting the separation holder in place, align the ends of the holder with the guides until they click in.

(a) The separation brush unit is inserted into the two projections of the frame and does not run on to the projections.

(b) The separation brush unit is firmly in contact with the separation plate of the frame.

NOTE:

When the periodic maintenance (replacing the maintenance kit, see page 2-4-4), perform maintenance mode.:

U251 Clearing the maintenance count (see page 1-3-14)

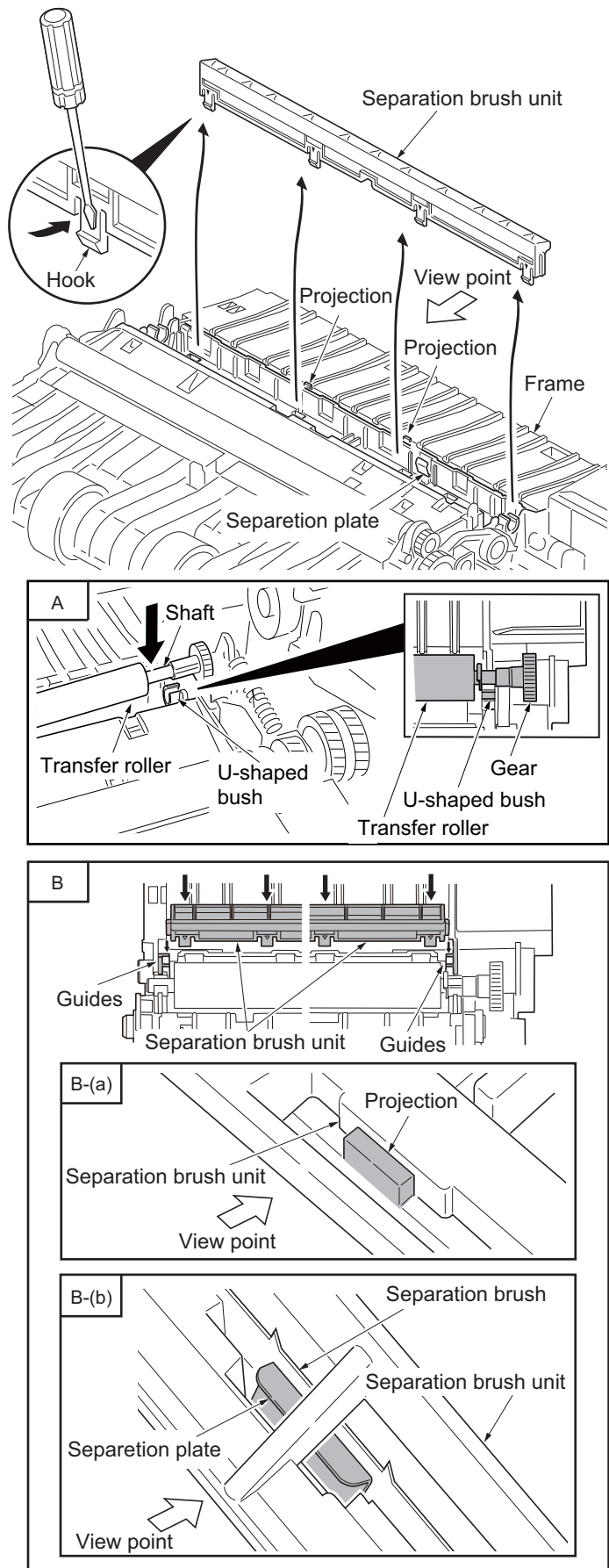


Figure 1-5-45

1-5-8 Fuser section

(1) Detaching and refitting the fuser unit

Procedure

1. Draw the rear unit.
2. Insert a flat-blade screwdriver to push the fuser lock (gray colored) on the rear unit and the fuser unit is separated from the rear unit (rails).
Do it both ends of the rear unit.
3. Check or replace the fuser unit and refit all the removed parts.
Place the fuser unit on the rear unit (rails) and push the fuser lock so that the fuser lock catches the fuser unit.
Do it for the both ends of the fuser unit.

NOTE:

When the periodic maintenance (replacing the maintenance kit, see page 2-4-4), perform maintenance mode.:

U251 Clearing the maintenance count (see page 1-3-14)

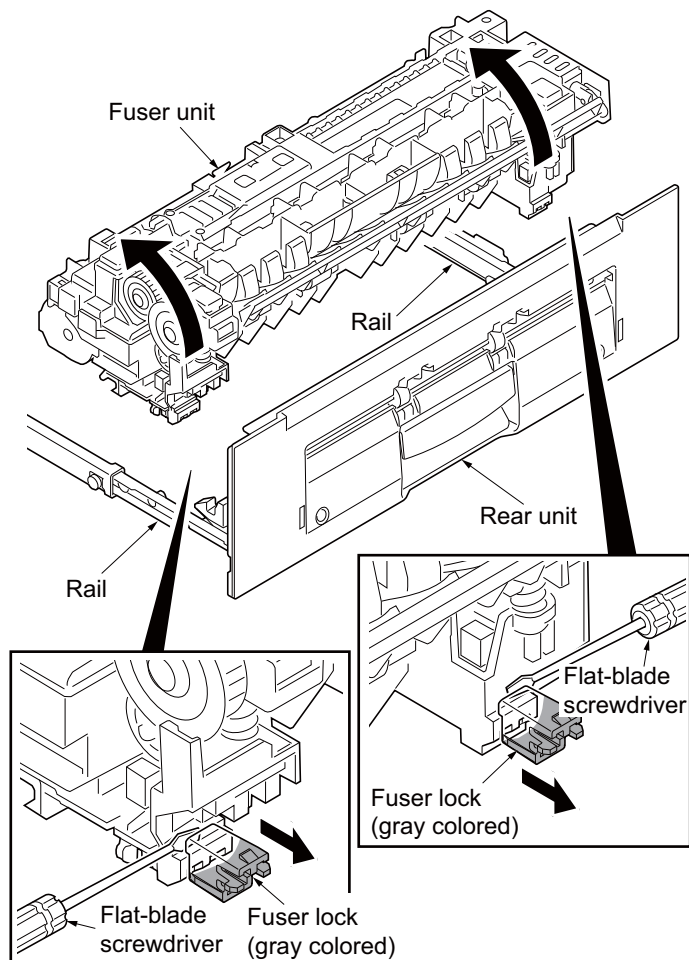


Figure 1-5-46

1-5-9 PWBs

(1) Detaching and refitting the engine PWB

Procedure

1. Remove the developing unit.
(See page 1-5-25)
2. Remove the drum unit.
(See page 1-5-26)
3. Remove the right cover and left cover.(See page 1-5-3)
4. Remove the PSU fan motor.
(See page 1-5-37)
5. Stand the main body front side up.
6. Remove five screws and then remove the bottom plate1.
7. Remove two screws and then remove the bottom plate 2.

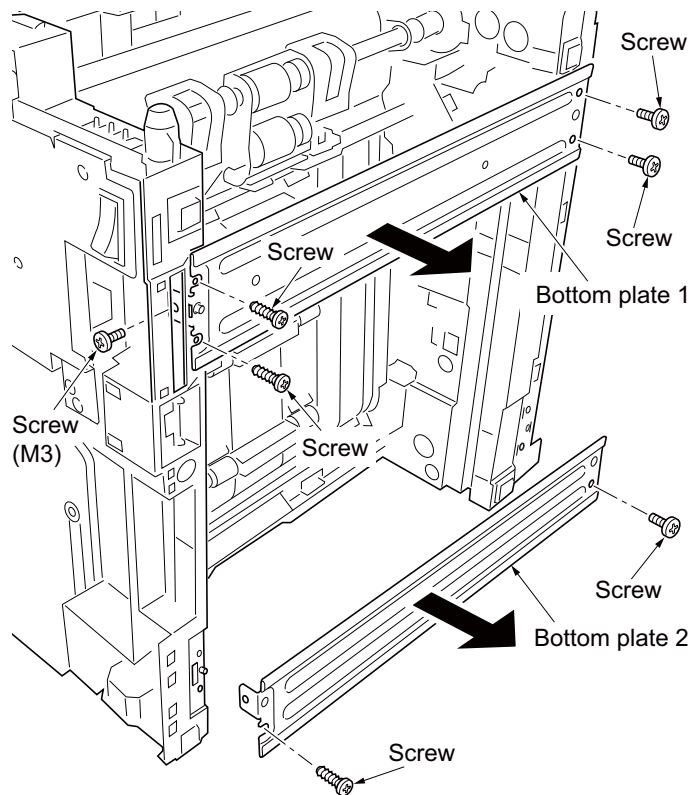


Figure 1-5-47

8. Remove two wires from the hooks and notches.
9. Open the DU guide (duplex cover).

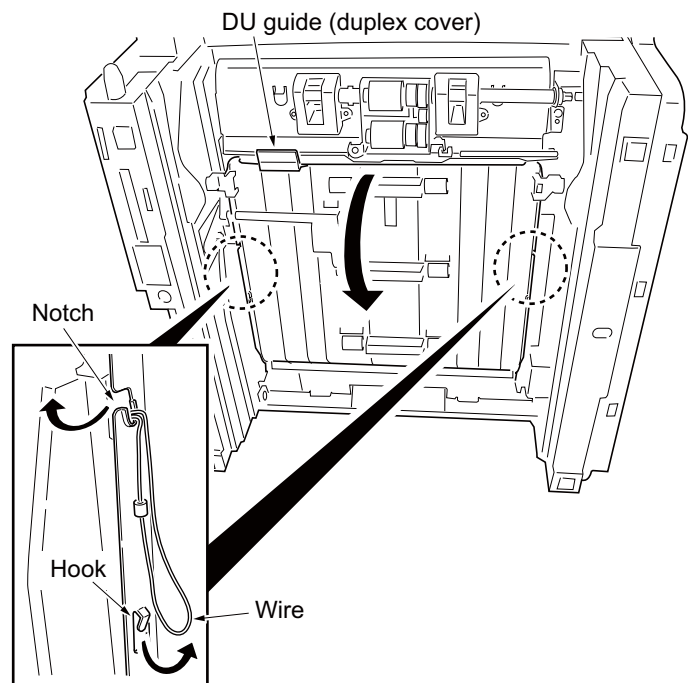


Figure 1-5-48

- 10. Remove the cord cover.
- 11. Remove the connector.
- 12. Detach the joint.
- 13. Remove the six screws and then remove the DU base.

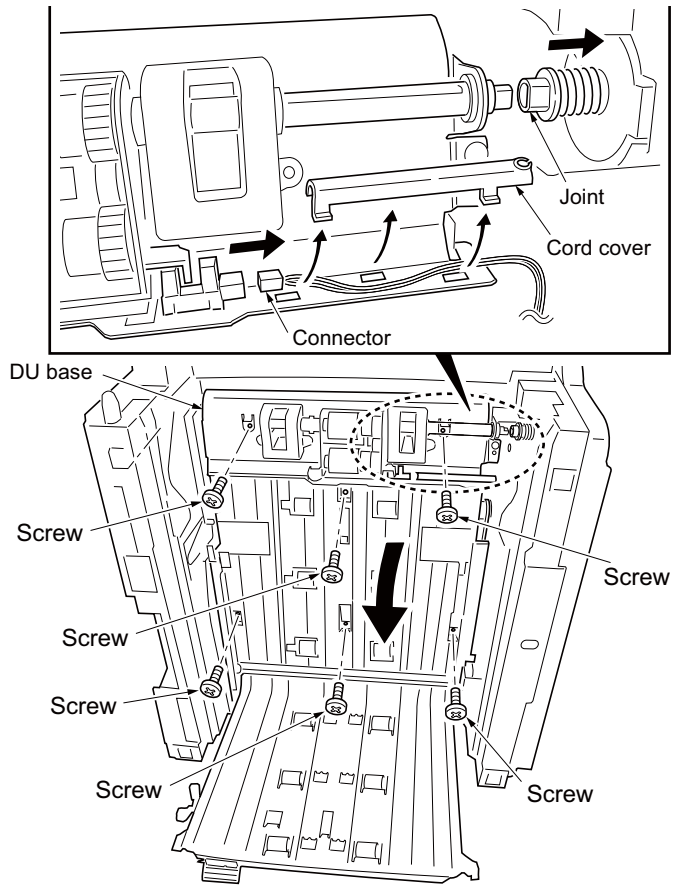


Figure 1-5-49

- 14. Release four snaps.
- 15. Remove one tab.
- 16. Remove five connectors.

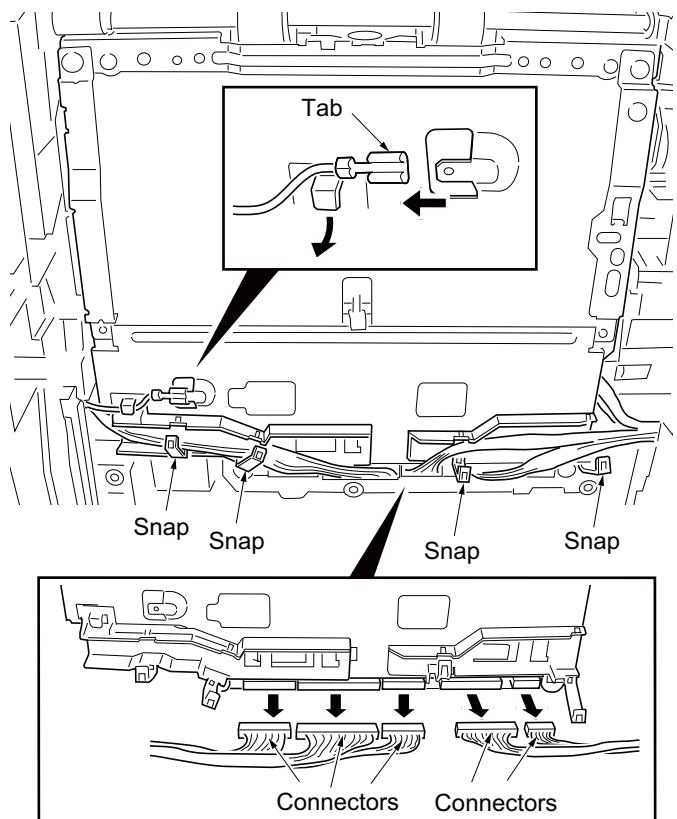


Figure 1-5-50

17. Remove four screws.

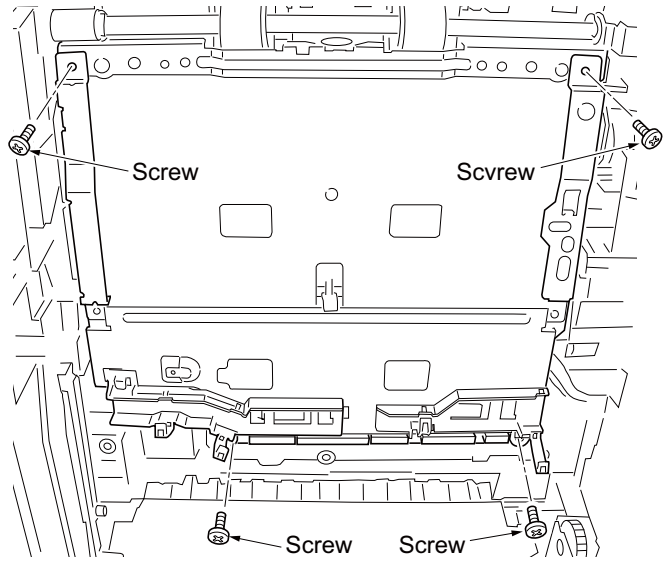


Figure 1-5-51

- 18. Detach the engine PWB assembly.
- 19. Remove four connectors.
- 20. Remove the engine PWB assembly.

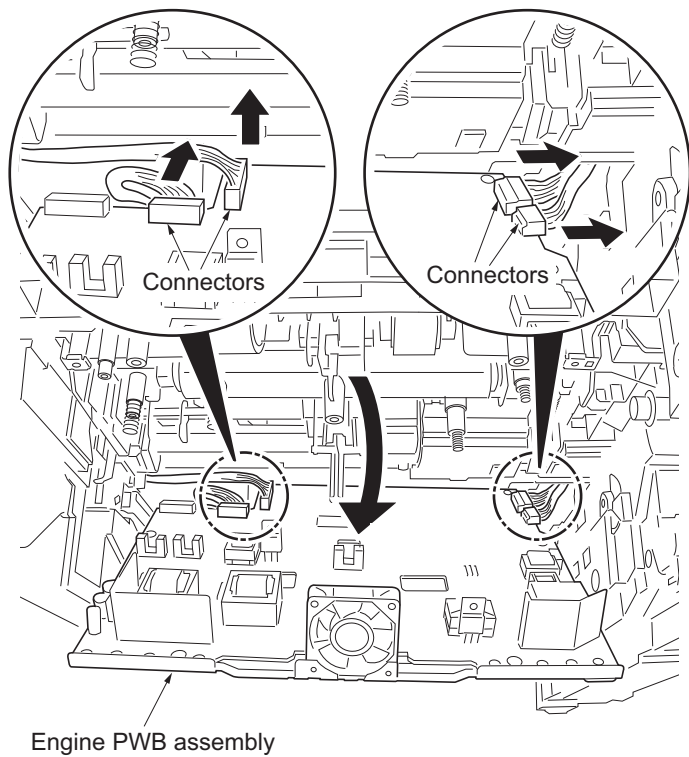


Figure 1-5-52

(2) Detaching and refitting the main PWB

Procedure

1. Remove the right cover.
(See page 1-5-3)
2. Remove thirteen connectors from the connect-R PWB.
3. Remove the one screw and then remove the connect-R PWB.
4. Release two clamps and then remove the wires.

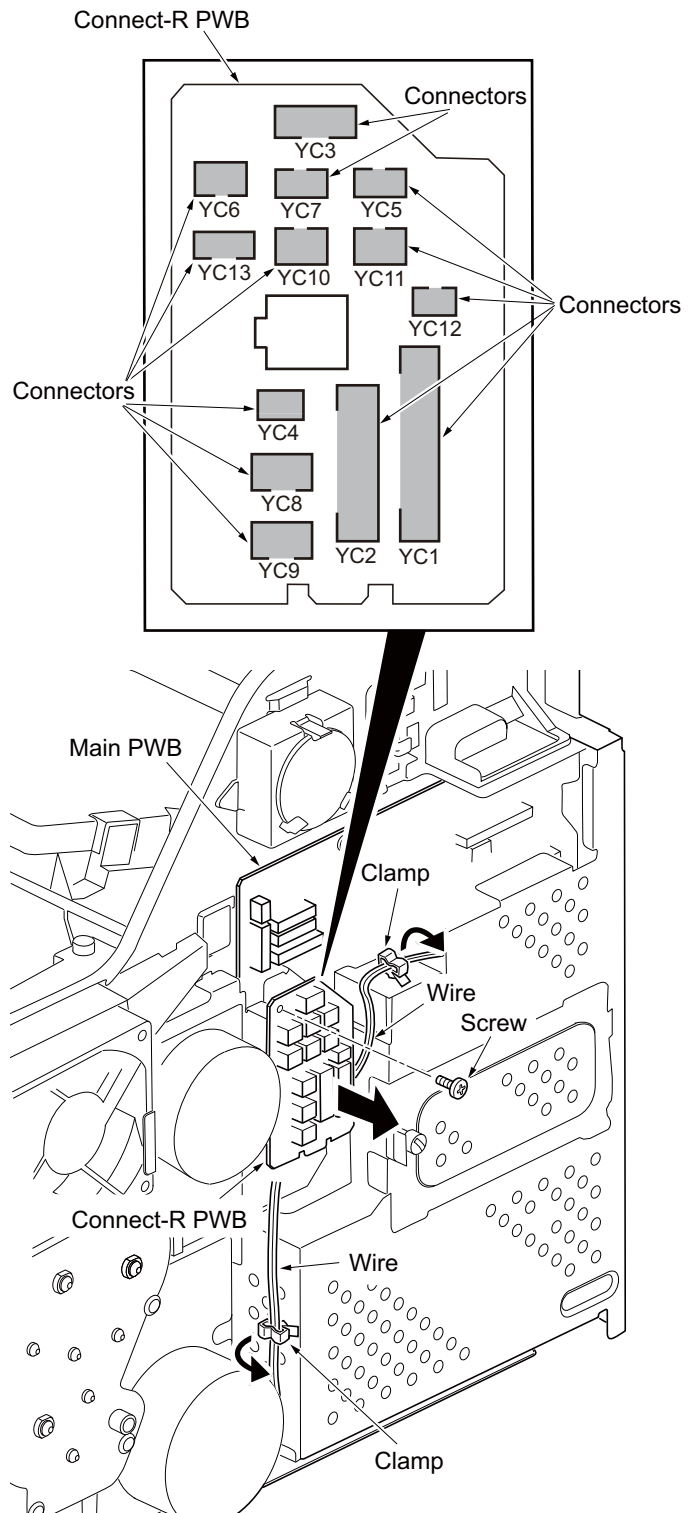
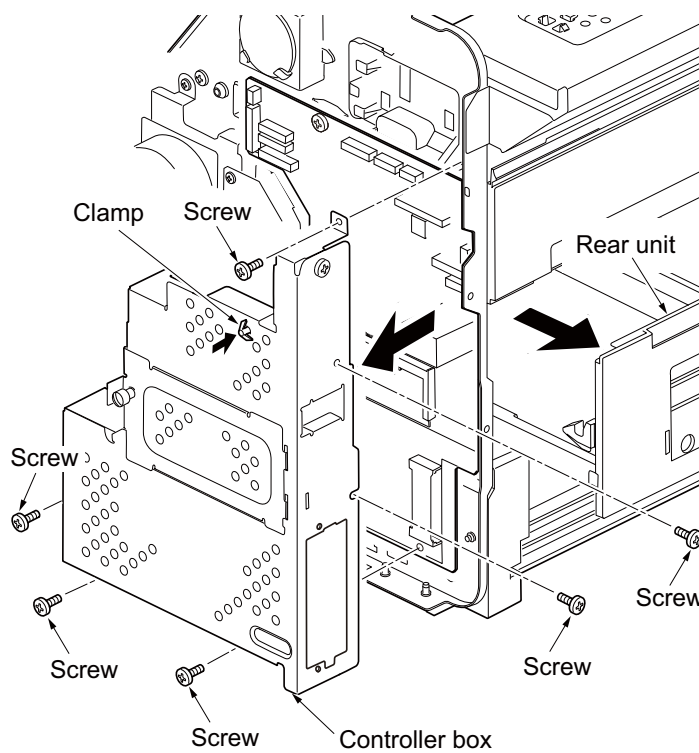


Figure 1-5-54

5. Remove two screws and then remove the FAX control PWB.
(See page 1-5-42)
6. Draw the rear unit.
7. Remove six screws.
8. Remove the clamp and then remove the controller box.

**Figure 1-5-55**

9. Remove the following connectors from the main PWB.
 Twelve connectors: 4in1 model (with FAX)
 Eleven connectors: 3in1 model (without FAX)
10. Remove four screws and then remove the main PWB.
11. Check or replace the main PWB and refit all the removed parts.

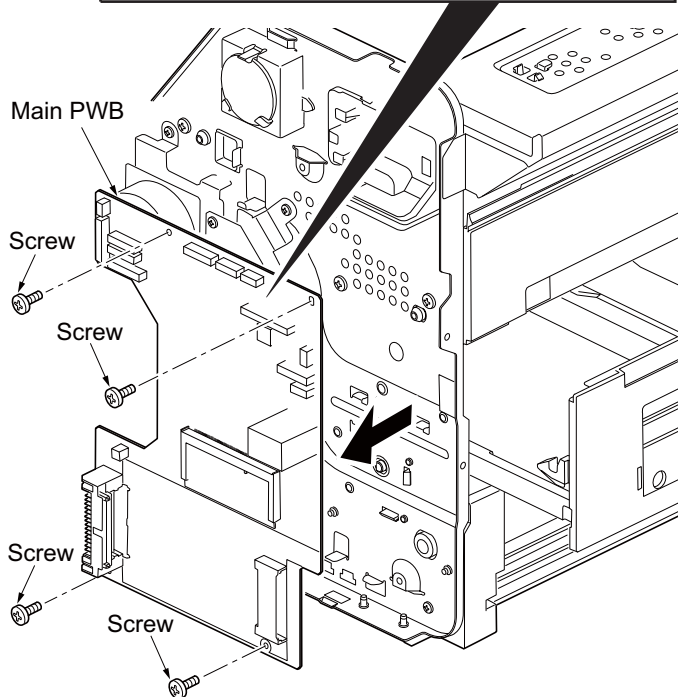
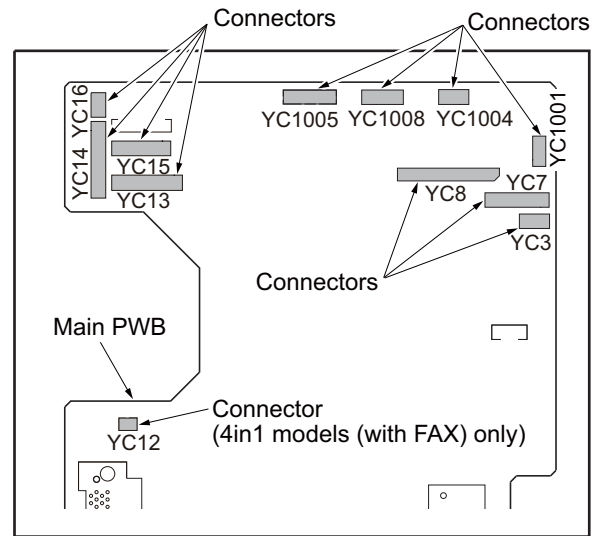


Figure 1-5-56

(3) Detaching and refitting the power source PWB

Procedure

1. Remove the right cover and left cover.
(See page 1-5-3)
2. Remove the drum unit.
(See page 1-5-26)
3. Remove three connectors from the relay PWB.
4. Release three clamps and then remove the wires.

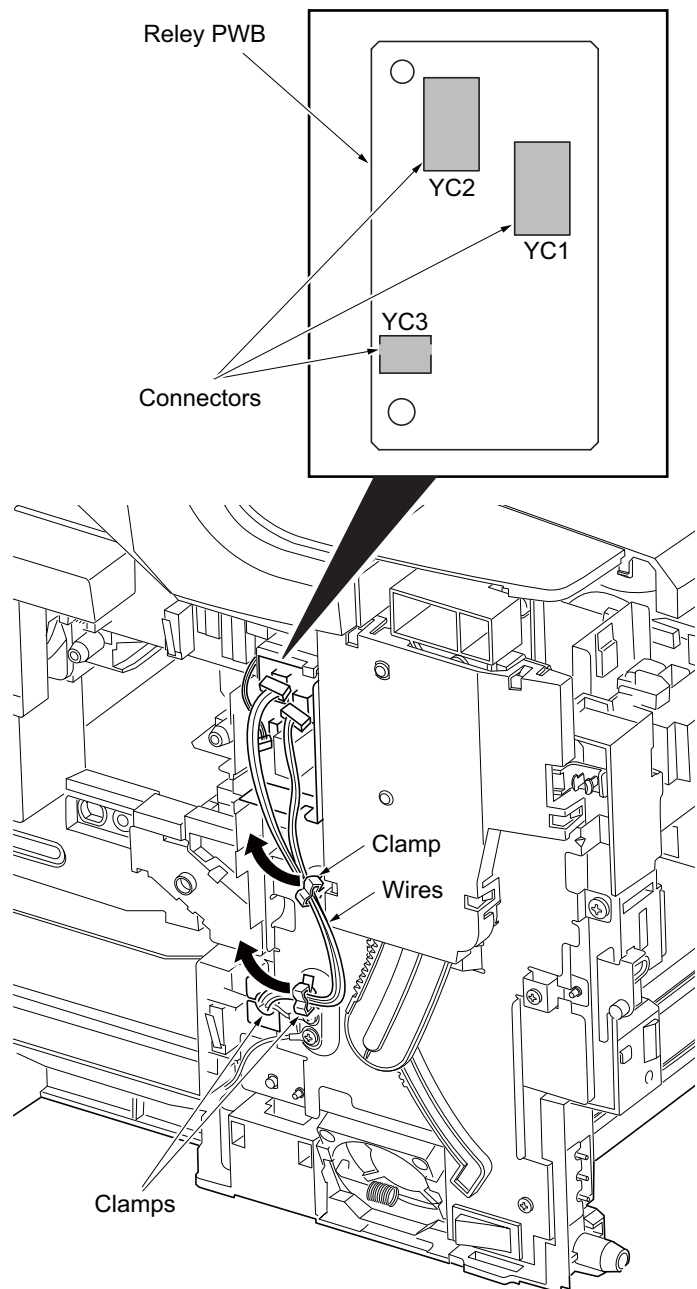


Figure 1-5-57

5. Unhook five hooks and then remove the rack cover.
6. Remove the one screw and then remove upper cover rack.
7. Remove the gear and front cover rack each.
8. Unhook two hooks and then remove the gear holder by pulling upwards.

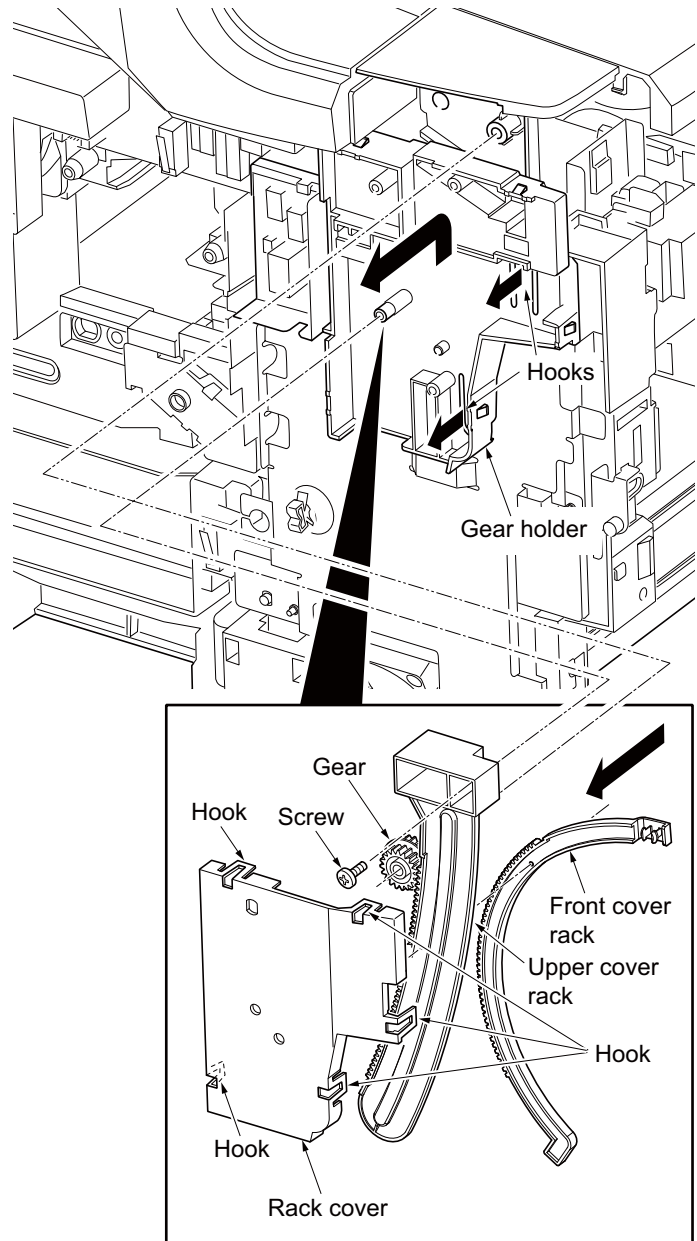


Figure 1-5-58

9. Remove one connector (YC11) from the connect-L PWB.
10. Remove the wire from the drum grounding plate and clamp.
11. Release two hooks and then remove the power source fan motor.

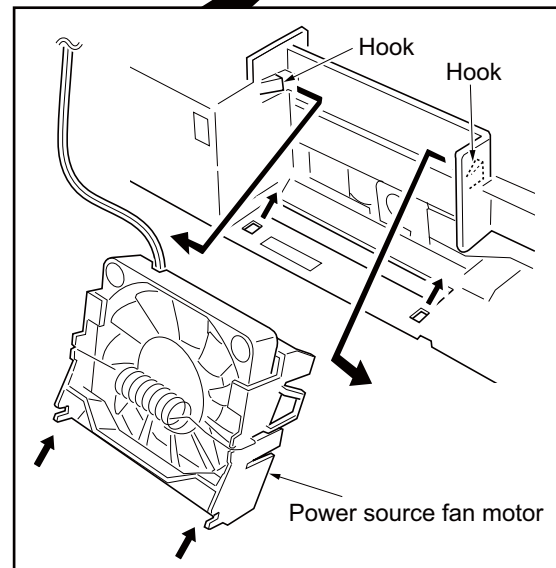
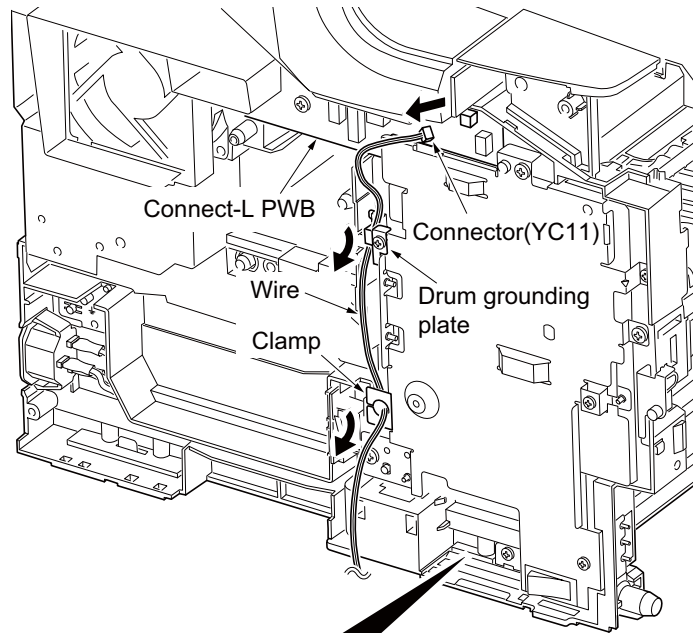


Figure 1-5-59

12. Remove seven screws-A and drum grounding plate and two grounding terminals.
13. Remove the AC inlet.

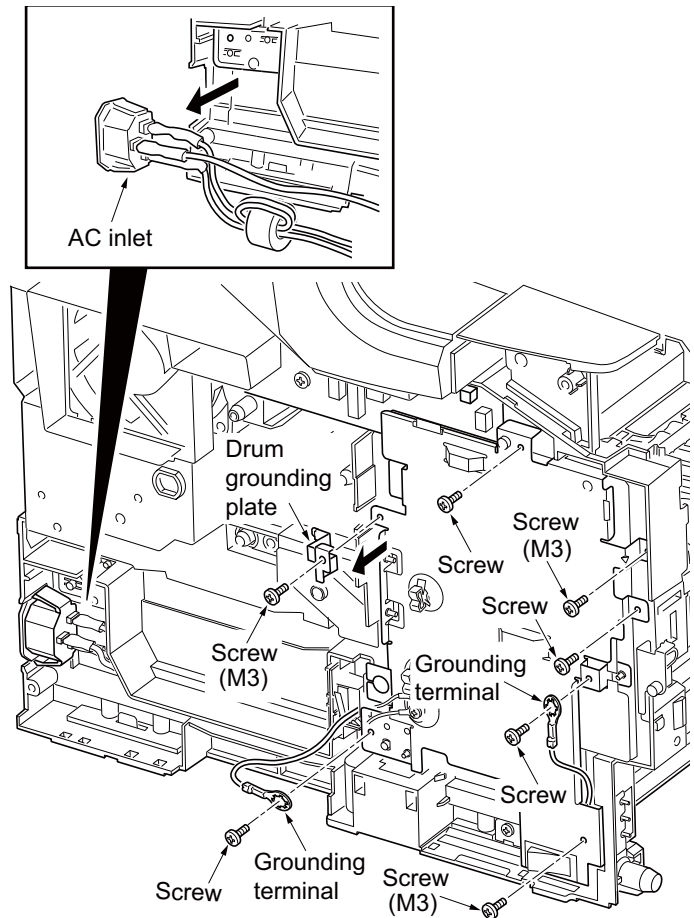


Figure 1-5-60

14. Remove two screws and two grounding terminals.
15. Remove one connector.
16. Remove the PWB connector between connect-L PWB and power source unit.
17. Remove the power source unit.

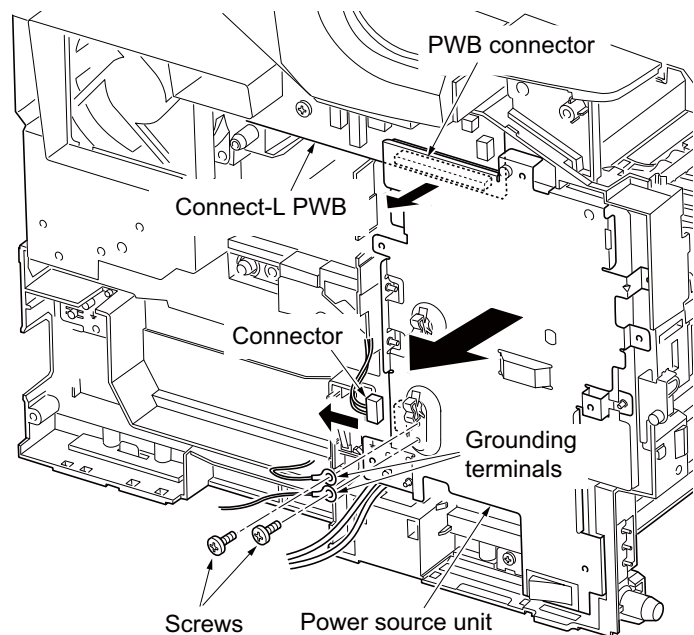


Figure 1-5-61

18. Remove one connector.
19. Remove seven screws and then remove the power source PWB.
20. Check or replace the power source PWB and refit all the removed parts.

Note:

While assembling the rack component, align the guiding holes on either the upper cover rack and the front cover rack with each other.

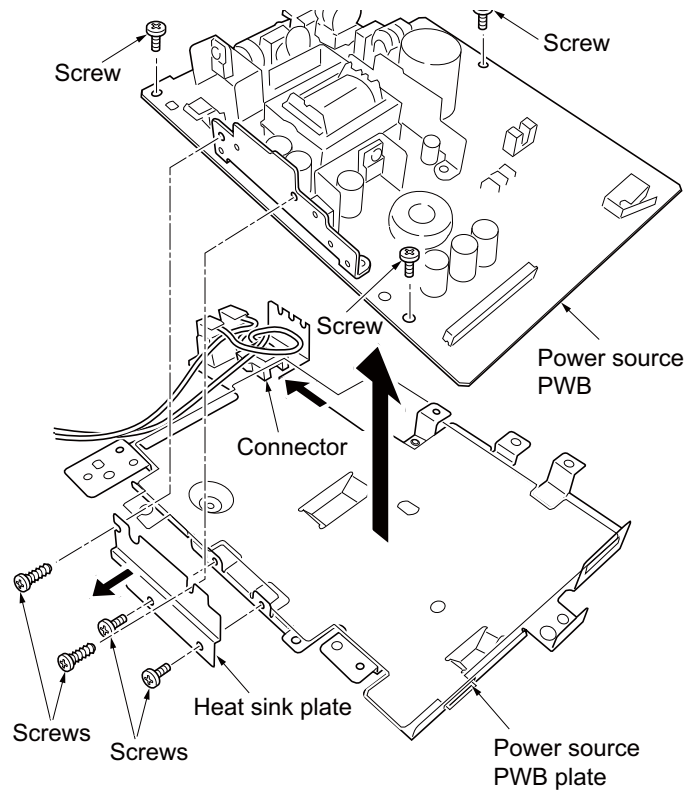


Figure 1-5-62

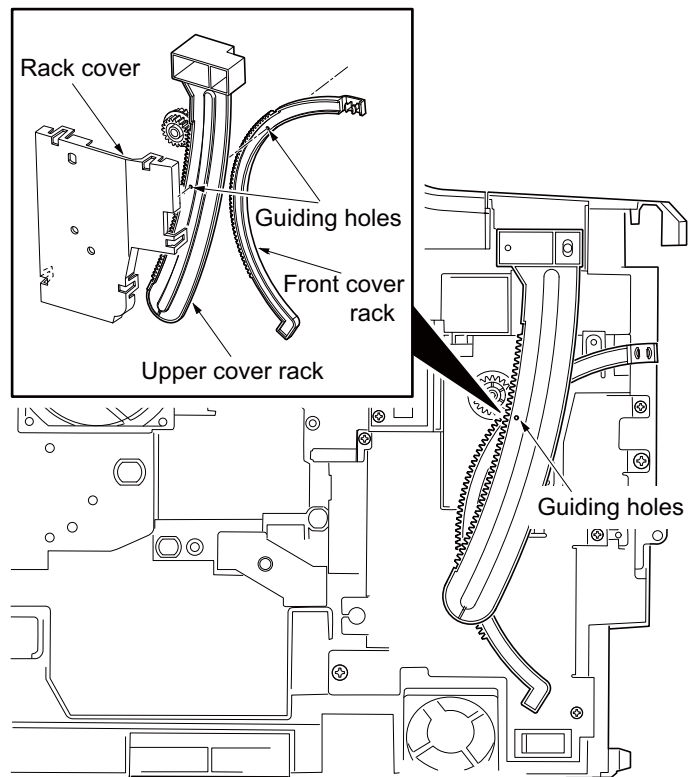


Figure 1-5-63

(4) Detaching and refitting the FAX control PWB

Procedure

1. Remove two screws and then remove the FAX control PWB.
2. Check or replace the FAX control PWB and refit all the removed parts.

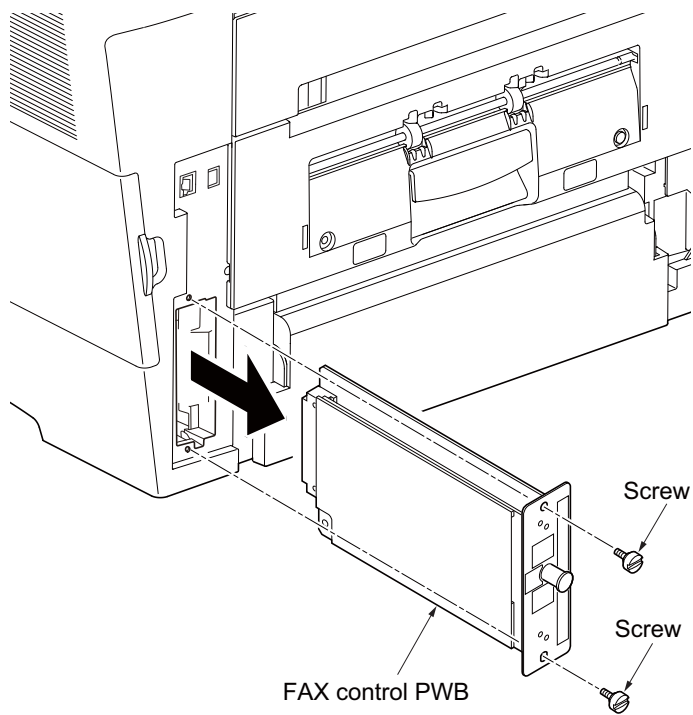


Figure 1-5-64

1-5-10 Others

(1) Detaching and refitting the paper feed drive unit

Procedure

1. Remove the cassette.
(See page 1-5-6)
2. Remove the developing unit.
(See page 1-5-25)
3. Remove the right cover.
(See page 1-5-3)
4. Remove five connectors from the connect-R PWB.
5. While opening the one hook and then remove the wire.
6. While opening three hooks and then remove the right fan motor.

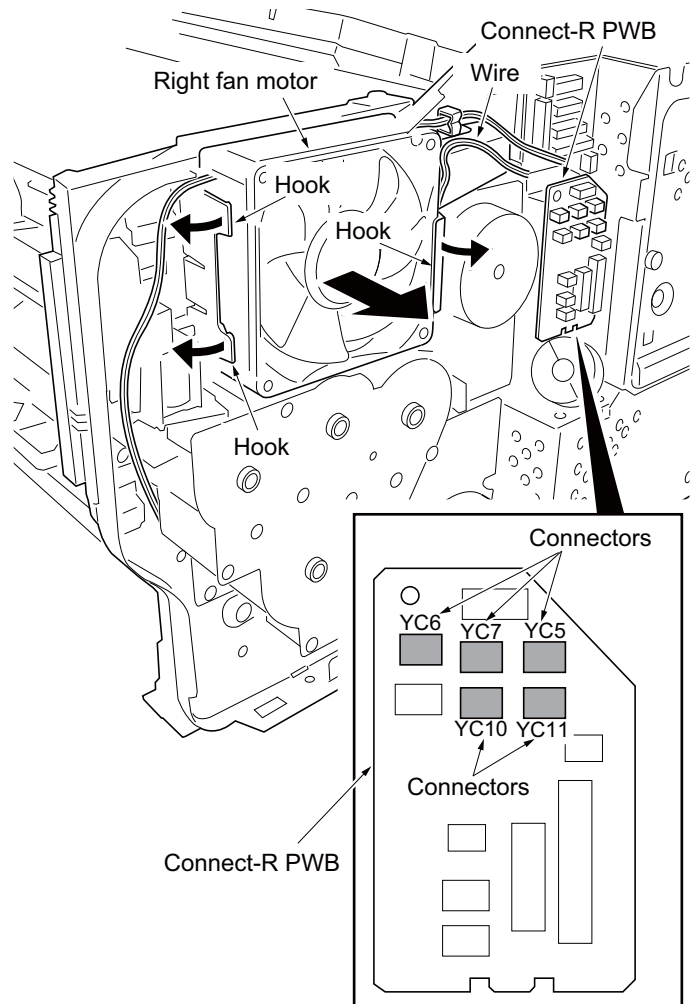


Figure 1-5-65

7. Remove two hooks and then remove the duct.
8. Remove wire from the clamp.

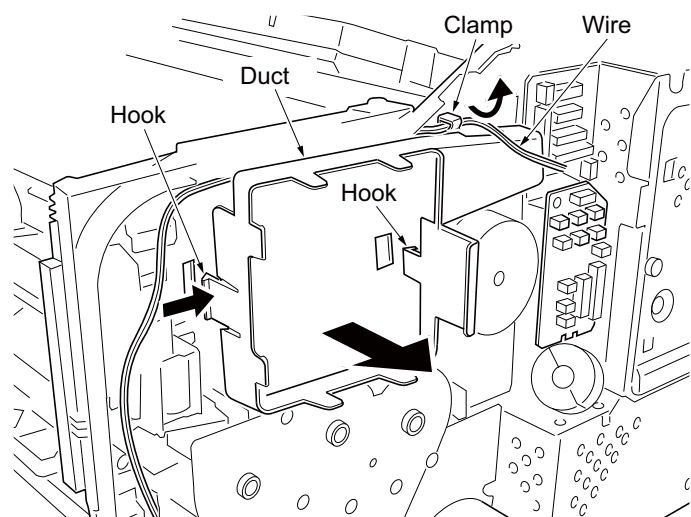
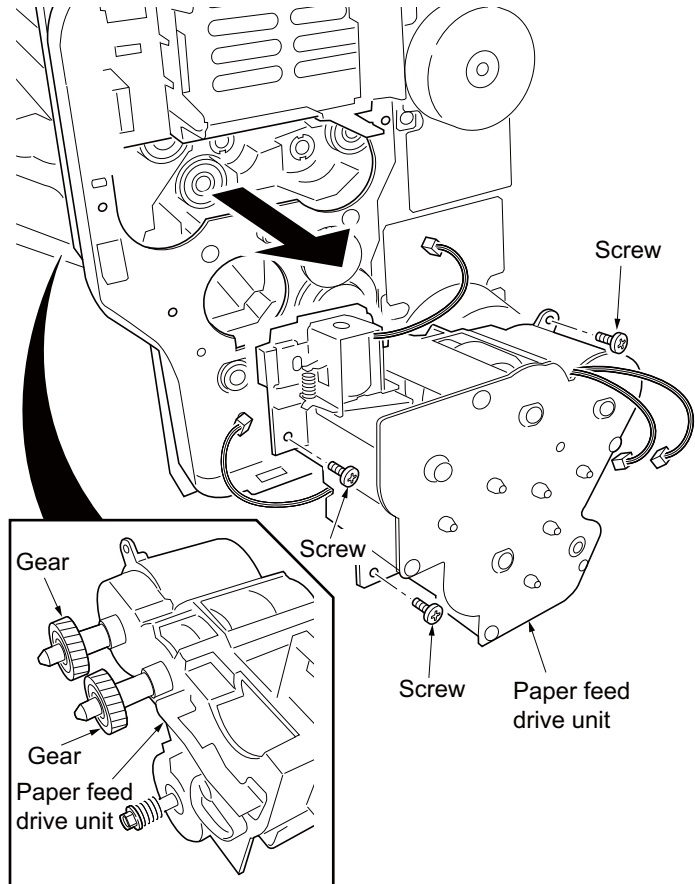


Figure 1-5-66

9. Remove three screws and then remove the paper feed drive unit.
10. Check or replace the paper feed drive unit and refit all the removed parts.
To refit the paper feed drive unit, make sure mesh of gears.

**Figure 1-5-67**

(2) Detaching and refitting the main drive unit

Procedure

1. Remove the right cover.
(See page 1-5-3)
2. Remove the controller box.
(See page 1-5-34)
3. Remove two connectors.
4. Remove five screws and then remove the main drive unit.
5. Check or replace the main drive unit and refit all the removed parts.

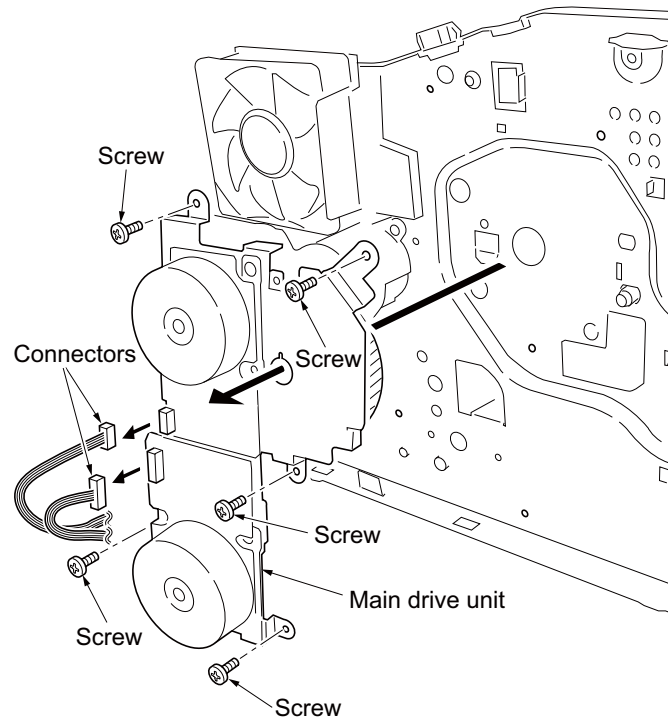


Figure 1-5-68

(3) Direction of installing the principal fan motors

When detaching or refitting the left fan motor or right fan motor, be careful of the airflow direction (intake or exhaust).

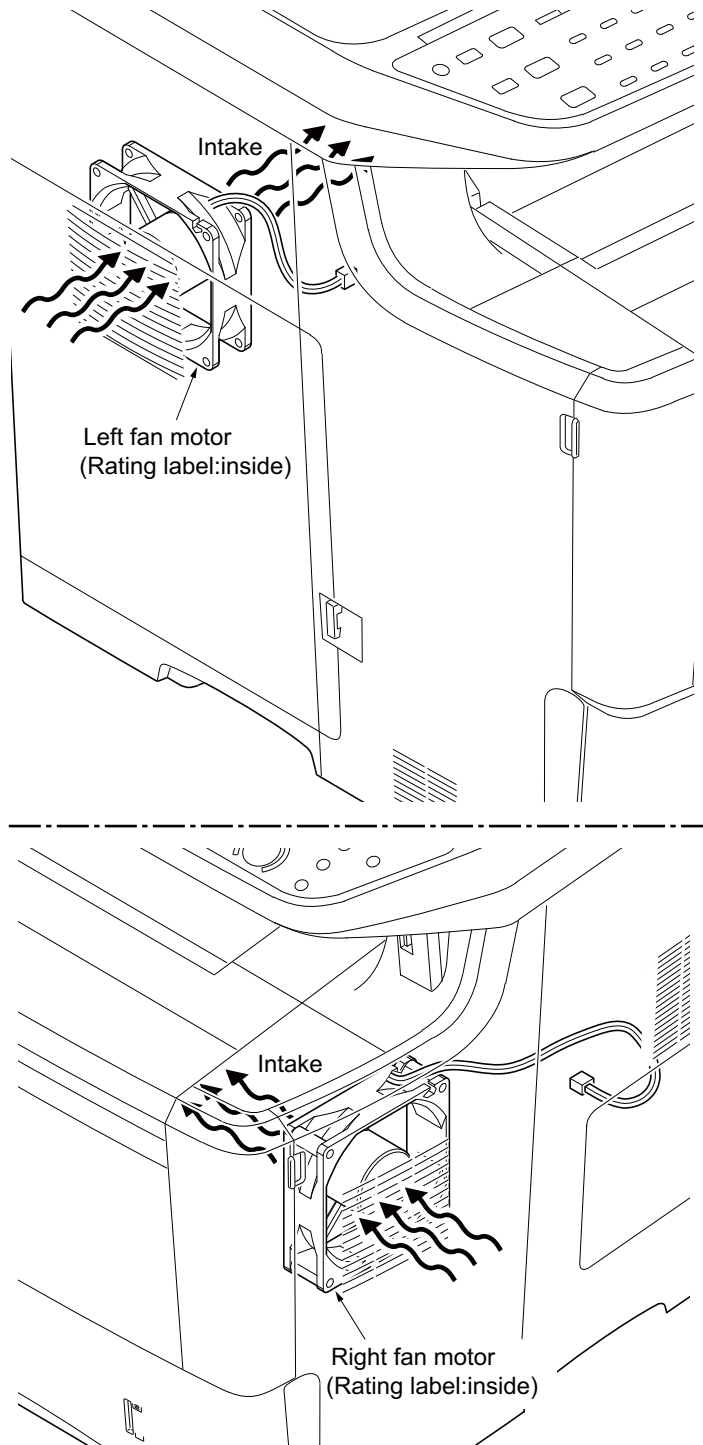


Figure 1-5-69

1-5-11 Document processor

(1) Detaching and refitting the DP rear cover and DP front cover

Procedure

1. Open the DP top cover.
2. Remove two screws.
3. Unhook the hook and then remove the DP rear cover.

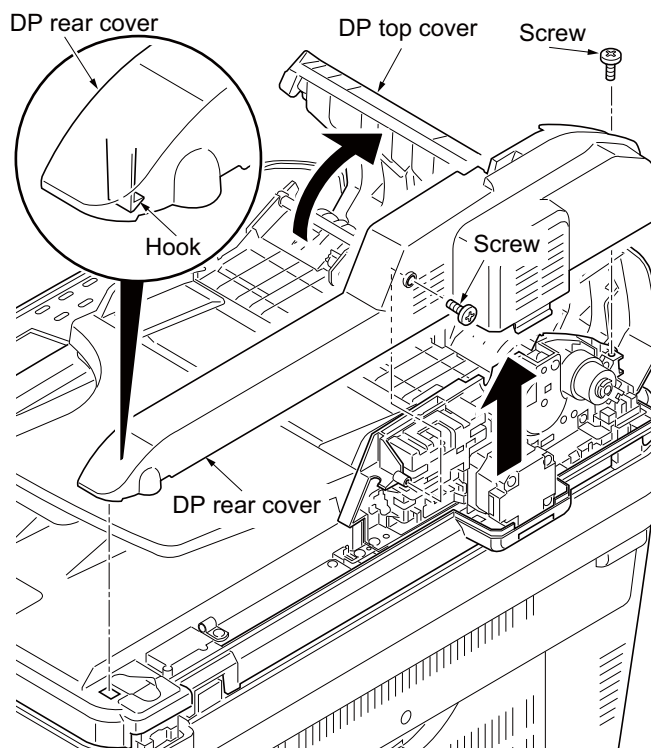


Figure 1-5-70

4. Unhook two hooks and then remove the DP front cover.

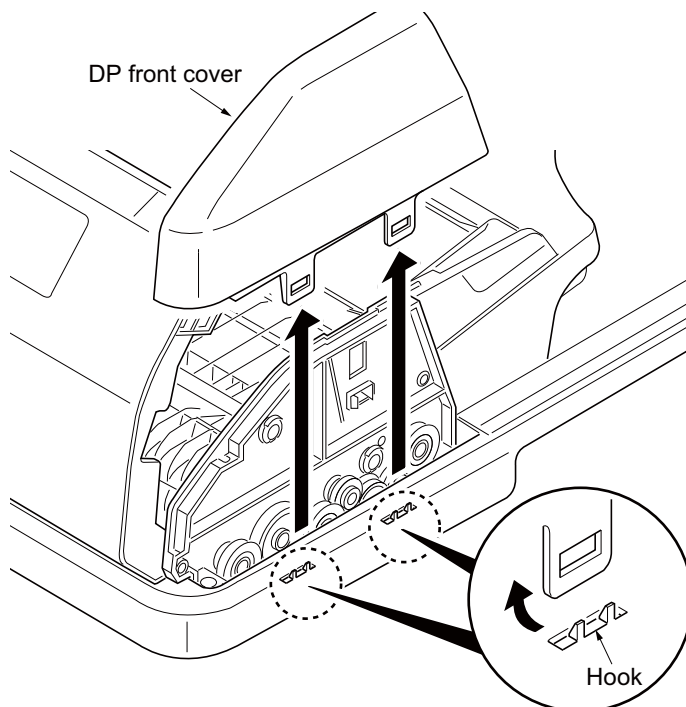


Figure 1-5-71

(2) Detaching and refitting the DP drive PWB

Follow the procedure below to check or replace the DP drive PWB.

Procedure

1. Remove the DP rear cover.
(See page 1-5-47).
2. Remove seven connectors from the DP drive PWB.
3. Remove the screw and then remove the DP drive PWB.
4. Check or replace the DP drive PWB.
Refit all the removed parts.

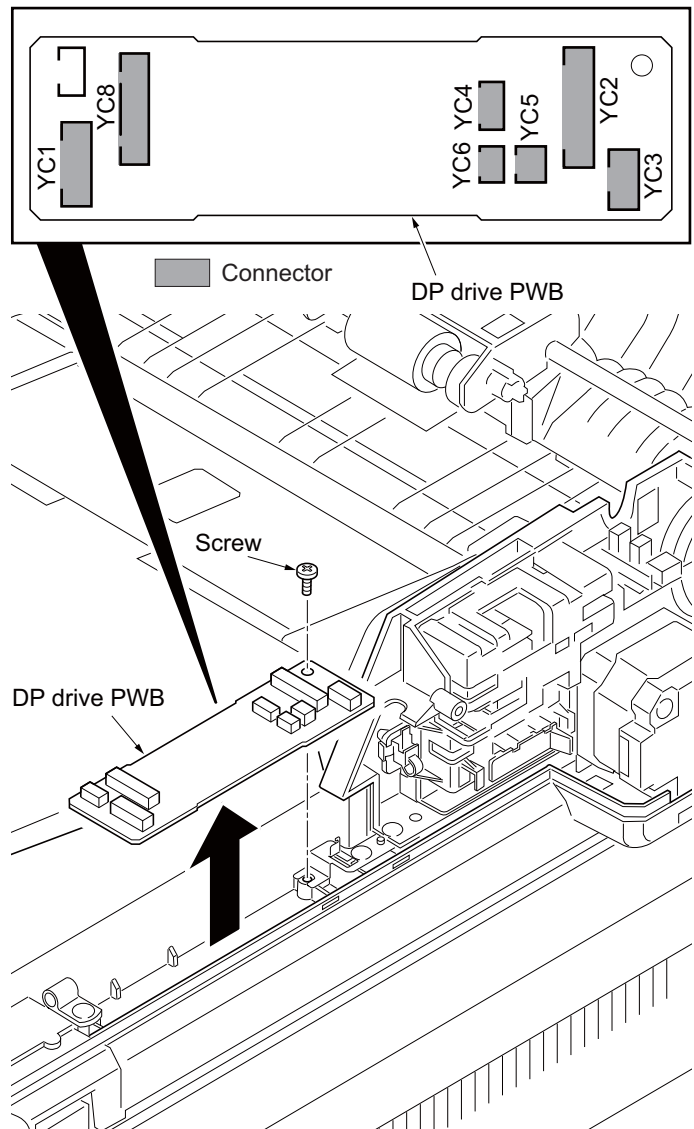


Figure 1-5-72

(3) Detaching and refitting the DP forwarding pulley assembly and DP separation pad assembly.

Procedure

1. Open the DP top cover.
2. Unlatch the lock lever and slide the shaft.

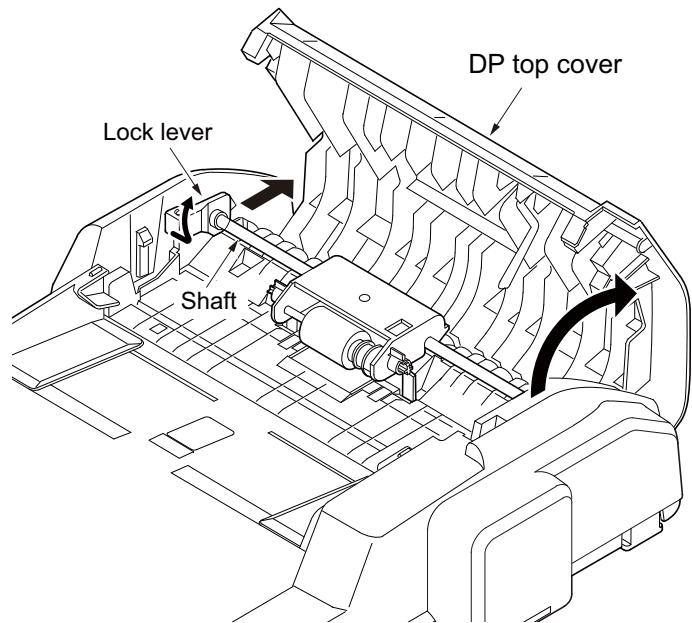


Figure 1-5-73

3. Remove the DP forwarding pulley assembly.

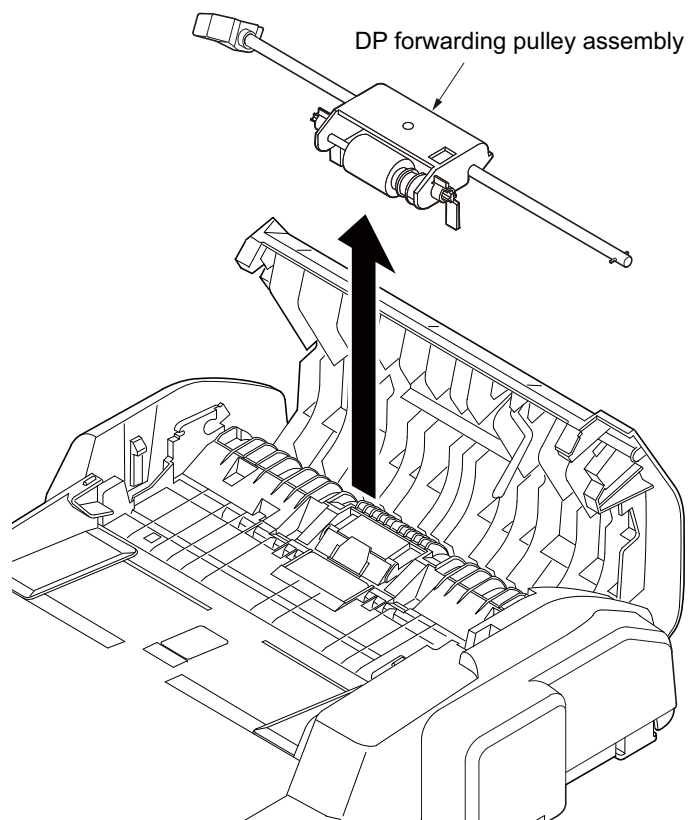


Figure 1-5-74

4. Unhook two hooks and remove the DP separation pad assembly.
 5. Check or replace the DP forwarding pulley assembly and DP separation pad assembly.
- Refit all the removed parts.

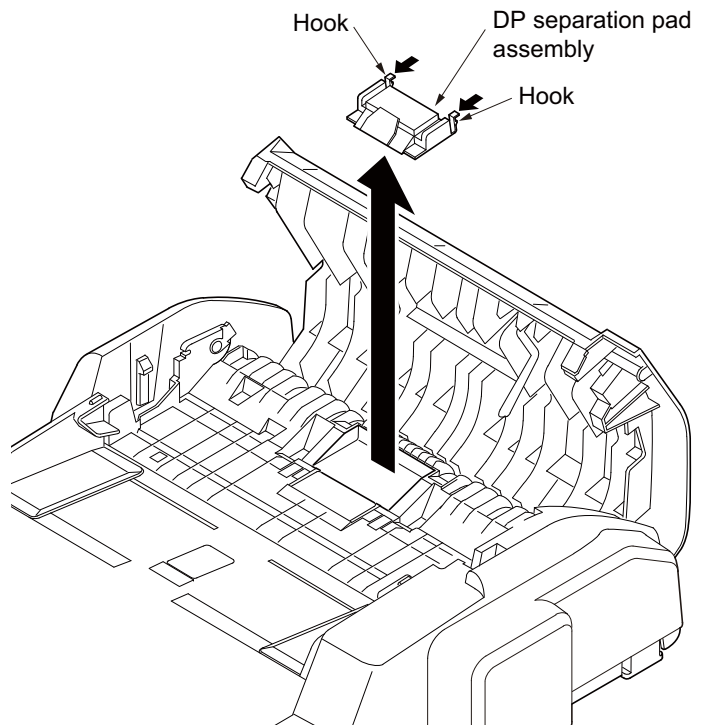


Figure 1-5-75

1-6-1 Upgrading the firmware

Follow the procedure below to upgrade the firmware of main PWB (main controller and scanner) and engine PWB and FAC control PWB and Option language.

Preparation

Extract the file that has the download firmware and put them in the USB Memory.

Procedure

1. Turn ON the main power switch and confirm if the screen shows "Ready to print" then, turn OFF the main power switch.
2. Insert USB memory that has the firmware in the USB memory slot.
3. Turn ON the main power switch.
4. About 40 seconds later, "FW-Update" will be displayed and blinking the data LED (this shows to start the download).
5. Display the software that now upgrading.

"FW-Update [CTRL]"

"FW-Update [ENGIN]"

"FW-Update [SCAN]"

"FW-Update [FAX]"

"FW-Update [OPT]"

6. Display the completion of the upgrade (Data LED is ON condition).
7. ROM version is confirmed by the content of the display.
8. Turn OFF the main power switch and remove the USB memory.

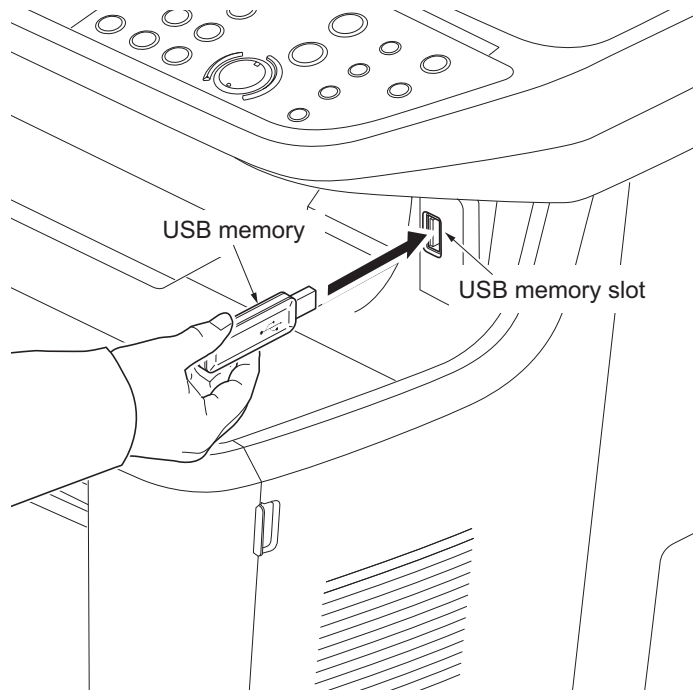
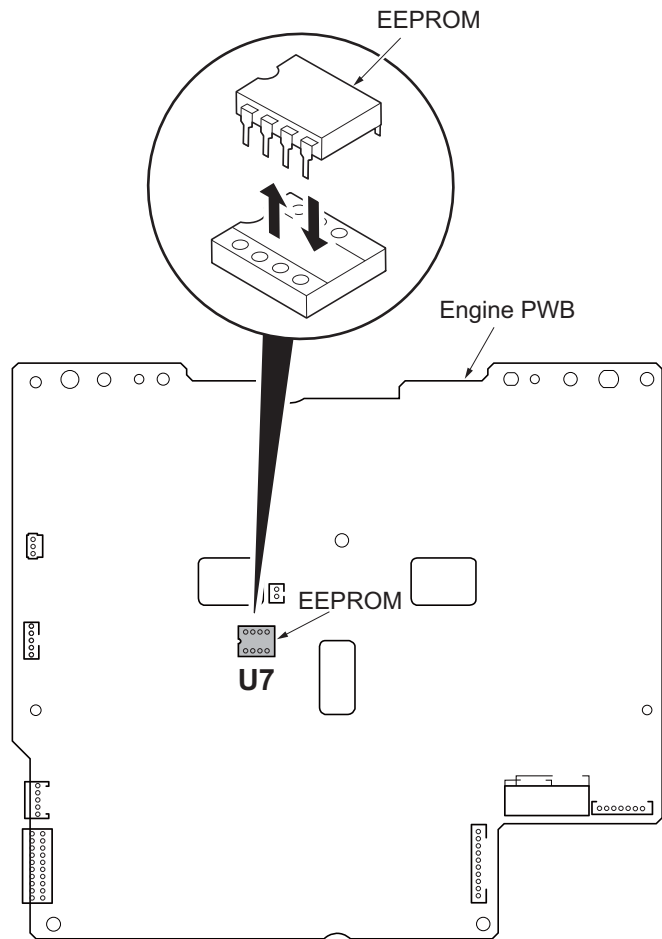


Figure 1-6-1

1-6-2 Remarks on engine PWB replacement

When replacing the engine PWB, remove the EEPROM (U7) from the engine PWB that has been removed and then reattach it to the new engine PWB.



2-1-1 Paper feed/conveying section

Paper feed/conveying section consists of the paper feed unit that feeds paper from the cassette and the MP tray paper feed unit that feeds paper from the MP tray, and the paper conveying section that conveys the fed paper to the transfer/separation section.

(1) Cassette paper feed section

Paper cassette is the universal type that is applicable to various paper sizes by adjusting the side guides and paper stopper and approximate 500 pages can be put in. Mechanism in the paper cassette consists of the bottom plate that lifts the paper in order to let it touch the pickup roller and the retard roller that prevents papers from multiple feeding. Paper that is drawn out by the rotation of pickup roller of the cassette paper feed section is then sent in between the feed roller and the retard roller. Function of the built-in torque limiter in the retard roller gives weak resistance force against the rotation. Normally, when only a page is drawn out by the rotation of pickup roller, the paper is conveyed to the machine by the rotation of feed roller on its own. If the pickup roller drew out two lapped pages somehow, the upper paper is conveyed by the feed roller and the lower paper stays due to the rotation resistant force of the retard roller because the friction force between papers is smaller than the rotation resistance force of the retard roller and then the multiple paper feed can be prevented.

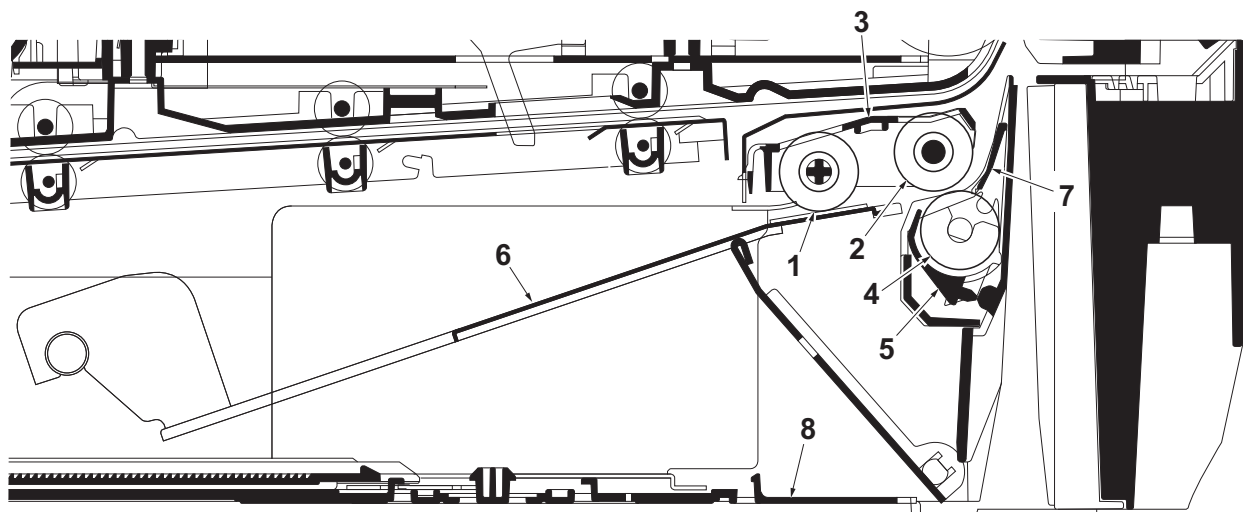


Figure 2-1-1 Cassette paper feed section

- | | |
|----------------------|------------------|
| 1. Pickup roller | 5. Retard holder |
| 2. Paper feed roller | 6. Bottom plate |
| 3. Feed holder | 7. Retard guide |
| 4. Retard roller | 8. Cassette base |

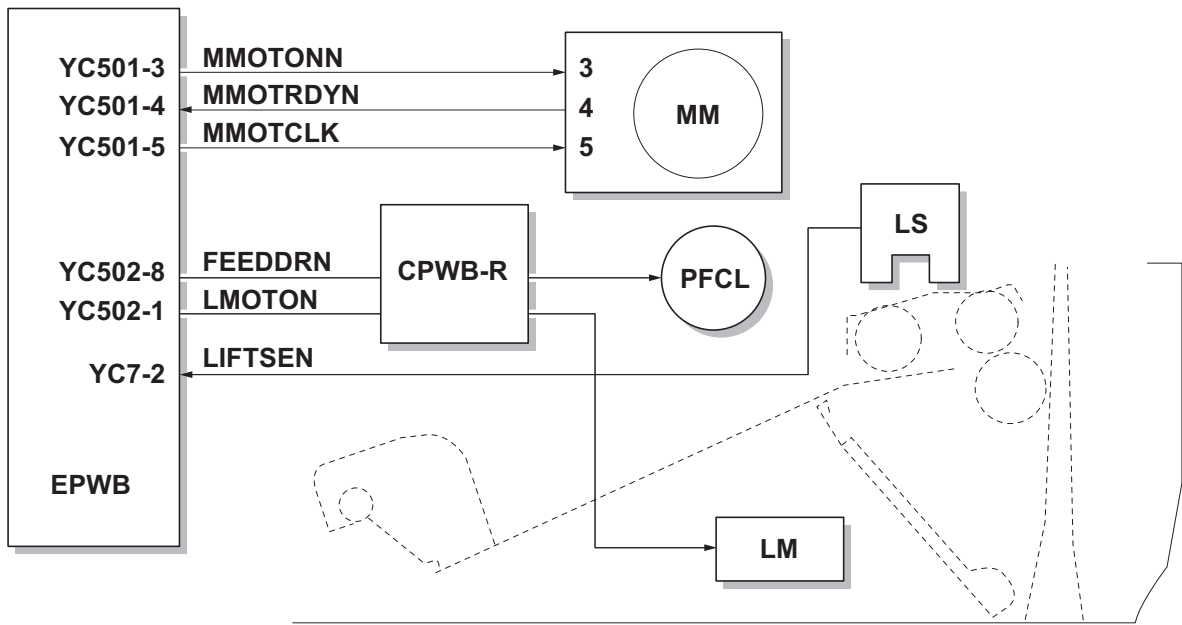


Figure 2-1-2 Cassette paper feed section block diagram

(2) MP tray paper feed section

The MP tray can contain about 100 pages. Feeding is performed by the rotation of the MP tray feed roller from the MP tray. Function of the MP tray friction pad prevents papers from multiple feeding.

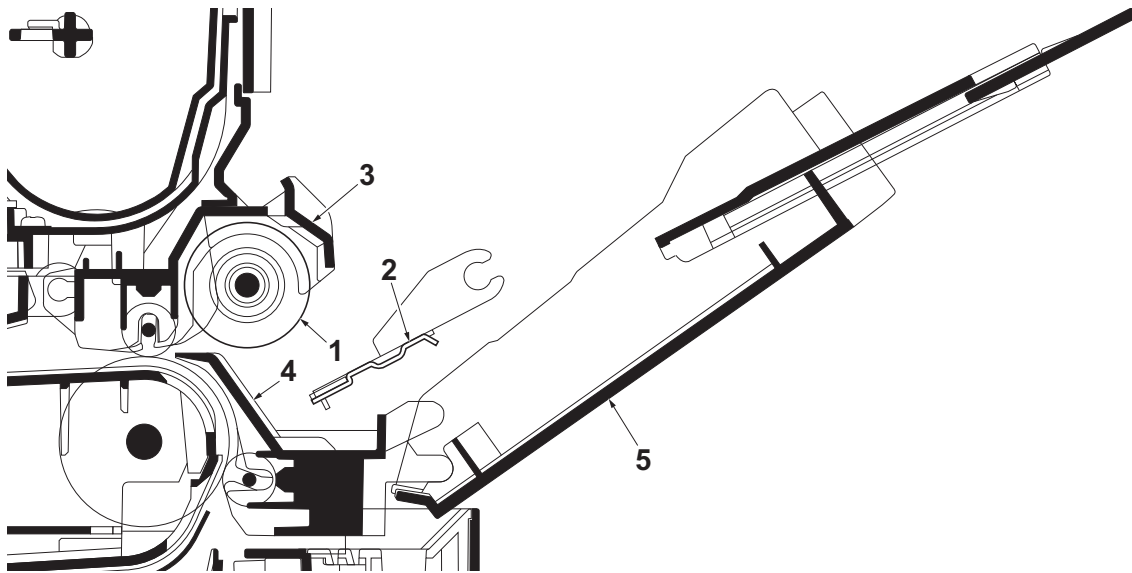


Figure 2-1-3 MP tray paper feed section

- 1. MP paper feed roller
- 2. Bottom plate
- 3. MP tray frame
- 4. MPF base
- 5. MP tray cover

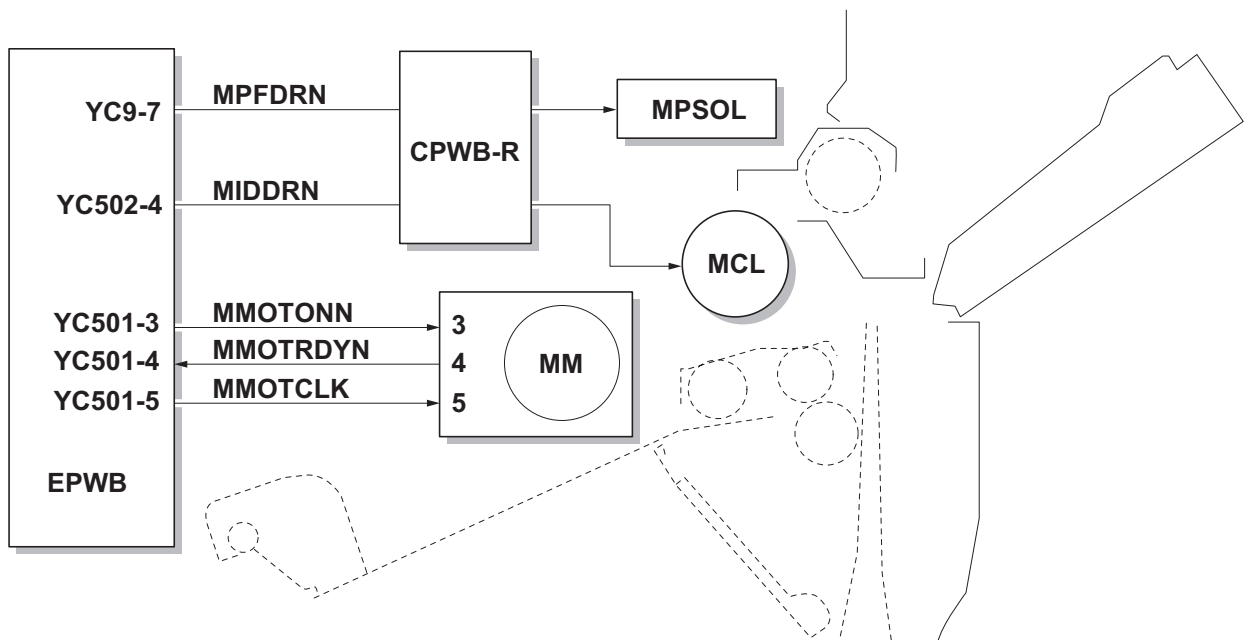


Figure 2-1-4 MP tray paper feed section block diagram

(3) Paper conveying section

Paper conveying section consists of the parts shown in the following illustration and conveys papers from the paper cassette or the MP tray to the transfer/separation section when papers are fed. Paper by feeding or refeeding is conveyed by the middle roller to the position where the registration sensor (RS) is turned on, and then sent to the transfer/separation section by the upper registration roller and lower registration roller.

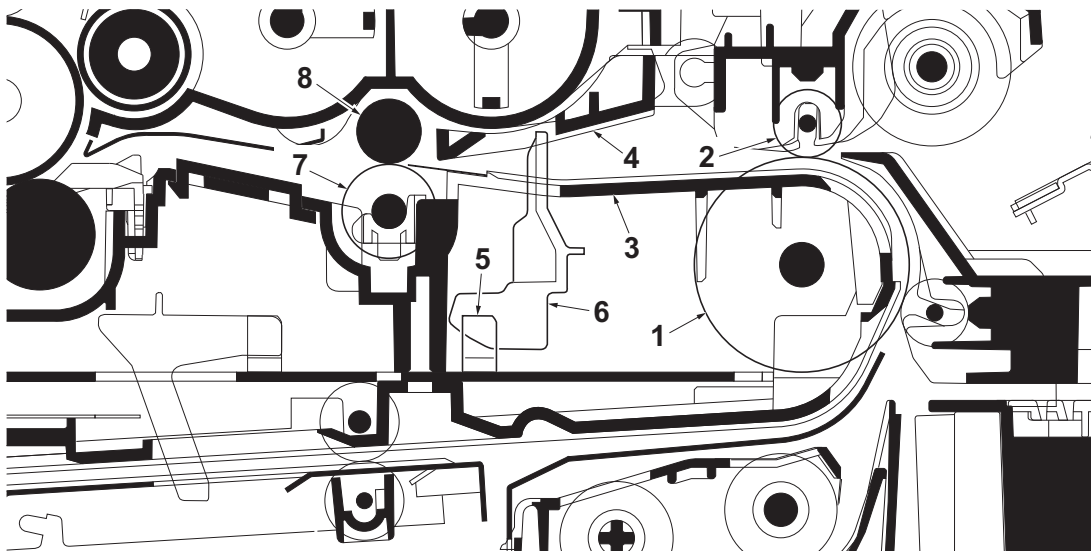


Figure 2-1-5 Paper conveying section

- | | |
|-----------------------------|-----------------------------------|
| 1. Middle roller | 5. Registration sensor (RS) |
| 2. Feed DU pulley | 6. Actuator (registration sensor) |
| 3. Feed frame | 7. Lower registration roller |
| 4. Registration upper guide | 8. Upper registration roller |

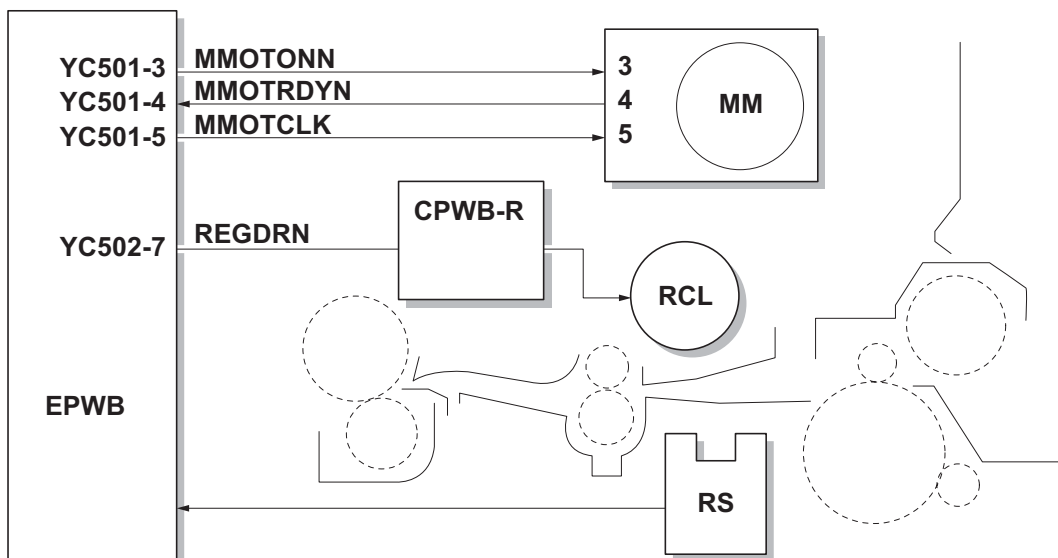


Figure 2-1-6 Paper conveying section block diagram

2-1-2 Drum section

The drum unit includes a photoconductive drum, eraser lamp, cleaning blade and, a main charger unit. The drum unit is removable with the main charger unit.

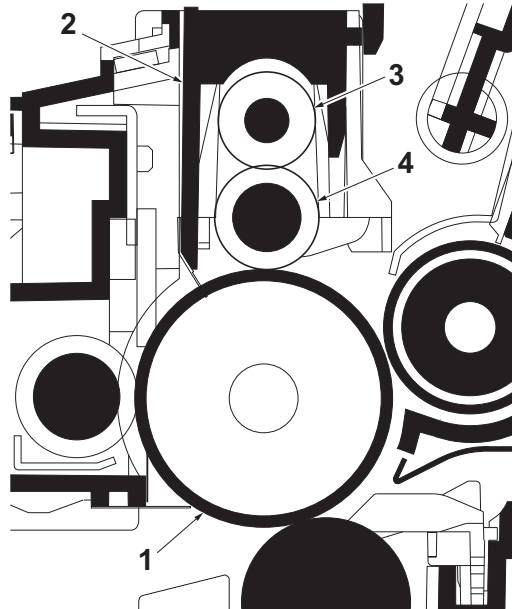


Figure 2-1-7 Drum section

1. Drum
2. Main charger case
3. Charger cleaning roller
4. Main charger roller

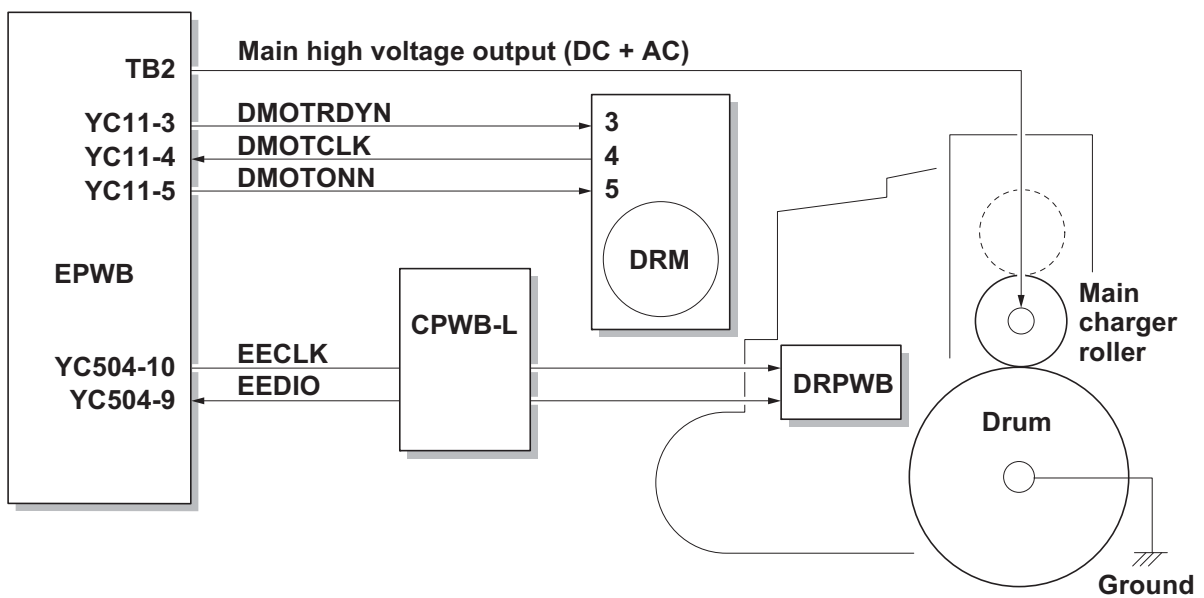


Figure 2-1-8 Drum section block diagram

2-1-3 Optical section

(1) Scanner unit

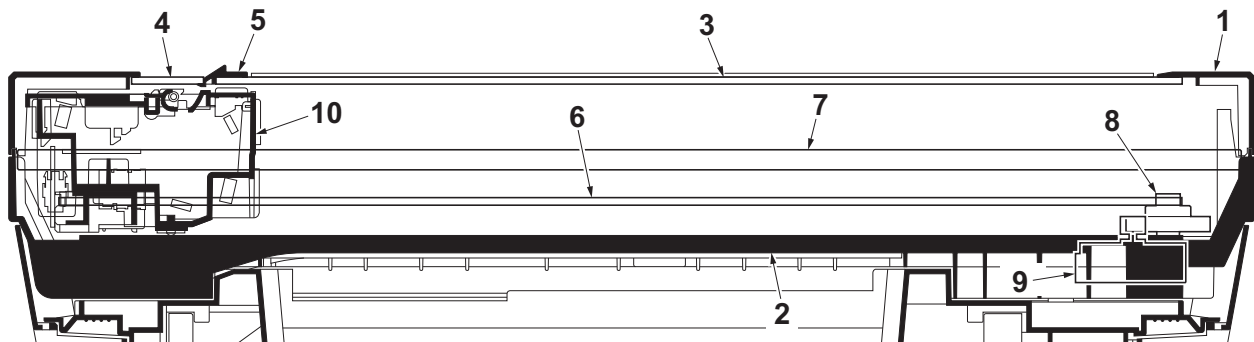


Figure 2-1-9 Scanner unit

- | | |
|-------------------------|------------------------------|
| 1. ISU top frame | 6. ISU belt |
| 2. ISU bottom frame | 7. ISU shaft |
| 3. Contact glass | 8. ISU gear 63/32 |
| 4. DP contact glass | 9. ISU motor |
| 5. Size indicator plate | 10. Image scanner unit (ISU) |

(2) Image scanner unit (ISU)

The original image is illuminated by the LED and scanned by the CCD image sensor in the CCD PWB (CCD-PWB) via the four mirrors and ISU lens, the reflected light being converted to an electrical signal.

If a document processor (DP) is used, the image scanner unit stops at the position of the DP contact glass and scans sequentially one row of the image on the original in synchronization with the moving timing of the original in the sub scan direction by driving the DP.

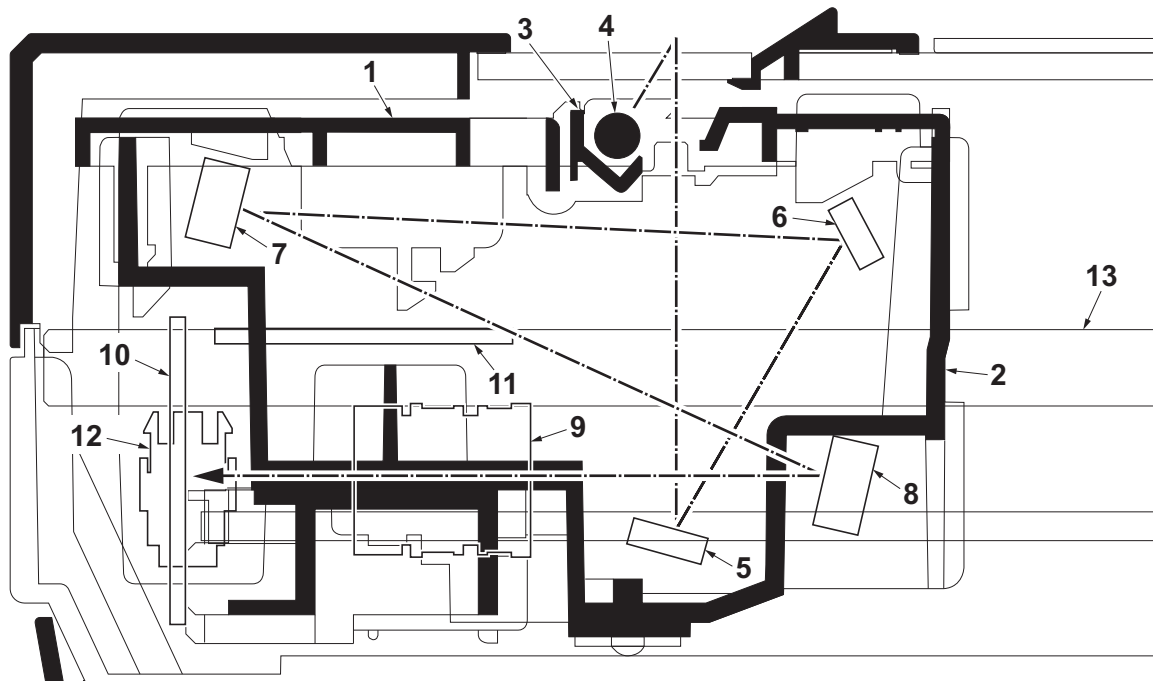


Figure 2-1-10 Image scanner unit (ISU)

- | | |
|-------------------------|--------------------------------|
| 1. Lamp mount | 8. Mirror D |
| 2. ISU housing | 9. ISU lens |
| 3. ISU reflector | 10. CCD PWB (CCDPWB) |
| 4. Transparent material | 11. Inverter PWB (INPWB) |
| 5. Mirror A | 12. Home position sensor (HPS) |
| 6. Mirror B | 13. ISU shaft |
| 7. Mirror C | |

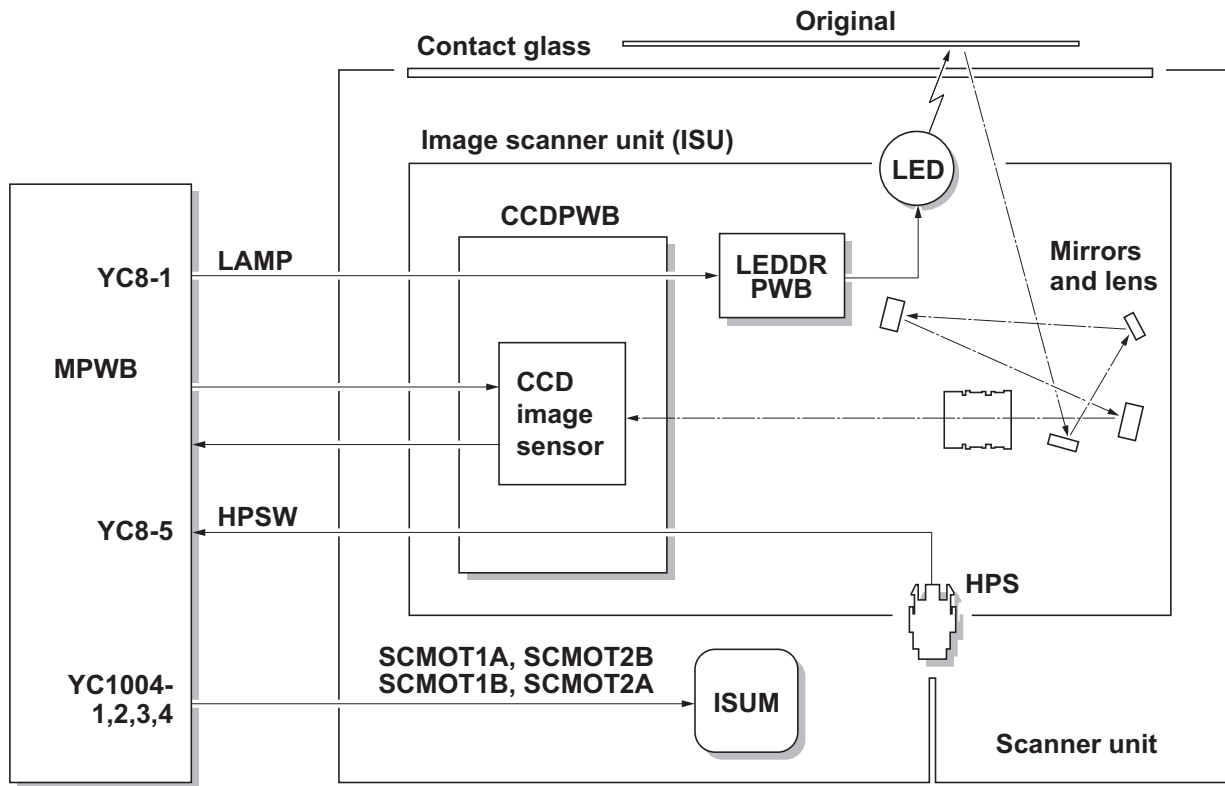


Figure 2-1-11 Scanner unit block diagram

(3) Laser scanner unit

The charged surface of the drum is then scanned by the laser beam from the laser scanner unit. The laser beam is dispersed as the polygon motor (PM) revolves to reflect the laser beam over the drum. Various lenses and mirror are housed in the laser scanner unit, adjust the diameter of the laser beam, and focalize it at the drum surface.

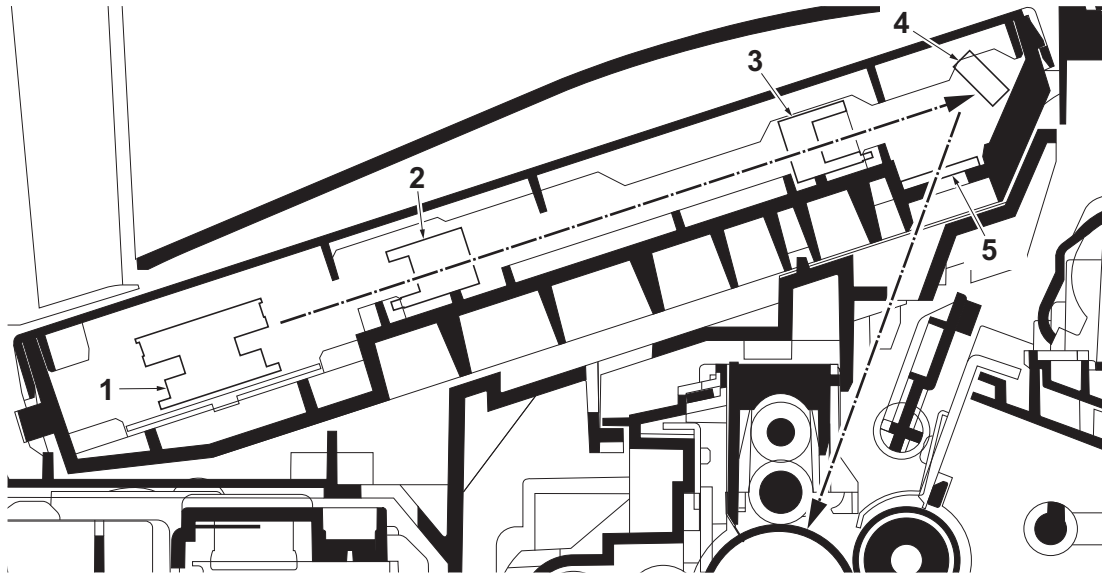


Figure 2-1-12 Laser scanner unit

1. Polygon motor (PM)
2. f- θ sub lens
3. f- θ main lens
4. Direction change mirror
5. Protective glass

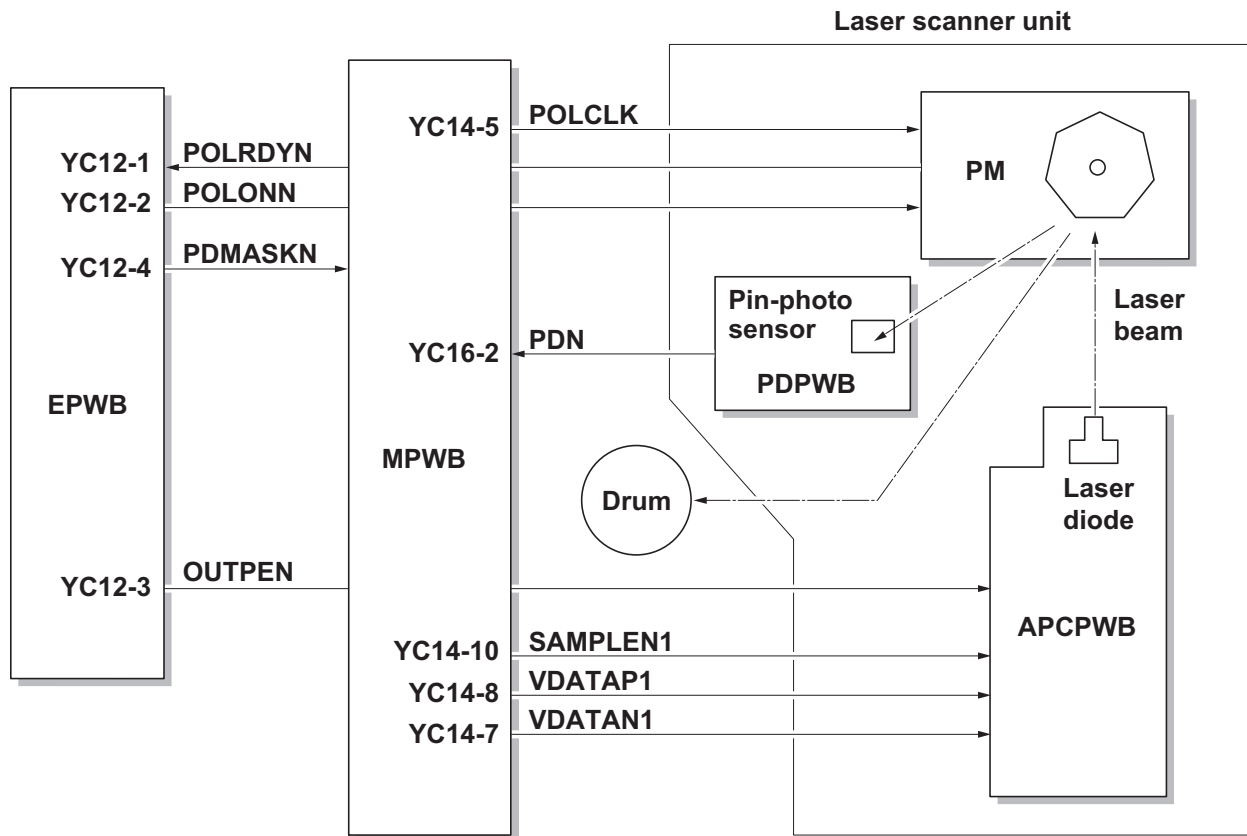


Figure 2-1-13 Laser scanner unit block diagram

2-1-4 Developing section

The latent image constituted on the drum is developed into a visible image. The developing roller contains a 3-pole (S-NS) magnet roller and an aluminum cylinder rotating around the magnet roller. Toner attracts to the magnet sleeve since it is powdery ink made of black resin bound to iron particles. Developing blade, magnetized by magnet, is positioned approximately 0.3 mm above the magnet sleeve to constitute a smooth layer of toner in accordance with the magnet sleeve revolution.

The developing roller is applied with the AC-weighted, positive DC power source. Toner on the magnet sleeve is given a positive charge. The positively charged toner is then attracted to the areas of the drum which was exposed to the laser light. (The gap between the drum and the magnet sleeve is approximately 0.32 mm.) The non-exposed areas of the drum repel the positively charged toner as these areas maintain the positive charge.

The developing roller is also AC-biased to ensure contrast in yielding by compensating the toner's attraction and repelling action during development.

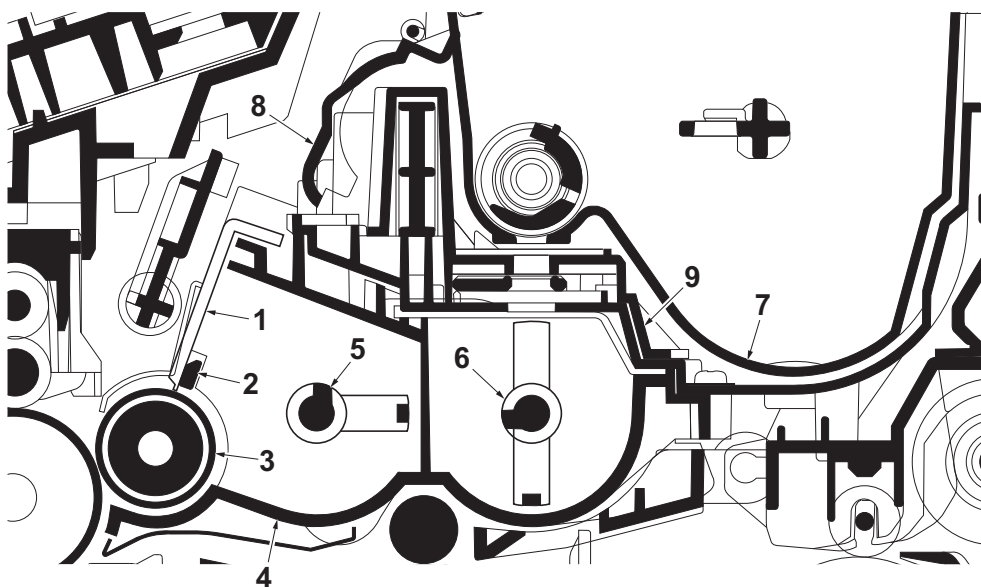


Figure 2-1-14 Developing section

- | | |
|----------------------|--------------------|
| 1. Developing blade | 6. DLP screw B |
| 2. Blade magnet | 7. Toner container |
| 3. Developing roller | 8. Sleeve cover |
| 4. Developer case | 9. Developer lid |
| 5. DLP screw A | |

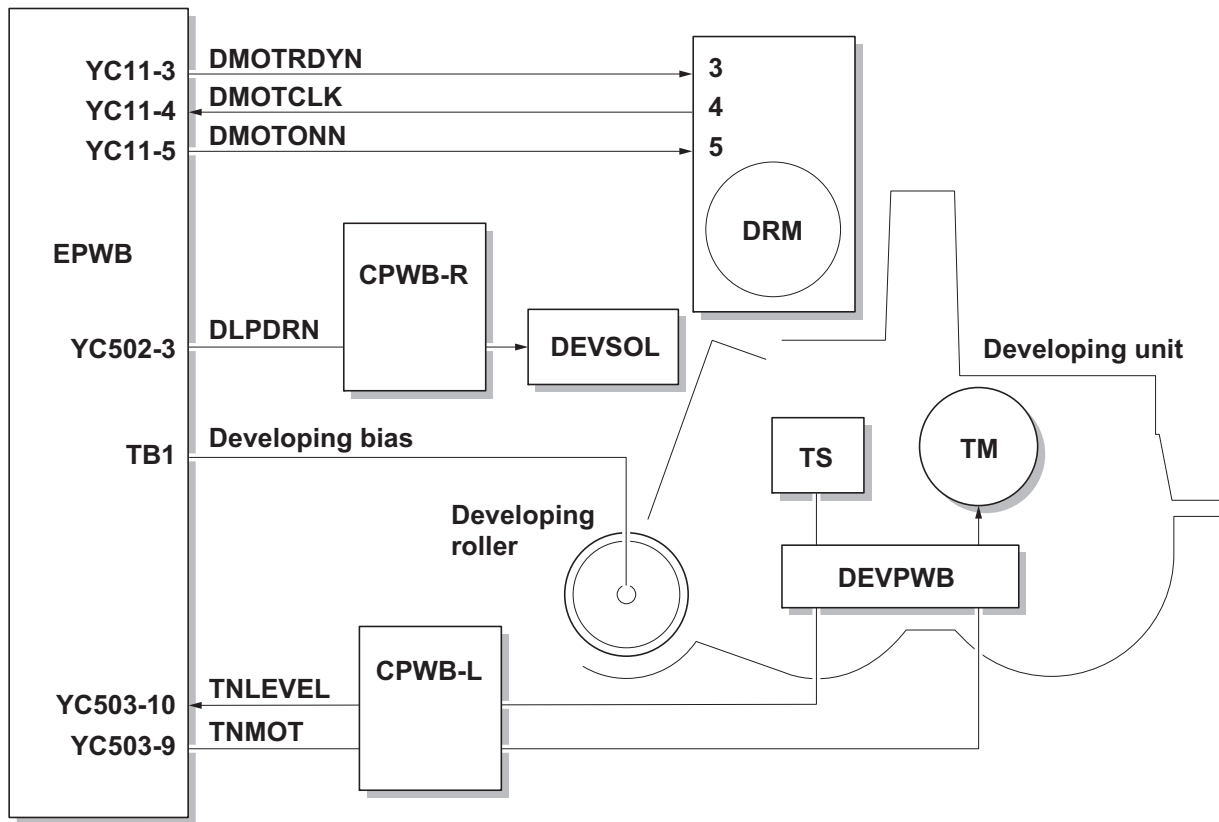


Figure 2-1-15 Developing section block diagram

2-1-5 Transfer/Separation section

The image developed by toner on the drum is transferred onto the paper because of the electrical attraction between the toner itself and the transfer roller. The transfer roller is negatively biased so that the positively charged toner is attracted onto the paper while it is pinched by the drum and the transfer roller.

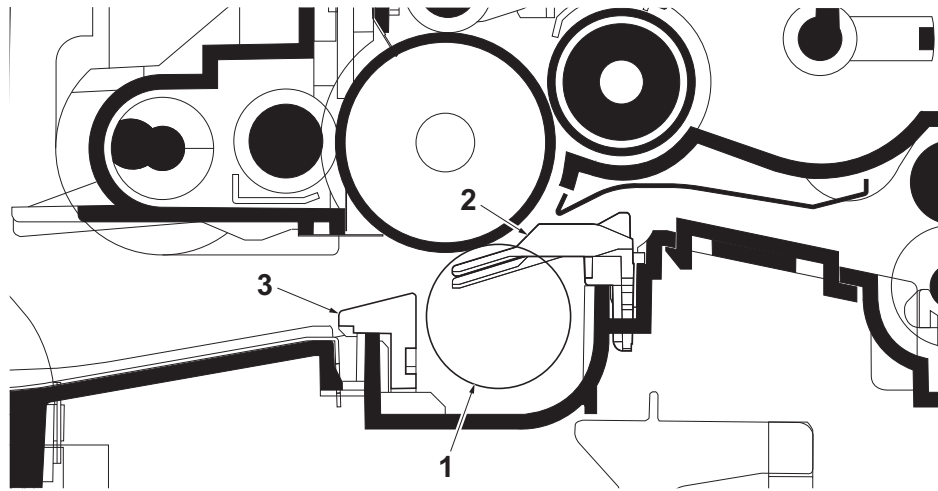


Figure 2-1-16 Transfer/Separation section

1. Transfer roller
2. Paper chute guide
3. Separation brush

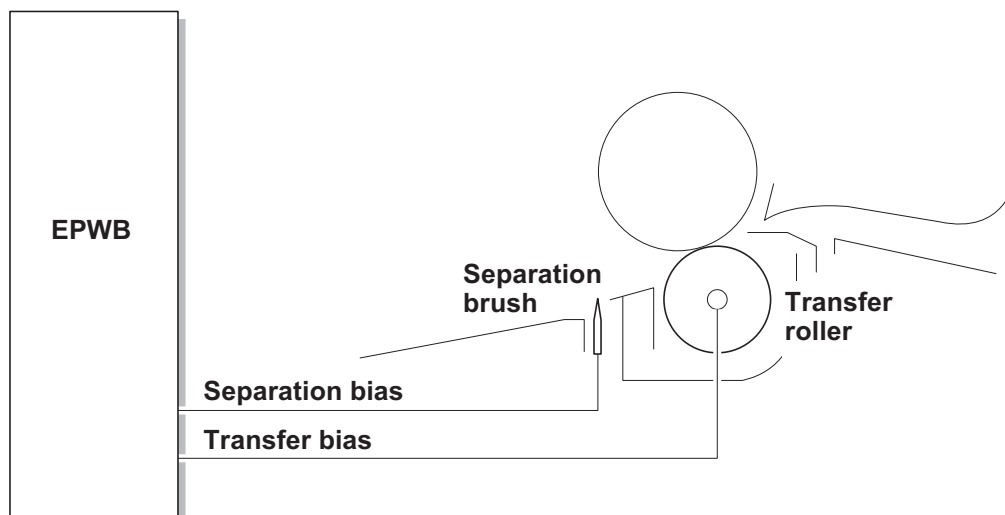


Figure 2-1-17 Transfer/Separation section block diagram

2-1-6 Cleaning section

After the transferring process, the drum needs to be physically cleaned of toner which is residual after the development process. The cleaning blade is constantly pressed against the drum and scrapes the residual toner off to the cleaning roller. The waste toner is collected at the output end of the sweep roller and sent to the waste toner box.

After the drum is physically cleaned, it then must be cleaned to the electrically neutral state. This is necessary to erase any residual positive charge, ready to accept the uniform charge for the next print process. The residual charge is canceled by exposing the drum to the light emitted from the cleaning lamp (CL). This lowers the electrical conductivity of the drum surface making the residual charge on the drum surface escape to the ground.

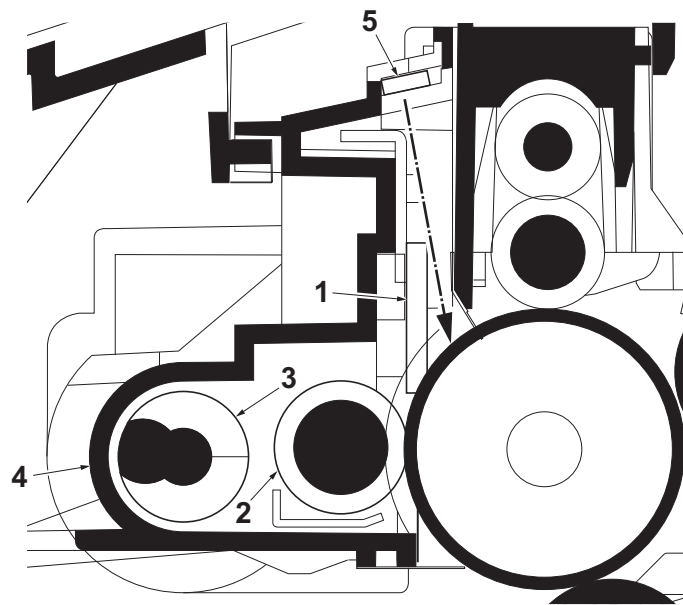


Figure 2-1-18 Cleaning section

1. Cleaning blade
2. Cleaning roller
3. Sweep roller
4. Drum frame
5. Cleaning lamp (CL)

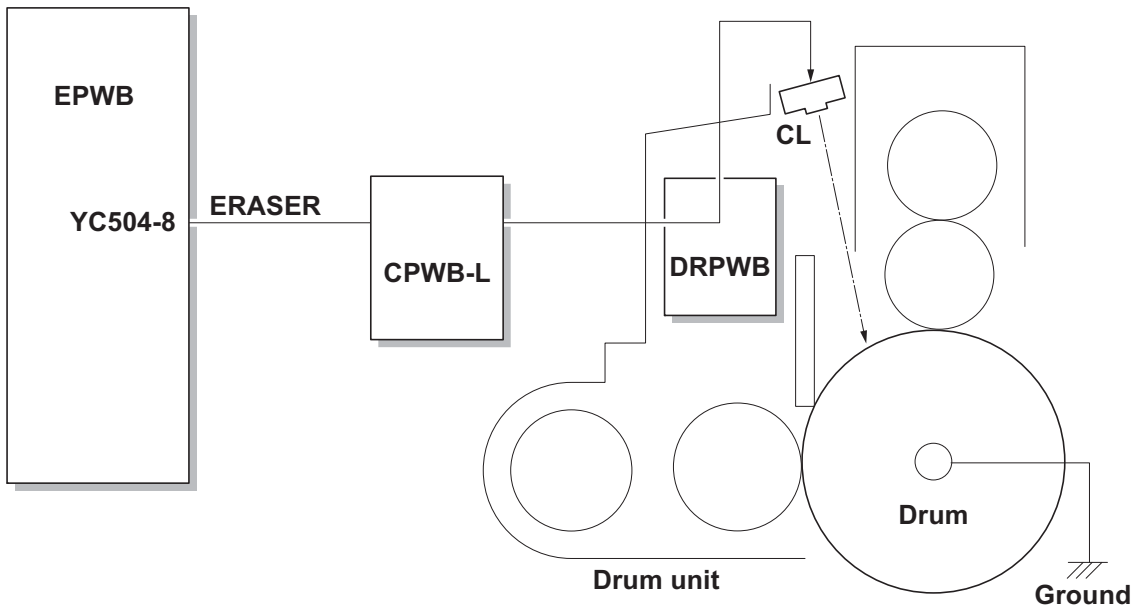


Figure 2-1-19 Cleaning section block diagram

2-1-7 Fuser section

The toner on the paper is molten and pressed into the paper as it passes between the heat roller and the press roller in the fuser unit.

The heat roller has a fuser heater (FH) inside which continuously turns on and off by the fuser thermistor (FTH) to maintain the constant temperature onto the heat roller surface.

Should the temperature of the heat roller exceed the predetermined value, the fuser thermostat (FTS) is activated to effectively disconnect the fuser heater (FH) from power.

Fuser temperature is optimized to the paper type. The heat roller is resin coated by fluorine to prevent toner from accumulating on the roller after a long run. Care must be taken while handling the heat roller not to scratch the roller surface as doing so may result in print problems. The heat roller has four separators (claws) which are continuously in contact with its surface. These separators (claws) prevent the paper on which toner has been fused from being wound around the heat roller causing paper jam.

The press roller is made of the heat-resistant silicone rubber. This roller is used to strongly press the paper towards the heat roller by means of press springs.

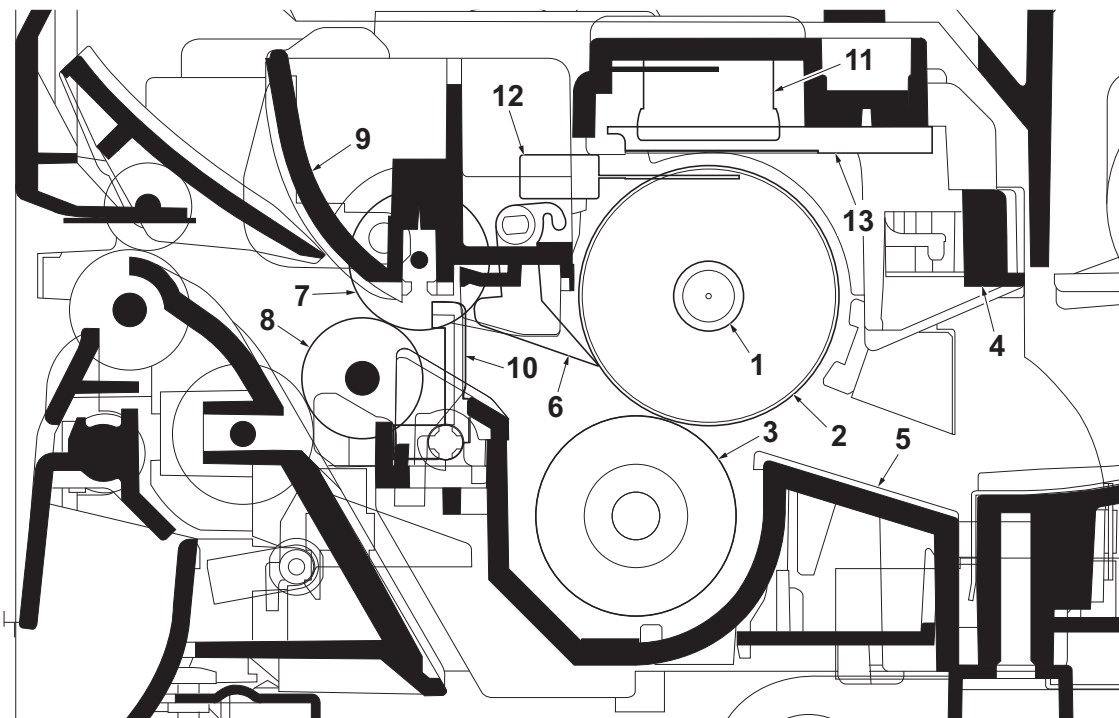


Figure 2-1-20 Fuser section

- | | |
|----------------------|-------------------------------|
| 1. Fuser heater (FH) | 8. Eject roller |
| 2. Heat roller | 9. Feed guide |
| 3. Press roller | 10. Actuator (eject sensor) |
| 4. Fuser upper frame | 11. Fuser thermostat (FTS) |
| 5. Fuser lower frame | 12. Fuser thermistor 1 (FTH1) |
| 6. Separators | 13. Fuser thermistor 2 (FTH2) |
| 7. Eject pulley | |

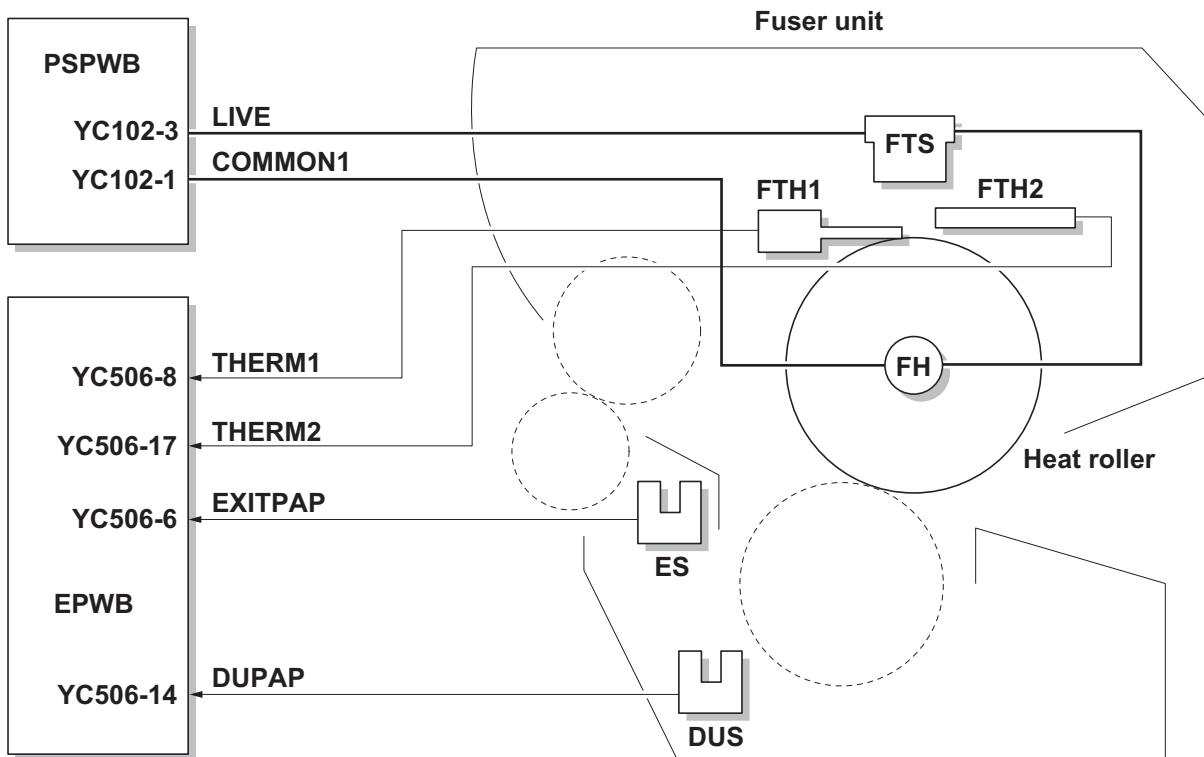


Figure 2-1-21 Fuser section block diagram

2-1-8 Eject/Rear unit section

Eject/Rear unit section transports the paper which passed the fuser unit towards the top tray, face up tray or duplex conveying section.

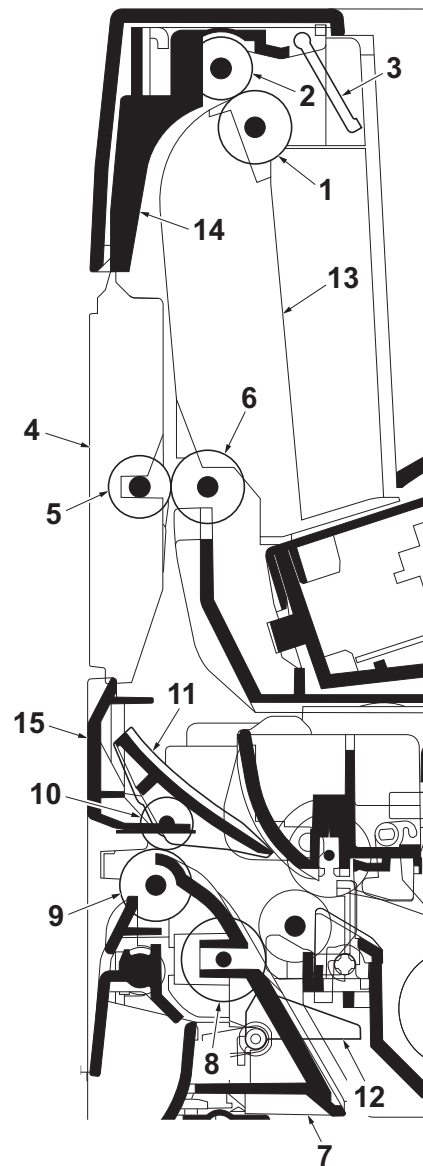


Figure 2-1-22 Eject/Rear unit section

- | | |
|---------------------------------|------------------------------|
| 1. Face down upper roller | 9. Face up roller |
| 2. Eject FD pulley | 10. Eject FU pulley |
| 3. Actuator (paper full sensor) | 11. Face up guide |
| 4. FD cover | 12. Actuator (duplex sensor) |
| 5. Feed FD pulley | 13. Vertical guide |
| 6. Face down lower roller | 14. Paper eject guide |
| 7. DU guide | 15. Rear cover |
| 8. Feed DU pulley | |

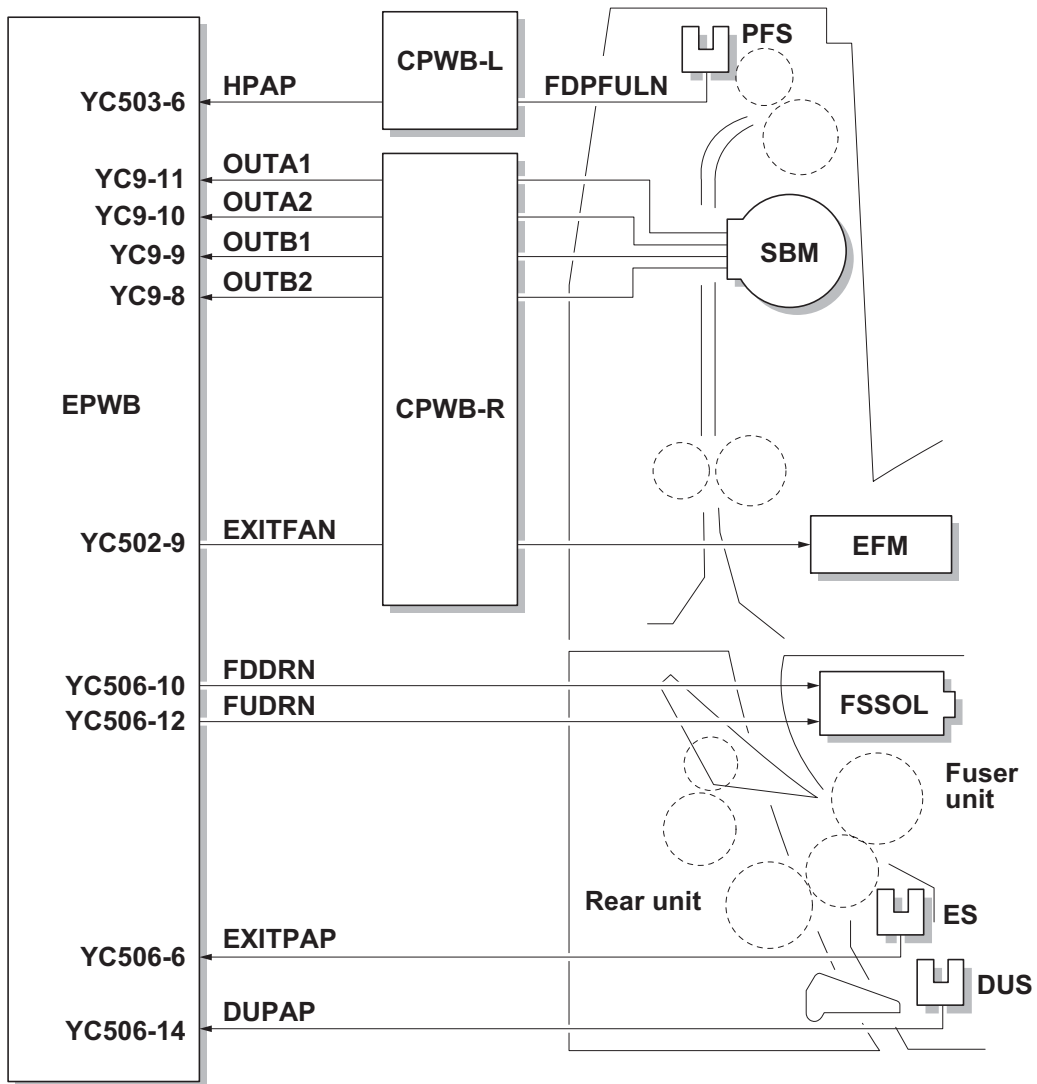


Figure 2-1-23 Eject/rear unit section block diagram

2-1-9 Duplex conveying section

Duplex conveying section consists of conveying path which sends the paper sent from the eject/rear unit section to the paper feed/conveying section when duplex printing.

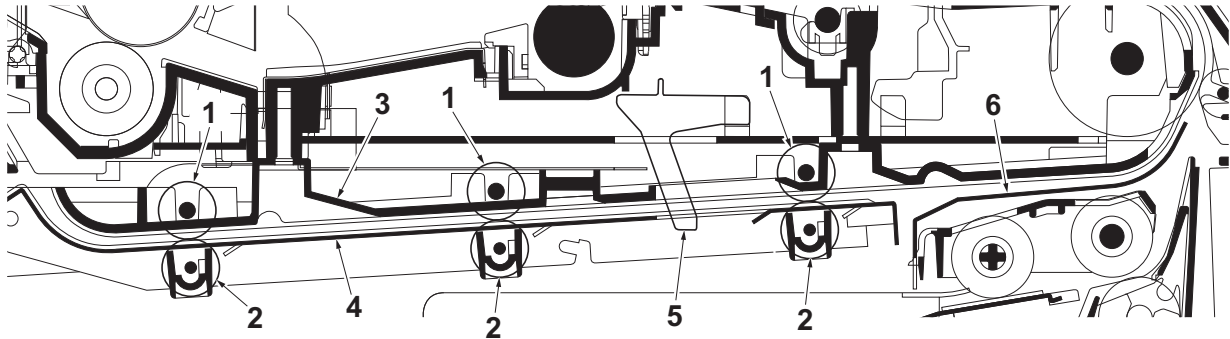


Figure 2-1-24 Duplex conveying section

1. DU roller
2. DU feed pulley
3. DU base
4. DU lower guide
5. Actuator (duplex jam sensor)
6. Feed upper guide

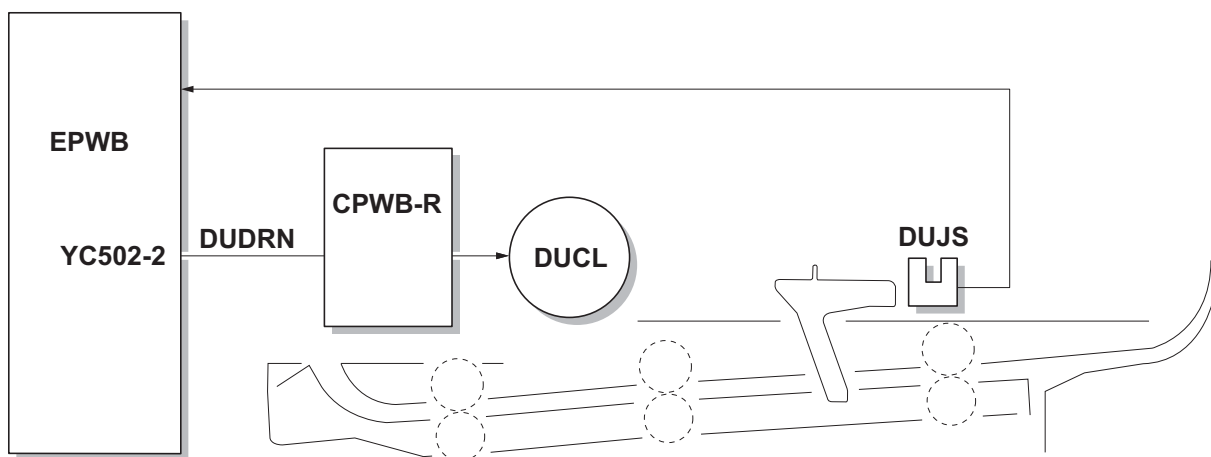


Figure 2-1-25 Duplex conveying section block diagram

2-1-10 Document processor

(1) Original feed section

The original feed section consists of the parts shown in figure. An original placed on the original table is conveyed to the original conveying section. Original is fed by the rotation of the DP forwarding pulley and DP feed pulley.

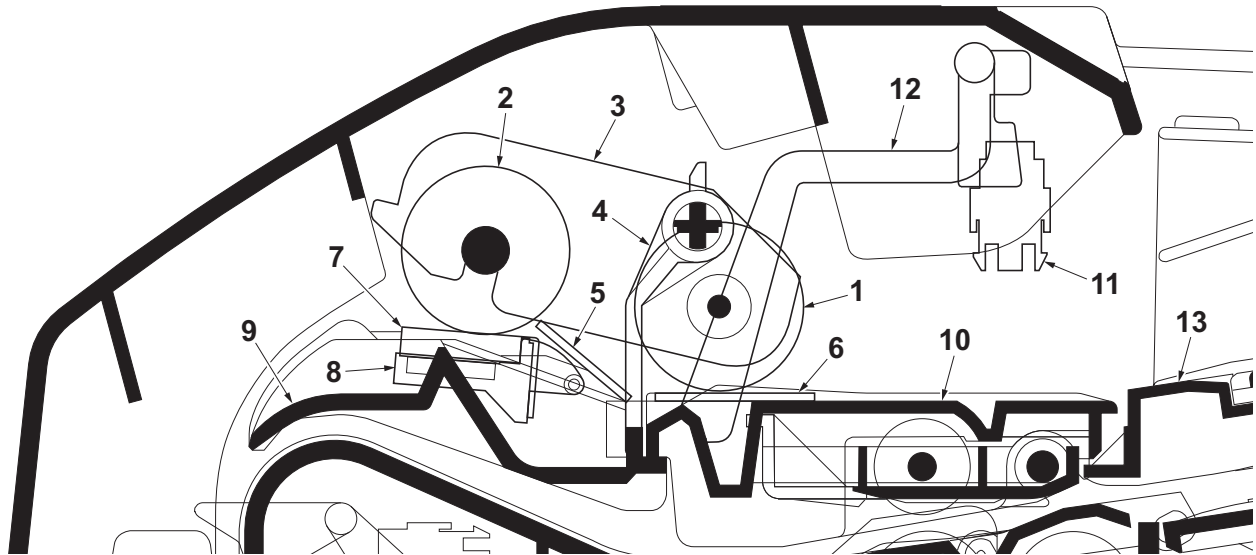


Figure 2-1-26 Original feed section

- | | |
|-------------------------|-----------------------------------|
| 1. DP forwarding pulley | 8. Separation mount |
| 2. DP feed pulley | 9. Upper guide |
| 3. LF holder | 10. Switchback guide |
| 4. PF stopper | 11. DP original sensor (DPOS) |
| 5. Front separation pad | 12. Actuator (DP original sensor) |
| 6. LF friction plate | 13. Original table |
| 7. DP separation pad | |

]

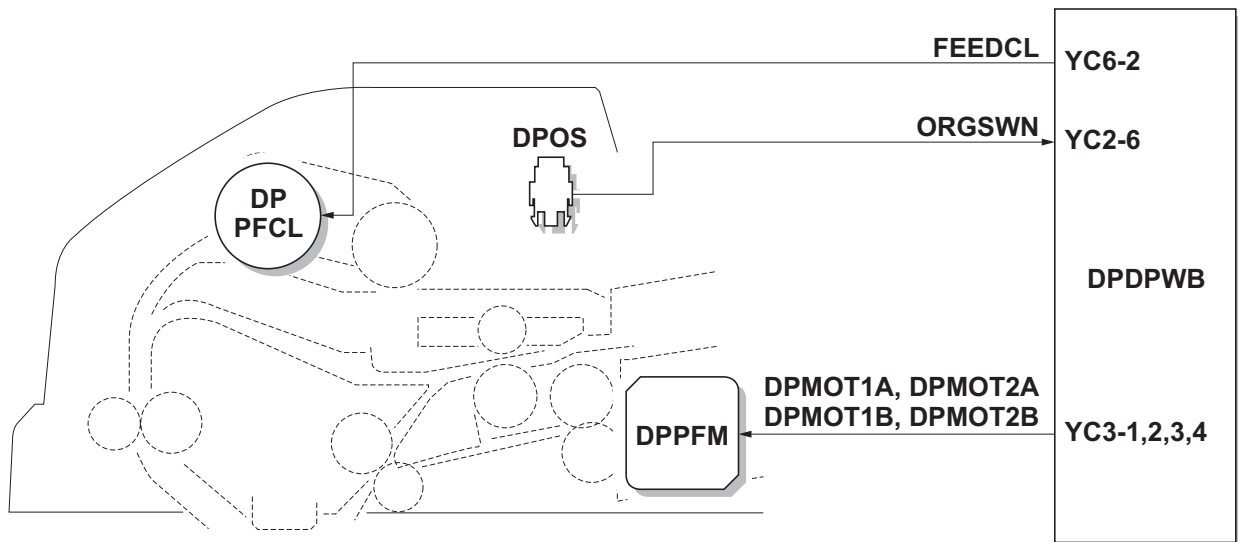


Figure 2-1-27 Original feed section block diagram

(2) Original conveying section

The original conveying section consists of the parts shown in figure. A conveyed original is scanned by the optical section (CCD) of main machine when it passes through the DP contact glass of main machine.

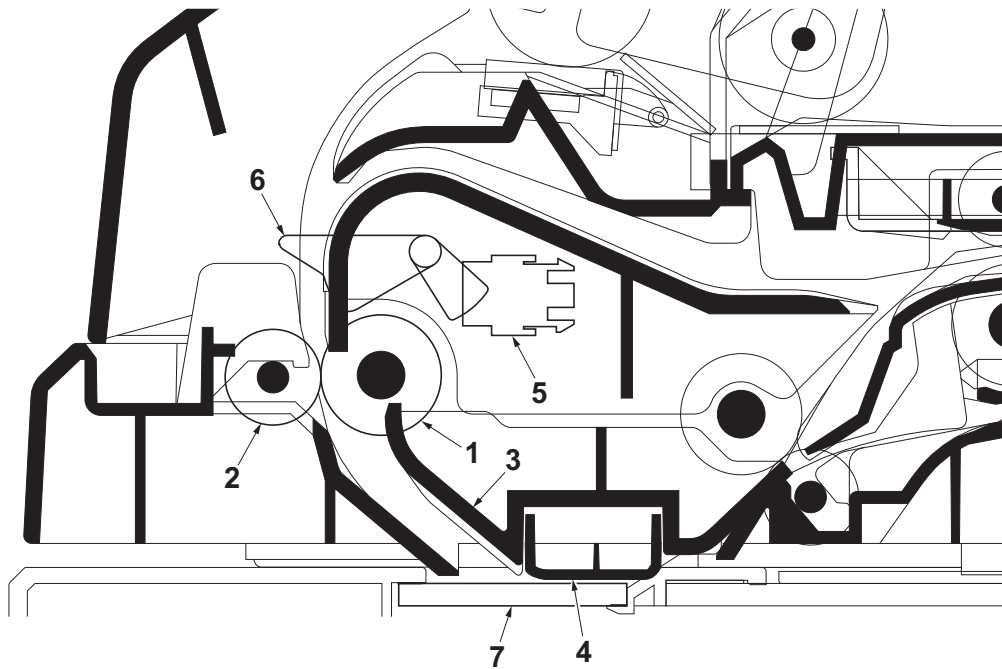


Figure 2-1-28 Original conveying section

- | | |
|-----------------------|--------------------------------|
| 1. Conveying roller A | 5. DP timing sensor (DPTS) |
| 2. Conveying pulley | 6. Actuator (DP timing sensor) |
| 3. Conveying bottom | 7. DP contact glass |
| 4. Reading guide | |

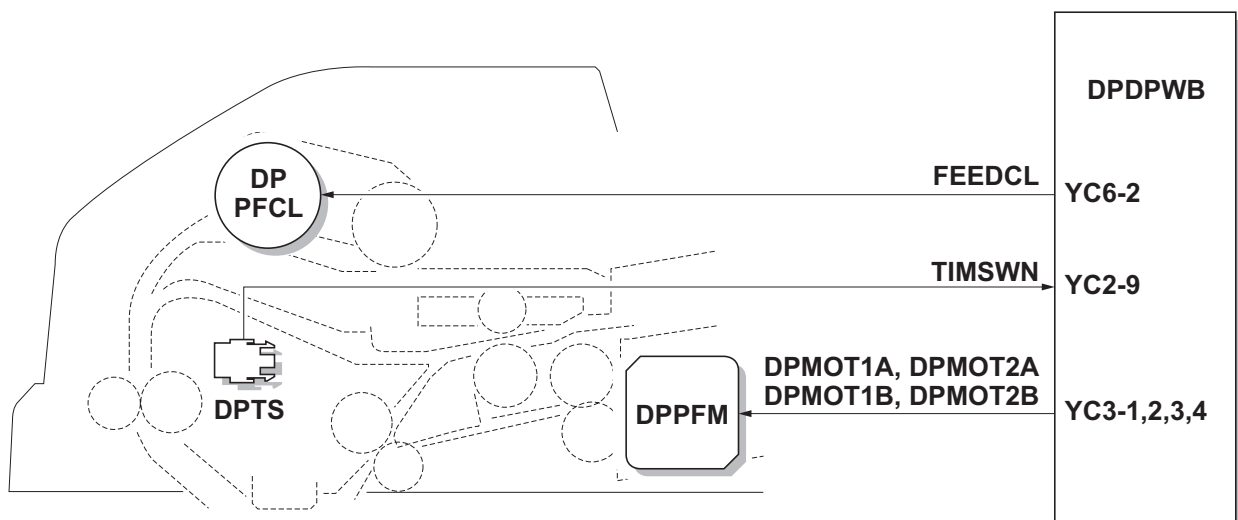


Figure 2-1-29 Original conveying section block diagram

(3) Original switchback/eject sections

The original switchback/eject sections consists of the parts shown in figure. An original of which scanning is complete is ejected to the original eject table by the eject roller. In the case of duplex switchback scanning, an original is conveyed temporarily to the switchback tray and conveyed again to the original conveying section by the switchback roller.

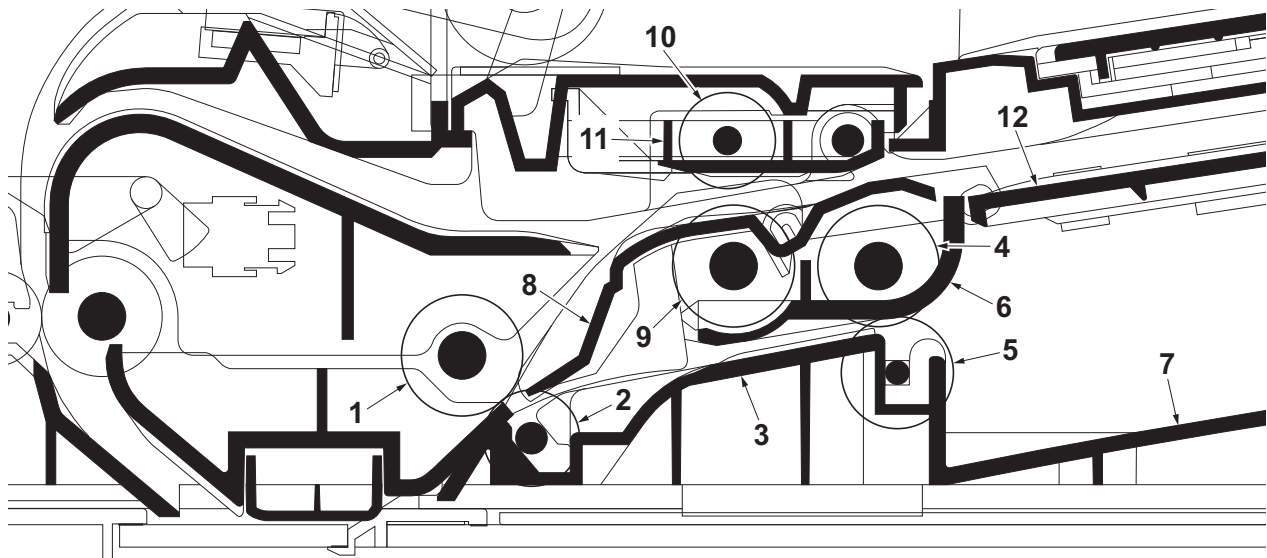


Figure 2-1-30 Original switchback/eject sections

- | | |
|-----------------------|-----------------------------|
| 1. Conveying roller B | 7. Original eject table |
| 2. Conveying pulley | 8. Switchback guide |
| 3. DP base | 9. Switchback roller |
| 4. Eject roller | 10. Switchback pulley |
| 5. Eject pulley | 11. Switchback pulley mount |
| 6. PF housing | 12. Switchback tray |

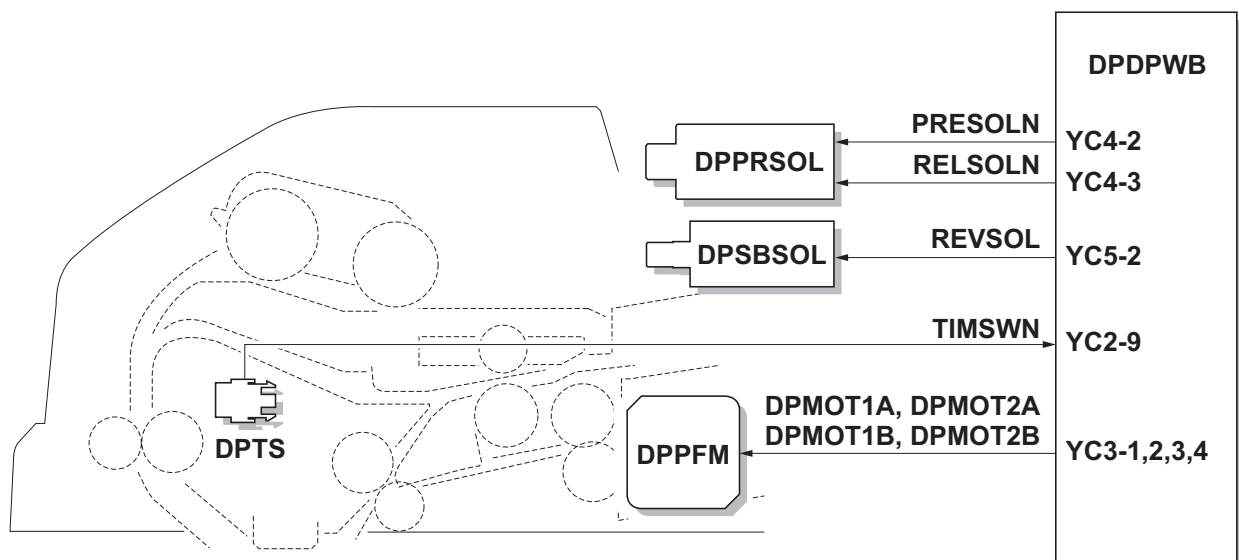


Figure 2-1-31 Original switchback/eject sections block diagram

This page is intentionally left blank.

2-2-1 Electrical parts layout

(1) PWBs

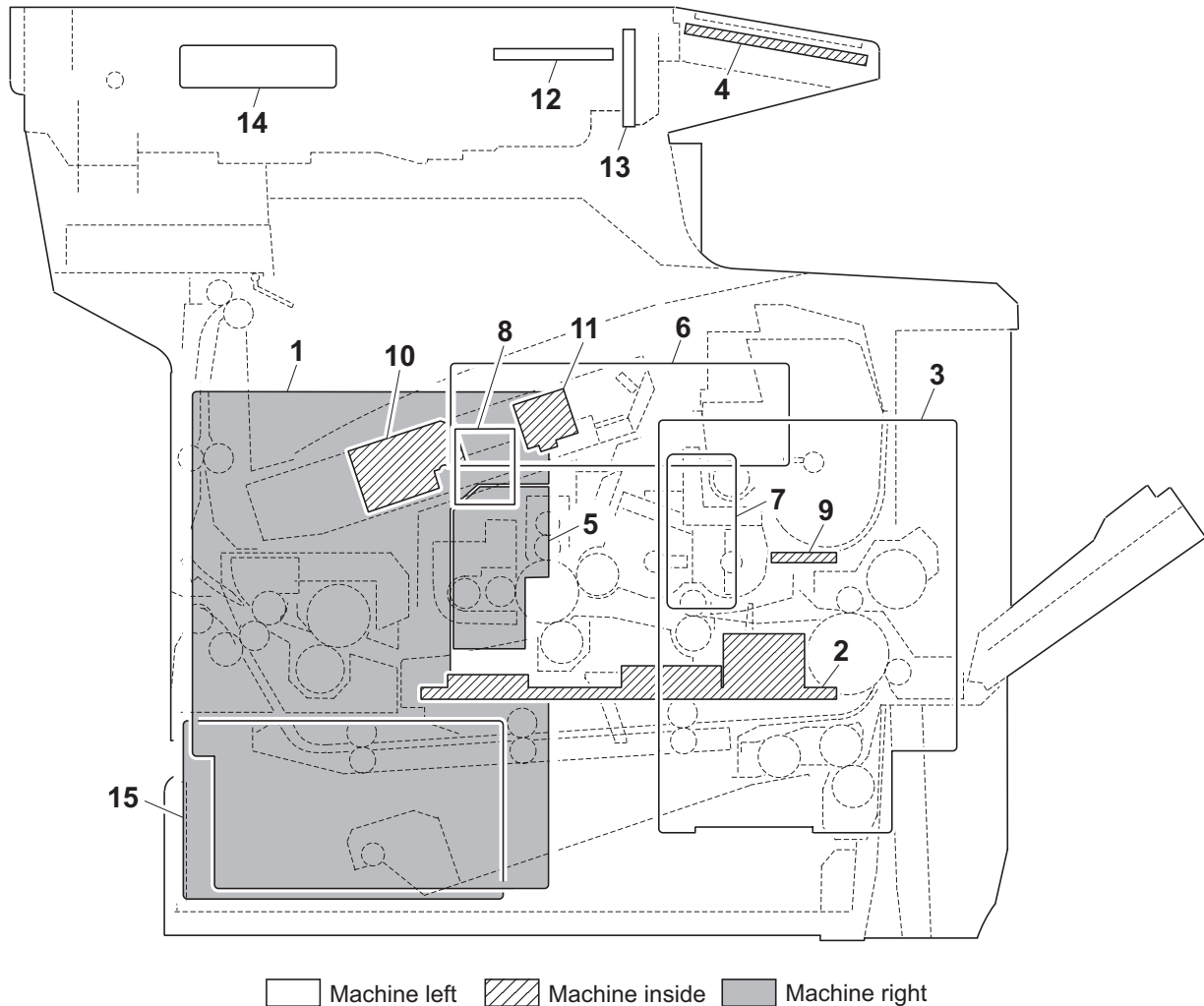


Figure 2-2-1 PWBs

- | | |
|--------------------------------------|---|
| 1. Main PWB (MPWB) | Controls the software such as the print data processing and provides the interface with computers. |
| 2. Engine PWB (EPWB)..... | Controls printer hardware such as high voltage/bias output control, paper conveying system control, and fuser temperature control, etc. |
| 3. Power source PWB (PSPWB) | After full-wave rectification of AC power source input, switching for converting to 24 V DC for output. Controls the fuser heater. |
| 4. Operation panel PWB (OPPWB) | Consists the LCD, LED indicators and key switches. |
| 5. Connect-R PWB (CPWB-R)..... | Interconnects the engine PWB and the electrical parts. |
| 6. Connect-L PWB (CPWB-L)..... | Interconnects the engine PWB and the electrical parts. |
| 7. Relay PWB (RYPWB) | Interconnects the power source PWB and the fuser heater. |
| 8. Drum PWB (DRPWB) | Relays wirings from electrical components on the drum unit. Drum individual information in EEPROM storage. |
| 9. Developing PWB (DEVPWB)..... | Relays wirings from electrical components on the developing unit. |
| 10. APC PWB (APCPWB) | Generates and controls the laser beam. |

11. PD PWB (PDPWB) Controls horizontal synchronizing timing of laser beam.
 12. LED drive PWB (LEDDRPWB) Controls the LED.
 13. LED PWB (LEDPWB) Controls the LED.
 14. CCD PWB (CCDPWB)..... Reads the image of originals.
 15. FAX control PWB (FCPWB)* Modulates, demodulates, compresses, decompresses and
 smoothes out image data, and converts resolution of image data.

*: Only 4in1 model (with FAX)

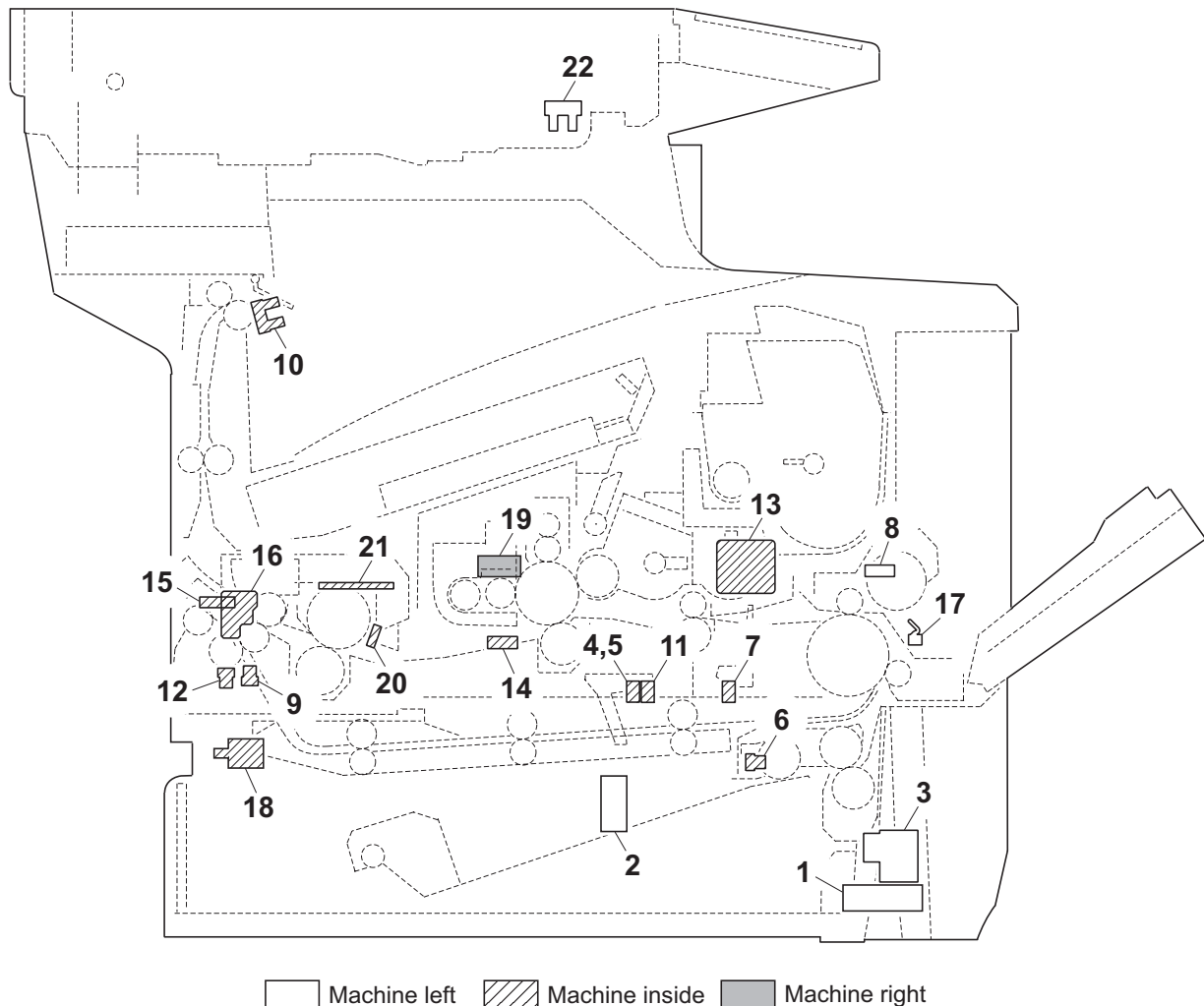
List of correspondences of PWB names

No.	Name used in service manual	Name used in parts list
1	Main PWB (MPWB)	PARTS MAIN PWB ASSY EU SP
2	Engine PWB (EPWB)	PARTS ENGINE PWB ASSY SP
3	Power source PWB (PSPWB)	PARTS SWITCHING REGULATOR (U) SP *1
3	Power source PWB (PSPWB)	PARTS SWITCHING REGULATOR (E) SP *2,*3
4	Operation panel PWB (OPPWB)	-
5	Connect-R PWB (CPWB-R)	P.W.BOARD ASSY CONNECT-R
6	Connect-L PWB (CPWB-L)	P.W.BOARD ASSY CONNECT-L
7	Relay PWB (RYPWB)	P.W.BOARD ASSY RELAY
8	Drum PWB (DRPWB)	-
9	Developer PWB (DEVPWB)	-
10	APC PWB (APCPWB)	-
11	PD PWB (PDPWB)	-
12	LED drive PWB (LEDDRPWB)	-
13	LED PWB (LEDPWB)	-
14	CCD PWB (CCDPWB)	-
15	FAX control PWB (FCPWB)	PARTS FAX UNIT(U) SP *1
15	FAX control PWB (FCPWB)	PARTS FAX UNIT(E) SP *2
15	FAX control PWB (FCPWB)	PARTS FAX UNIT(AS) SP *3

*1: 120V

*2: 220V

*3: 240V

(2) Switches and sensors**Figure 2-2-2 Switches and sensors**

- | | |
|---|--|
| 1. Main power switch (MSW) | Turns ON/OFF the AC power source. |
| 2. Interlock switch (ILSW) | Shuts off 24 V DC power line when the front cover is opened. |
| 3. Cassette size switch (CSSW) | Detects the paper size dial setting of the paper setting dial. |
| 4. Paper sensor 1 (PS1) | Detects the paper remaining amount level. |
| 5. Paper sensor 2 (PS2) | Detects the paper remaining amount level. |
| 6. Lift sensor (LS)..... | Detects activation of upper limit of the bottom plate in the paper cassette. |
| 7. Registration sensor (RS)..... | Detects the timing of primary feeding. |
| 8. MP paper sensor (MPPS) | Detects the presence of paper on the MP tray. |
| 9. Eject sensor (ES)..... | Detects paper jam in the fuser unit. |
| 10. Paper full sensor (PFS)..... | Detects whether the face down tray is full. |
| 11. Duplex jam sensor (DUJS) | Detects paper jam in the duplex conveying section. |
| 12. Duplex sensor (DUS) | Detects paper jam in the rear unit. |
| 13. Toner sensor (TS) | Detects the toner in the toner container. |
| 14. Waste toner sensor (WTS)..... | Detects the waste toner box being full. |
| 15. Envelope switch-R (EVSW-R) | Detects the position of the envelope switch (right). |
| 16. Envelope switch-L (EVSW-L)..... | Detects the position of the envelope switch (left). |
| 17. Envelope feeder switch (EVFSW)..... | Detects optional envelope feeder. |

- 18. Fuser unit switch (FUSW) Detects open/close rear unit (fuser unit).
- 19. Temperature sensor (TEMS)..... Detects the ambient temperature and absolute humidity.
- 20. Fuser thermistor 1 (FTH1) Measures the heat roller temperature.
- 21. Fuser thermistor 2 (FTH2) Measures the heat roller (center) temperature.
- 22. Home position sensor (HPS) Detects the ISU in the home position.

(3) Motors

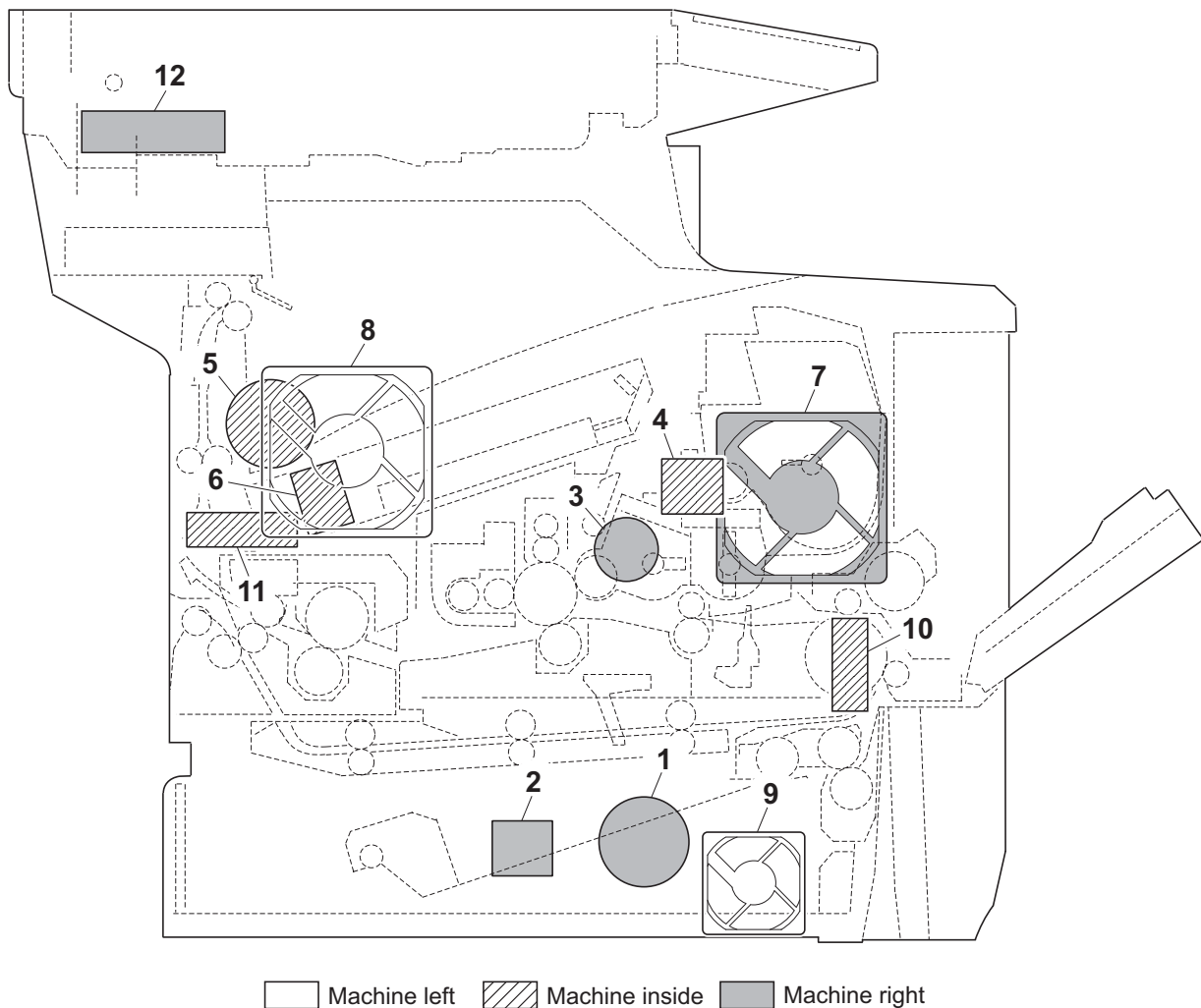
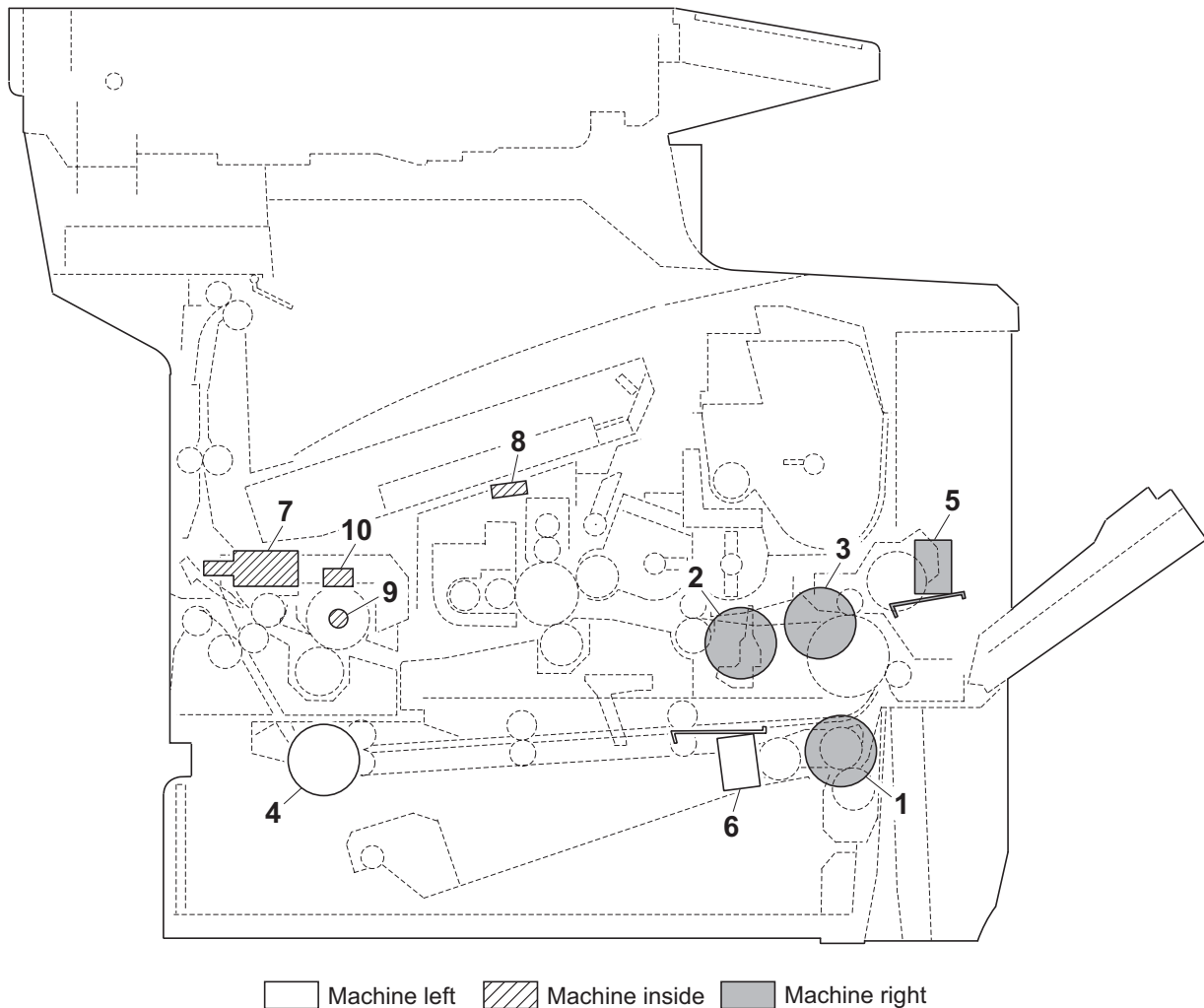
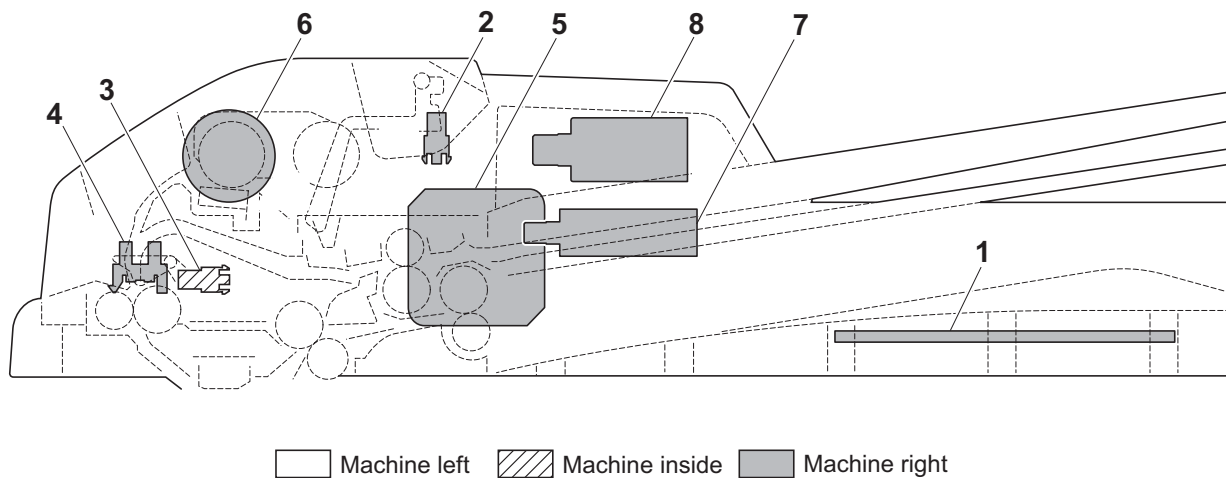


Figure 2-2-3 Motors

- 1. Main motor (MM)..... Drives the paper feed/conveying section and fuser unit.
- 2. Lift motor (LM)..... Operates the bottom plate in the paper cassette.
- 3. Drum motor (DRM) Drives the drum unit and developing unit.
- 4. Toner motor (TM) Replenishes the developing unit with toner.
- 5. Switchback motor (SBM) Drives paper eject (switchback) section.
- 6. Polygon motor (PM) Drives the polygon mirror.
- 7. Right fan motor (RFM) Cools the interior of machine.
- 8. Left fan motor (LFM) Cools the interior of machine.
- 9. Power source fan motor (PSFM) Cools the power source unit.
- 10. Feed fan motor (FFM)..... Cools the paper feed conveying section and duplex conveying section.
- 11. Eject fan motor (EFM)..... Disperses steam.
- 12. ISU motor (ISUM) Drives the ISU.

(4) Other electrical components**Figure 2-2-4 Other electrical components**

- | | |
|--------------------------------------|--|
| 1. Paper feed clutch (PFCL) | Controls the paper cassette paper feed. |
| 2. Registration clutch (RCL)..... | Controls the secondary paper feed. |
| 3. Middle feed clutch (MCL)..... | Controls the paper conveying at the conveying section. |
| 4. Duplex clutch (DUCL) | Controls the paper conveying at the duplex conveying section. |
| 5. MP solenoid (MPSOL) | Controls the primary paper feed from the MP tray. |
| 6. Developing solenoid (DEVSOL)..... | Controls the developing unit drive. |
| 7. Feedshift solenoid (FSSOL)..... | Switches the output stack between face up and face down. |
| 8. Cleaning lamp (CL)..... | Eliminates the residual electrostatic charge on the drum. |
| 9. Fuser heater (FH) | Heats the heat roller. |
| 10. Fuser thermostat (FTS)..... | Shuts off the power source to the fuser heater lamp when the heat roller reaches extremely high temperature. |

(5) Document processor**Figure 2-2-5 Document processor**

1. DP drive PWB (DPDPWB)..... Consists the solenoids and clutch driver circuit and wiring relay circuit.
2. DP original sensor (DPOS)..... Detects the presence of an original.
3. DP timing sensor (DPTS)..... Detects the original scanning timing.
4. DP open/close sensor (DPOCS)..... Detects the opening/closing of the DP.
5. DP paper feed motor (DPPFM)..... Drives the original feed section.
6. DP paper feed clutch (DPPFCL)..... Controls the drive of the forwarding pulley and feed pulley.
7. DP switchback solenoid (DPSBSOL).... Operates the switchback guide.
8. DP pressure solenoid (DPPRSOL)..... Operates the switchback pulley.

This page is intentionally left blank.

2-3-1 Power source PWB

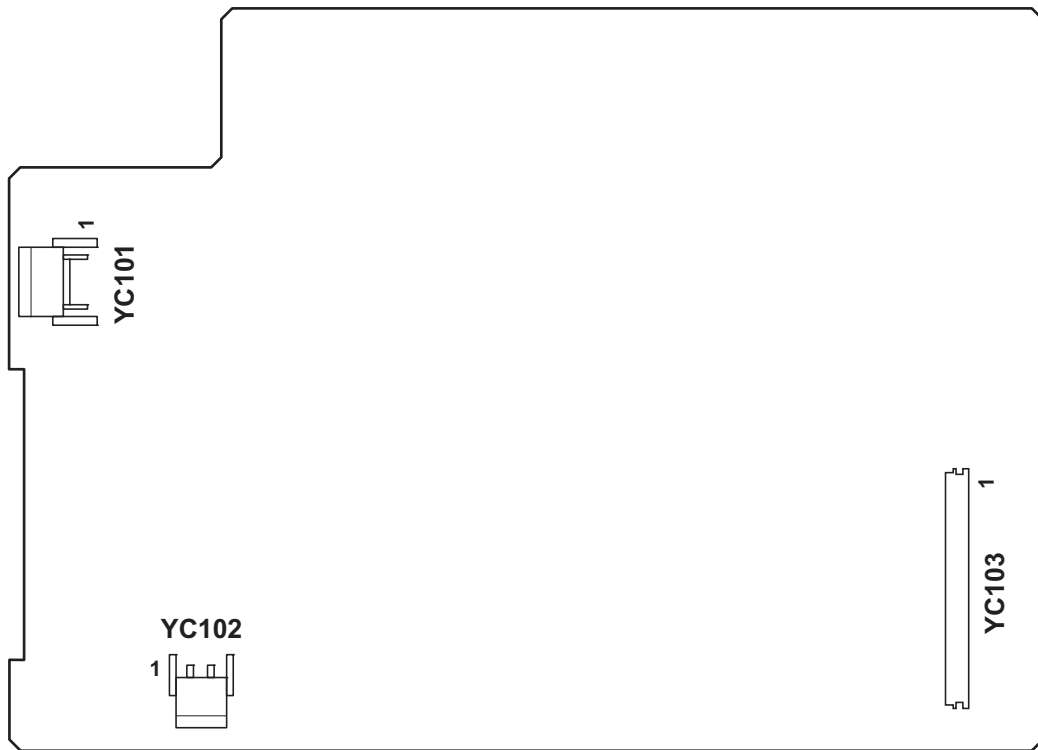


Figure 2-3-1 Power source PWB silk-screen diagram

Connector	Pin	Signal	I/O	Voltage	Description	
YC101	1	LIVE	I	120 V AC 220-240 V AC	AC power input	
	Connected to AC inlet and main power switch	2	NEUTRAL	I	120 V AC 220-240 V AC	AC power input
YC102	1	COMMON1	O	120 V AC/0V 220-240 V AC/0V	FH: On/Off	
	Connected to relay PWB	2	N.C	-	-	Not used
	3	LIVE	O	120 V AC 220-240 V AC	AC power to RYPWB	
YC103	1	+5V1	O	5 V DC	5 V DC power to CPWB-L	
	Connected to connect-L PWB	2	+5V1	O	5 V DC	5 V DC power to CPWB-L
		3	+5V1	O	5 V DC	5 V DC power to CPWB-L
		4	+24V1	O	24 V DC	24 V DC power to CPWB-L
		5	HUNITN	O	0/5 V DC	EVFSW: On/Off
		6	HANDSN	O	0/5 V DC	MPPS: On/Off
		7	N.C.	-	-	Not used
		8	HEATONN1	I	0/5 V DC	FH: On/Off
		9	ZCROSS	O	0/5 V DC (pulse)	Zero-cross signal
		10	SWSLEEPN	I	0/5 V DC	Sleep mode signal: On/Off
		11	+24V2	O	24 V DC	24 V DC power to CPWB-L (via ILSW)
		12	GND	-	-	Ground
		13	GND	-	-	Ground
		14	GND	-	-	Ground
		15	GND	-	-	Ground
		16	+24V2	O	24 V DC	24 V DC power to CPWB-L (via ILSW)
		17	+24V2	O	24 V DC	24 V DC power to CPWB-L (via ILSW)

2-3-2 Engine PWB

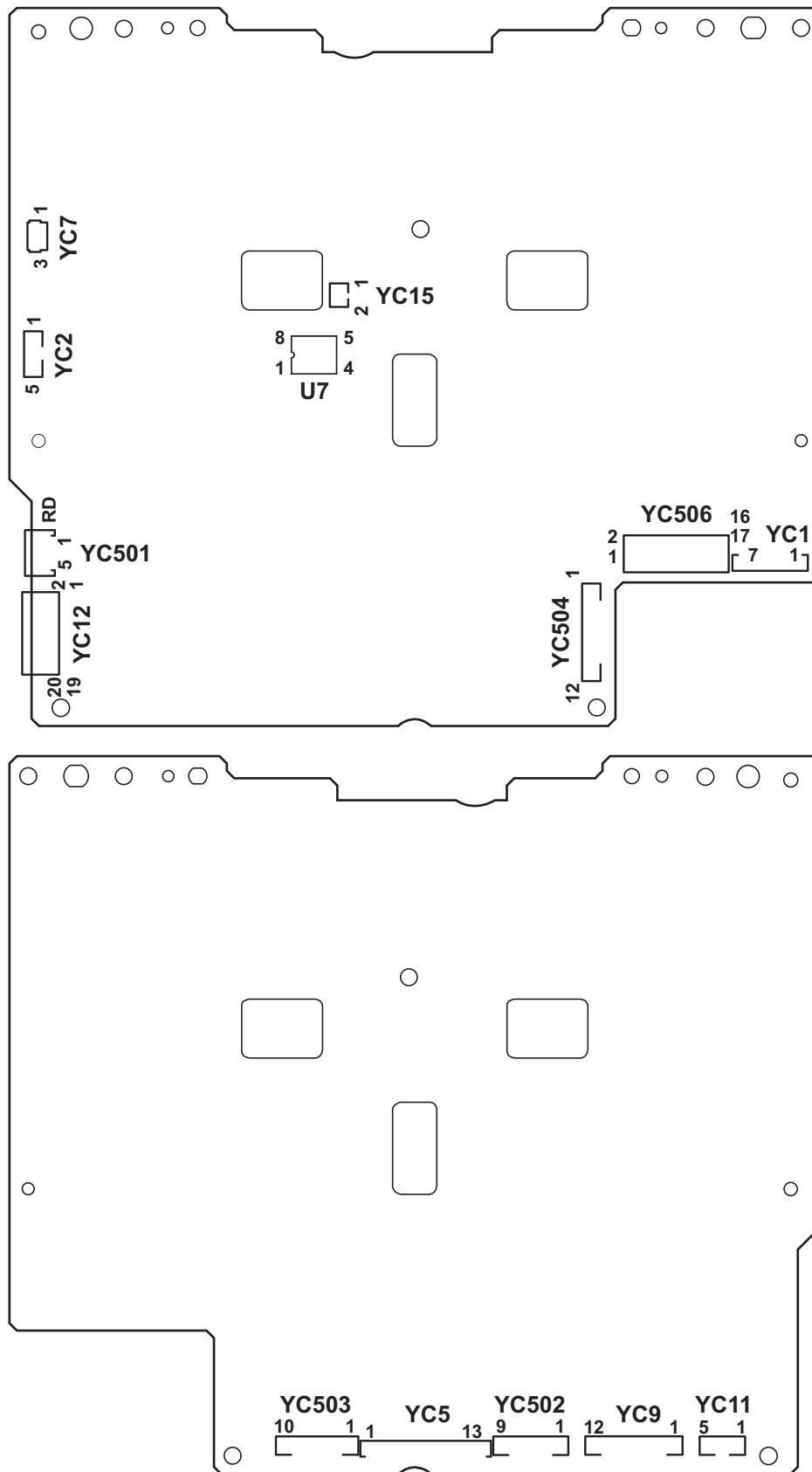


Figure 2-3-2 Engine PWB silk-screen diagram

Connector	Pin	Signal	I/O	Voltage	Description
YC5	1	OPSDO	O	0/5 V DC (pulse)	Serial communication data signal output
Connected to connect-L PWB	2	+24V2	I	24 V DC	24 V DC power from CPWB-L (via ILSW)
	3	+24V2	I	24 V DC	24 V DC power from CPWB-L (via ILSW)
	4	GND	-	-	Ground
	5	GND	-	-	Ground
	6	GND	-	-	Ground
	7	GND	-	-	Ground
	8	GND	-	-	Ground
	9	+24V1	I	24 V DC	24 V DC power from CPWB-L
	10	+5V1	I	5 V DC	5 V DC power from CPWB-L
	11	+5V1	I	5 V DC	5 V DC power from CPWB-L
	12	+5V1	I	5 V DC	5 V DC power from CPWB-L
	13	+5V2	O	5 V DC	5 V DC power to CPWB-L
YC7	1	GND	-	-	Ground
Connected to lift sensor	2	LIFTSEN	I	0/5 V DC	LS: On/Off
	3	+5V2	O	5 V DC	5 V DC power to LS
YC9	1	WETCLK2	O	0/5 V DC (pulse)	TEMS clock signal
Connected to connect-R PWB			I	Analog	TEMS detection voltage (humidity)
	2	WETCLK1	O	0/5 V DC (pulse)	TEMS clock signal
	3	+5V1	O	5 V DC	5 V DC power to CPWB-R
	4	AIRTEMP	I	Analog	TEMS detection voltage (temperature)
	5	RFANDRN	O	0/12/24 V DC	RFM: Full speed/Half speed/Off
	6	+24V1	O	24 V DC	24 V DC power to CPWB-R
	7	MPFDRN	O	0/24 V DC	MPSOL: On/Off
	8	OUTB2	O	0/24 V DC (pulse)	SBM drive control signal
	9	OUTB1	O	0/24 V DC (pulse)	SBM drive control signal
	10	OUTA2	O	0/24 V DC (pulse)	SBM drive control signal
	11	OUTA1	O	0/24 V DC (pulse)	SBM drive control signal
12	GND	-	-	Ground	
YC11	1	+24V4	O	24 V DC	24 V DC power to DRM
Connected to drum motor	2	GND	-	-	Ground
	3	DMOTRDYN	I	0/5 V DC	DRM ready signal
	4	DMOTCLK	O	0/5 V DC (pulse)	DRM clock signal
	5	DMOTONN	O	0/5 V DC	DRM: On/Off

Connector	Pin	Signal	I/O	Voltage	Description
YC12	1	POLRDYN	I	0/5 V DC	PM ready signal
Connected to main PWB	2	POLONN	O	0/5 V DC	PM: On/Off
	3	OUTPEN	O	0/5 V DC	Laser output enable signal
	4	PDMASKN	O	0/5 V DC	Horizontal synchronizing signal
	5	SBSY	O	0/5 V DC	Serial busy signal
	6	SDIR	O	0/5 V DC	Serial communication direction change signal
	7	EGIRN	O	0/5 V DC	Engine interruption signal
	8	EGSI	I	0/5 V DC (pulse)	Serial communication data signal input
	9	EGSO	O	0/5 V DC (pulse)	Serial communication data signal output
	10	SCKN	I	0/5 V DC (pulse)	Serial communication clock signal
	11	RESETN	O	0/5 V DC	Reset signal
	12	+24V5	O	24 V DC	24 V DC power to MPWB
	13	+5V1	O	5 V DC	5 V DC power to MPWB
	14	+5V1	O	5 V DC	5 V DC power to MPWB
	15	GND	-	-	Ground
	16	+5V1	O	5 V DC	5 V DC power to MPWB
	17	GND	-	-	Ground
	18	GND	-	-	Ground
	19	GND	-	-	Ground
	20	+24V4	O	24 V DC	24 V DC power to MPWB
	YC15	1	+5V1	O	5 V DC
Connected to feed fan motor	2	FFANDRN	O	0/2.5/5 V DC	FFM: Full speed/Half speed/Off
YC501	1	+24V4	O	24 V DC	24 V DC power to MM
Connected to main motor	2	GND	-	-	Ground
	3	MMOTONN	O	0/5 V DC	MM ready signal
	4	MMOTRDYN	I	0/5 V DC	MM clock signal
	5	MMOTCLK	O	0/5 V DC (pulse)	MM: On/Off

Connector	Pin	Signal	I/O	Voltage	Description
YC502	1	LMOTON	O	0/24 V DC	LM: On/Off
Connected to connect-R PWB	2	DUDRN	O	0/24 V DC	DUCL: On/Off
	3	DLPDRN	O	0/24 V DC	DEVSOL: On/Off
	4	MIDDRN	O	0/24 V DC	MCL: On/Off
	5	+24V2	O	24 V DC	24 V DC power to CPWB-R
	6	+24V2	O	24 V DC	24 V DC power to CPWB-R
	7	REGDRN	O	0/24 V DC	RCL: On/Off
	8	FEEDRN	O	0/24 V DC	PFCL: On/Off
	9	EXITFAN	O	0/24 V DC	EFM: On/Off
YC503	1	NC	-	-	Not used
Connected to connect-L PWB	2	HEATONN1	O	0/5 V DC	FH: On/Off
	3	ZCROSS	I	0/5 V DC (pulse)	Zero-cross signal
	4	SWSLEEPN	O	0/5 V DC	Sleep mode signal: On/Off
	5	HANDSN	I	0/5 V DC	MPPS: On/Off
	6	HPAP	I	0/5 V DC	EVFSW: On/Off
	7	SWFAN	O	0/24 V DC	PSFM: On/Off
	8	CASET	I	Analog	CSSW detection voltage
	9	TNMOT	O	0/24 V DC	TM: On/Off
	10	TNLEVEL	I	Analog	TS detection voltage
	YC504	1	OPSDI	I	0/5 V DC (pulse)
Connected to connect-L PWB	2	OPSEL2	O	0/5 V DC	Paper feeder select signal (2)
	3	OPSEL1	O	0/5 V DC	Paper feeder select signal (1)
	4	OPSEL0	O	0/5 V DC	Paper feeder select signal (0)
	5	OPRDYN	I	0/5 V DC	Paper feeder ready signal
	6	OPSCCLK	O	0/5 V DC (pulse)	Serial communication clock signal
	7	WTNLEDN	O	0/5 V DC (pulse)	WTS (light emission) control signal
	8	ERASER	O	24/0 V DC	CL: On/Off
	9	EEDIO	I/O	0/5 V DC (pulse)	DRPWB EEPROM data signal
	10	EECLK	O	0/5 V DC (pulse)	DRPWB clock signal
	11	LFANDRN	O	0/12/24 V DC	LFM: Full speed/Half speed/Off
	12	WTNFUL	I	0/5 V DC (pulse)	WTS detection signal

Connector	Pin	Signal	I/O	Voltage	Description
YC506	1	FUSER-L	I	2 to 5 V DC	EVSW-L detection voltage
Connected to fuser unit	2	FUSER-R	I	2 to 5 V DC	EVSW-R detection voltage
	3	+5V1	O	5 V DC	5 V DC power to fuser unit
	4	THERM3	-	-	Not used
	5	+5V2	O	5 V DC	5 V DC power to ES
	6	EXITPAP	I	0/5 V DC	ES: On/Off
	7	GND	-	-	Ground
	8	THERM1	I	Analog	FTH1 detection voltage
	9	+5V1	O	5 V DC	5 V DC power to FTH1
	10	FDDRN	O	0/24 V DC	FSSOL: On/Off
	11	+24V2	O	24 V DC	24 V DC power to FSSOL
	12	FUDRN	O	0/24 V DC	FSSOL: On/Off
	13	+5V2	O	5 V DC	5 V DC power to DUS
	14	DUPAP	I	0/5 V DC	DUS: On/Off
	15	GND	-	-	Ground
	16	+5V1	O	5 V DC	5 V DC power to FTH2
	17	THERM2	I	Analog	FTH2 detection voltage

2-3-3 Main PWB

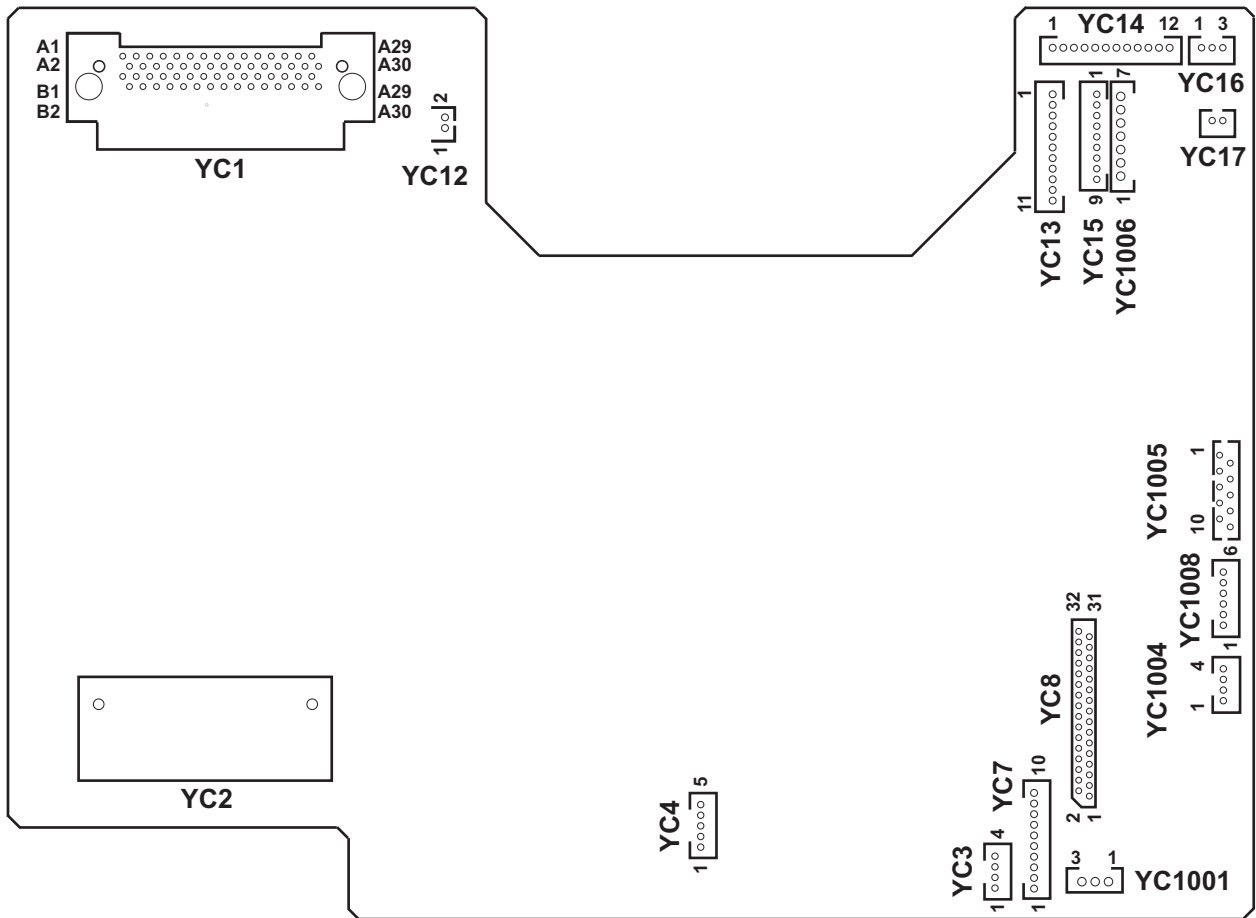


Figure 2-3-3 Main PWB silk-screen diagram

Connector	Pin	Signal	I/O	Voltage	Description
YC1	A1	NC	-	-	Not used
Connected to FAX control PWB	B1	NC	-	-	Not used
	A2	NC	-	-	Not used
	B2	TXDREQ	I	0/3.3 V DC	Transmission DMA request signal
	A3	AUDIO	I	0/3.3 V DC	Audio signal
	B3	3.3V	O	3.3 V DC	3.3 V DC power output
	A4	3.3V	O	3.3 V DC	3.3 V DC power output
	B4	A15	O	0/3.3 V DC (pulse)	Address bus signal
	A5	GND	-	-	Ground
	B5	A14	O	0/3.3 V DC (pulse)	Address bus signal
	A6	A13	O	0/3.3 V DC (pulse)	Address bus signal
	B6	A12	O	0/3.3 V DC (pulse)	Address bus signal
	A7	A11	O	0/3.3 V DC (pulse)	Address bus signal
	B7	A10	O	0/3.3 V DC (pulse)	Address bus signal
	A8	A9	O	0/3.3 V DC (pulse)	Address bus signal
	B8	A8	O	0/3.3 V DC (pulse)	Address bus signal
	A9	GND	-	-	Ground
	B9	A7	O	0/3.3 V DC (pulse)	Address bus signal
	A10	A6	O	0/3.3 V DC (pulse)	Address bus signal
	B10	A5	O	0/3.3 V DC (pulse)	Address bus signal
	A11	A4	O	0/3.3 V DC (pulse)	Address bus signal
	B11	A3	O	0/3.3 V DC (pulse)	Address bus signal
	A12	A2	O	0/3.3 V DC (pulse)	Address bus signal
	B12	A1	O	0/3.3 V DC (pulse)	Address bus signal
	A13	GND	-	-	Ground
	B13	3.3V	-	3.3 V DC	3.3 V DC power output
	A14	OP2IFN	O	0/3.3 V DC	Select signal
	B14	OP2ACKN	I	0/3.3 V DC (pulse)	OP2ACKN signal
	A15	OP2IRN	I	0/3.3 V DC	Interruption signal
	B15	5V	-	5 V DC	5 V DC power output
	A16	RDY	O	0/3.3 V DC	Ready signal
	B16	RXDREQ	I	0/3.3 V DC	Reception DMA request signal
A17	GND	-	-	Ground	
B17	RXDMACKN	O	0/3.3 V DC (pulse)	Reception DMAACK signal	
A18	IORN	O	0/3.3 V DC	Read enable signal	
B18	IOWN	O	0/3.3 V DC	Write enable signal	
A19	RESETN	O	0/3.3 V DC	Reset signal	

Connector	Pin	Signal	I/O	Voltage	Description
YC1	B19	TXDMAACKN	I	0/3.3 V DC	Transmission DMAACK signal
Connected to FAX control PWB	A20	D15	I/O	0/3.3 V DC (pulse)	Data bus signal
	B20	D14	I/O	0/3.3 V DC (pulse)	Data bus signal
	A21	GND	-	-	Ground
	B21	D13	I/O	0/3.3 V DC (pulse)	Data bus signal
	A22	D12	I/O	0/3.3 V DC (pulse)	Data bus signal
	B22	D11	I/O	0/3.3 V DC (pulse)	Data bus signal
	A23	D10	I/O	0/3.3 V DC (pulse)	Data bus signal
	B23	D9	I/O	0/3.3 V DC (pulse)	Data bus signal
	A24	D8	I/O	0/3.3 V DC (pulse)	Data bus signal
	B24	D7	I/O	0/3.3 V DC (pulse)	Data bus signal
	A25	GND	-	-	Ground
	B25	D6	I/O	0/3.3 V DC (pulse)	Data bus signal
	A26	D5	I/O	0/3.3 V DC (pulse)	Data bus signal
	B26	D4	I/O	0/3.3 V DC (pulse)	Data bus signal
	A27	D3	I/O	0/3.3 V DC (pulse)	Data bus signal
	B27	D2	I/O	0/3.3 V DC (pulse)	Data bus signal
	A28	D1	I/O	0/3.3 V DC (pulse)	Data bus signal
	B28	D0	I/O	0/3.3 V DC (pulse)	Data bus signal
	A29	GND	-	-	Ground
	B29	NC	-	-	Not used
A30	NC	-	-	Not used	
B30	NC	-	-	Not used	
YC3	1	VBUS	O	5 V DC	5 V DC power output
Connected to USB	2	DATA-	I/O	-	USB data signal
	3	DATA+	I/O	-	USB data signal
	4	GND	-	-	Ground
YC4	1	TCT	O	3.3 V DC	3.3 V DC power output
Connected to ethernet/USB	2	TD+	O	0/3.3 V DC (pulse)	Transmission data
	3	TD-	O	0/3.3 V DC (pulse)	Transmission data
	4	RD+	I	0/3.3 V DC (pulse)	Received data
	5	RD-	I	0/3.3 V DC (pulse)	Received data
	6	RCT	O	3.3 V DC	3.3 V DC power output
	7	100B_LED_K	-	-	100 Base/10 Base display
	8	100B_LED_A	-	-	100 Base/10 Base display
	9	LINK_LED_K	-	-	LINK LED
	10	LINK_LED_A	-	-	LINK LED

Connector	Pin	Signal	I/O	Voltage	Description
YC4 Connected to ethernet/USB	U1	VBUS	O	5 V DC	5 V DC power output
	U2	DATA-	I/O	-	USB data signal
	U3	DATA+	I/O	-	USB data signal
	U4	GND	-	-	Ground
YC7 Connected to operation panel PWB	1	GND	-	-	Ground
	2	PANCTS	I		Transmitting enable signal
	3	PANRTS	O		Receiving enable signal
	4	+3.3V	O	3.3 V DC	3.3 V DC power to OPPWB
	5	PANRXD	O	0/3.3 V DC (pulse)	OPPWB received data
	6	PANTXD	I	0/3.3 V DC (pulse)	OPPWB transmission data
	7	FPRSTN	O	0/3.3 V DC	OPPWB reset signal
	8	GND	-	-	Ground
	9	POWERKEY	I	0/3.3 V DC	Power key input signal
	10	+5V1	-	5 V DC	5 V DC power output
YC8 Connected to CCD PWB	1	LAMP	O	0/24 V DC	EL drive signal
	2	NC	-	-	Not used
	3	GND	-	-	Ground
	4	GND	-	-	Ground
	5	HPSW	I	0/3.3 V DC	HPS: On/Off
	6	+3.3V	O	3.3 V DC	3.3 V DC power to CCDPWB
	7	GND	-	-	Ground
	8	CCDRSN	O	LVDS	CCD reset signal
	9	CCDRSP	O	LVDS	CCD reset signal
	10	GND	-	-	Ground
	11	CCDCLPP	O	LVDS	CCD clamp signal
	12	CCDCLPN	O	LVDS	CCD clamp signal
	13	GND	-	-	Ground
	14	CCDPH1N	O	LVDS	CCD shift register clock signal
	15	CCDPH1P	O	LVDS	CCD shift register clock signal
	16	GND	-	-	Ground
	17	CCDPH2P	O	LVDS	CCD shift register clock signal
	18	CCDPH2N	O	LVDS	CCD shift register clock signal
	19	GND	-	-	Ground
	20	CCDSH	O	0/3.3 V DC	CCD shift gate signal
	21	CCDSW	O	0/3.3 V DC	CCD color/BW change signal
	22	GND	-	-	Ground
	23	CCDDATAR	I	Analog	CCD image output signal (R)

Connector	Pin	Signal	I/O	Voltage	Description
YC8	24	GND	-	-	Ground
Connected to CCD PWB	25	CCDDATAG	I	Analog	CCD image output signal (G)
	26	GND	-	-	Ground
	27	CCDDATAB	I	Analog	CCD image output signal (B)
	28	GND	-	-	Ground
	29	+12V	O	DC12V	12 V DC power to CCDPWB
	30	GND	-	-	Ground
	31	+5V1	O	5 V DC	5 V DC power to CCDPWB
	32	+5V1	O	5 V DC	5 V DC power to CCDPWB
YC12	1	OUT-	O	Analog	Speaker sound signal (-)
Connected to speaker	2	OUT+	O	Analog	Speaker sound signal (+)
	YC13	1	POLRDYN	O	0/5 V DC
Connected to engine PWB	2	POLONN	I	0/5 V DC	PM: On/Off
	3	OUTPEN	I	0/5 V DC	Laser output enable signal
	4	PDMASKN	I	0/3.3 V DC	Horizontal synchronizing signal
	5	SBSY	I	0/3.3 V DC	Serial busy signal
	6	SDIR	I	0/3.3 V DC	Serial communication direction change signal
	7	EGIRN	I	0/3.3 V DC	Engine interruption signal
	8	EGSI	O	0/3.3 V DC (pulse)	Serial communication data signal input
	9	EGSO	I	0/3.3 V DC (pulse)	Serial communication data signal output
	10	SCKN	O	0/3.3 V DC (pulse)	Serial communication clock signal
	11	RESETN	I	0/5 V DC	Reset signal
YC14	1	+24V5	O	24 V DC	24 V DC power to PM
Connected to laser scanner unit	2	GND	-	-	Ground
	3	POLONN	O	0/5 V DC	PM: On/Off
	4	POLRDYN	I	0/5 V DC	PM ready signal
	5	POLCLK	O	0/5 V DC (pulse)	Serial communication clock signal
	6	GND	-	-	Ground
	7	VATAN1	O		Video data signal (-)
	8	VATAP1	O		Video data signal (+)
	9	OUTPEN	O	0/5 V DC	Laser output enable signal
	10	SAMPLEN1	O	0/3.3 V DC	Sample/hold signal
	11	+5V3		5 V DC	5 V DC power to APCPWB
	12	NC	-	-	Not used

Connector	Pin	Signal	I/O	Voltage	Description
YC15 Connected to engine PWB	1	+24V5	I	24 V DC	24 V DC power from EPWB
	2	+5V1	I	5 V DC	5 V DC power from EPWB
	3	+5V1	I	5 V DC	5 V DC power from EPWB
	4	GND	-	-	Ground
	5	+5V1	I	5 V DC	5 V DC power from EPWB
	6	GND	-	-	Ground
	7	GND	-	-	Ground
	8	GND	-	-	Ground
	9	+24V4	I	24 V DC	24 V DC power from EPWB
YC16 Connected to PD PWB	1	+3.3V	-	3.3 V DC	3.3 V DC power to PDPWB
	2	PDN	I	0/5 V DC (pulse)	Horizontal synchronizing signal
	3	GND	-	-	Ground
YC1001 Connected to connect-L PWB	1	+24V1	I	24 V DC	24 V DC power from CPWB-L
	2	NC	-	-	Not used
	3	GND	-	-	Ground
YC1004 Connected to ISU motor	1	SCMOT1A	O	0/24 V DC (pulse)	ISUM drive control signal
	2	SCMOT2B	O	0/24 V DC (pulse)	ISUM drive control signal
	3	SCMOT1B	O	0/24 V DC (pulse)	ISUM drive control signal
	4	SCMOT2A	O	0/24 V DC (pulse)	ISUM drive control signal
YC1005 Connected to DP drive PWB	1	FEEDCL	O	0/24 V DC	DPPFCL: On/Off
	2	REVSOL	O	0/24 V DC	DPSBSOL: On/Off
	3	PRESOLN	O	0/24 V DC	DPPRSOL: On (Press)/Off
	4	RELSOLN	O	0/24 V DC	DPPRSOL: On (Release)/Off
	5	DPDETN	I	0/3.3 V DC	DP set signal
	6	OPSWN	I	0/3.3 V DC	DPOCS: On/Off
	7	ORGSWN	I	0/3.3 V DC	DPOS: On/Off
	8	TIMSWN	I	0/3.3 V DC	DPTS: On/Off
	9	GND	-	-	Ground
	10	+3.3V	O	3.3 V DC	3.3 V DC power to DPDPWB
YC1008 Connected to DP drive PWB	1	MOT1A	O	0/24 V DC (pulse)	DPPFM drive control signal
	2	MOT2A	O	0/24 V DC (pulse)	DPPFM drive control signal
	3	MOT1B	O	0/24 V DC (pulse)	DPPFM drive control signal
	4	MOT2B	O	0/24 V DC (pulse)	DPPFM drive control signal
	5	+24V6	O	24 V DC	24 V DC power to PDPWB
	6	GND	-	-	Ground

2-3-4 Connect-L PWB

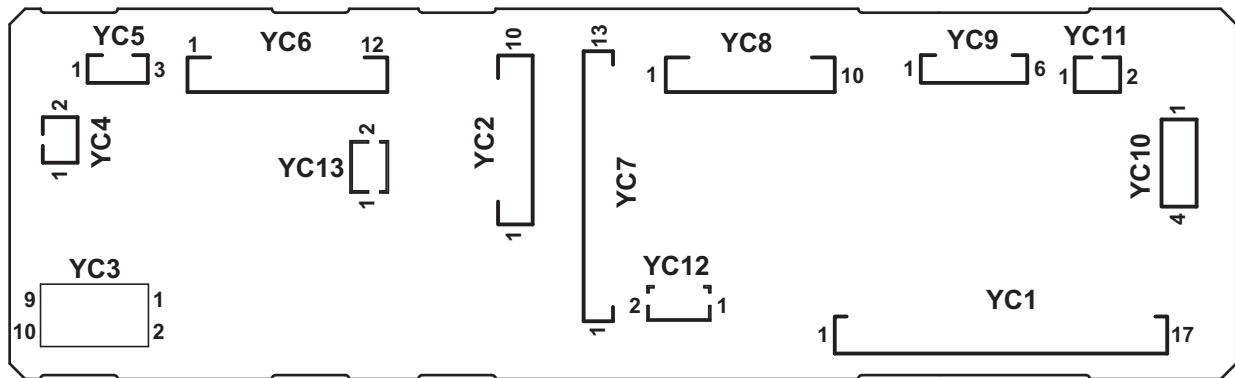


Figure 2-3-4 Connect-L PWB silk-screen diagram

Connector	Pin	Signal	I/O	Voltage	Description
YC1 Connected to power source PWB	1	+24V2	I	24 V DC	24 V DC power from PSPWB (via ILSW)
	2	+24V2	I	24 V DC	24 V DC power from PSPWB (via ILSW)
	3	GND	-	-	Ground
	4	GND	-	-	Ground
	5	GND	-	-	Ground
	6	GND	-	-	Ground
	7	+24V2	I	24 V DC	24 V DC power from PSPWB (via ILSW)
	8	SWSLEEPN	O	0/5 V DC	Sleep mode signal: On/Off
	9	ZCROSS	I	0/5 V DC (pulse)	Zero-cross signal
	10	HEATONN1	O	0/5 V DC	FH: On/Off
	11	N.C.	-	-	Not used
	12	HANDSN	I	0/5 V DC	MPPS: On/Off
	13	HUNITN	I	0/5 V DC	EVFSW: On/Off
	14	+24V1	I	24 V DC	24 V DC power from PSPWB
	15	+5V1	I	5 V DC	5 V DC power from PSPWB
	16	+5V1	I	5 V DC	5 V DC power from PSPWB
	17	+5V1	I	5 V DC	5 V DC power from PSPWB
YC2 Connected to paper feeder	1	+24V1	O	24 V DC	24 V DC power to paper feeder
	2	OPCLK	O	0/5 V DC (pulse)	Serial communication clock signal
	3	+5V1	O	5 V DC	5 V DC power to paper feeder
	4	OPRDYN	I	0/5 V DC	Paper feeder ready signal
	5	OPSEL0	O	0/5 V DC	Paper feeder select signal (0)
	6	OPSEL1	O	0/5 V DC	Paper feeder select signal (1)
	7	OPSEL2	O	0/5 V DC	Paper feeder select signal (2)
	8	OPSDI	I	0/5 V DC (pulse)	Serial communication data signal input
	9	OPSDO	O	0/5 V DC (pulse)	Serial communication data signal output
	10	GND	-	-	Ground
YC3 Connected to drum PWB	1	GND	-	-	Ground
	2	ERASER	O	0/24 V DC	CL: On/Off
	3	GND	-	-	Ground
	4	WTNLEDN	O	0/5 V DC (pulse)	WTS (light emission) control signal
	5	EECLK	O	0/5 V DC (pulse)	DRPWB clock signal
	6	WTNFUL	I	0/5 V DC (pulse)	WTS detection signal
	7	EEDIO	I/O	0/5 V DC (pulse)	DRPWB EEPROM data signal
	8	+5V2	O	5 V DC	5 V DC power to DRPWB
	9	GND	-	-	Ground
	10	+5V2	O	5 V DC	5 V DC power to DRPWB

Connector	Pin	Signal	I/O	Voltage	Description	
YC4	1	+24V1	O	24 V DC	24 V DC power to LFM	
	Connected to left fan motor	2	LFANDRN	O	0/12/24 V DC	LFM: Full speed/Half speed/Off
YC5	1	GND	-	-	Ground	
	Connected to paper full sensor	2	FDPFULN	I	0/5 V DC	PFS: On/Off
	3	+5V2	O	5 V DC	5 V DC power to PFS	
YC6	1	WTNFUL	O	0/5 V DC (pulse)	WTS detection signal	
	Connected to engine PWB	2	LFANDRN	I	0/12/24 V DC	LFM: Full speed/Half speed/Off
	3	EECLK	I	0/5 V DC (pulse)	DRPWB clock signal	
	4	EEDIO	I/O	0/5 V DC (pulse)	DRPWB EEPROM data signal	
	5	ERASER	I	24/0 V DC	CL: On/Off	
	6	WTNLEDN	I	0/5 V DC (pulse)	WTS (light emission) control signal	
	7	OPSCCLK	I	0/5 V DC (pulse)	Serial communication clock signal	
	8	OPRDYN	O	0/5 V DC	Paper feeder ready signal	
	9	OPSEL0	I	0/5 V DC	Paper feeder select signal (0)	
	10	OPSEL1	I	0/5 V DC	Paper feeder select signal (1)	
	11	OPSEL2	I	0/5 V DC	Paper feeder select signal (2)	
	12	OPSDI	O	0/5 V DC (pulse)	Serial communication data signal output	
YC7	1	OPSDO	I	0/5 V DC (pulse)	Serial communication data signal output	
	Connected to engine PWB	2	+24V2	O	24 V DC	24 V DC power to EPWB (via ILSW)
	3	+24V2	O	24 V DC	24 V DC power to EPWB (via ILSW)	
	4	GND	-	-	Ground	
	5	GND	-	-	Ground	
	6	GND	-	-	Ground	
	7	GND	-	-	Ground	
	8	GND	-	-	Ground	
	9	+24V1	O	24 V DC	24 V DC power to EPWB	
	10	+5V1	O	5 V DC	5 V DC power to EPWB	
	11	+5V1	O	5 V DC	5 V DC power to EPWB	
	12	+5V1	O	5 V DC	5 V DC power to EPWB	
	13	+5V2	I	5 V DC	5 V DC power from EPWB	

Connector	Pin	Signal	I/O	Voltage	Description
YC8 Connected to engine PWB	1	TNLEVEL	O	Analog	TS detection voltage
	2	TNMOT	I	0/24 V DC	TM: On/Off
	3	CASET	O	Analog	CSSW detection voltage
	4	SWFAN	I	0/24 V DC	PSFM: On/Off
	5	HPAP	O	0/5 V DC	EVFSW: On/Off
	6	HANDSN	O	0/5 V DC	MPPS: On/Off
	7	SWSLEEPN	I	0/5 V DC	Sleep mode signal: On/Off
	8	ZCROSS	O	0/5 V DC (pulse)	Zero-cross signal
	9	HEATONN1	I	0/5 V DC	FH: On/Off
	10	NC	-	-	Not used
YC9 Connected to developing PWB	1	RFDATA	I/O	0/5 V DC (pulse)	RFID data signal
	2	TNMOT	O	0/24 V DC	TM: On/Off
	3	TNLEVEL	I	Analog	TS detection voltage
	4	+5V2	O	5 V DC	5 V DC power to DEVPWB
	5	GND	-	-	Ground
	6	RFCLK	O	0/5 V DC (pulse)	RFID clock signal
YC10 Connected to cassette size switch	1	CAS2	I	0/5 V DC	CSSW: On/Off
	2	CAS1	I	0/5 V DC	CSSW: On/Off
	3	CASET	I	Analog	CSSW detection voltage
	4	CAS0	I	0/5 V DC	CSSW: On/Off
YC11 Connected to power source fan motor	1	+24V1	O	24 V DC	24 V DC power to PSFM
	2	SWFAN	O	0/24 V DC	PSFM: On/Off
YC12 Connected to main PWB	1	+24V1	O	24 V DC	24 V DC power to MPWB
	2	GND	-	-	Ground
YC13 Connected to relay PWB	1	RELAY	O	0/5 V DC	Relay mode signal: On/Off
	2	GND	-	-	Ground

2-3-5 Connect-R PWB

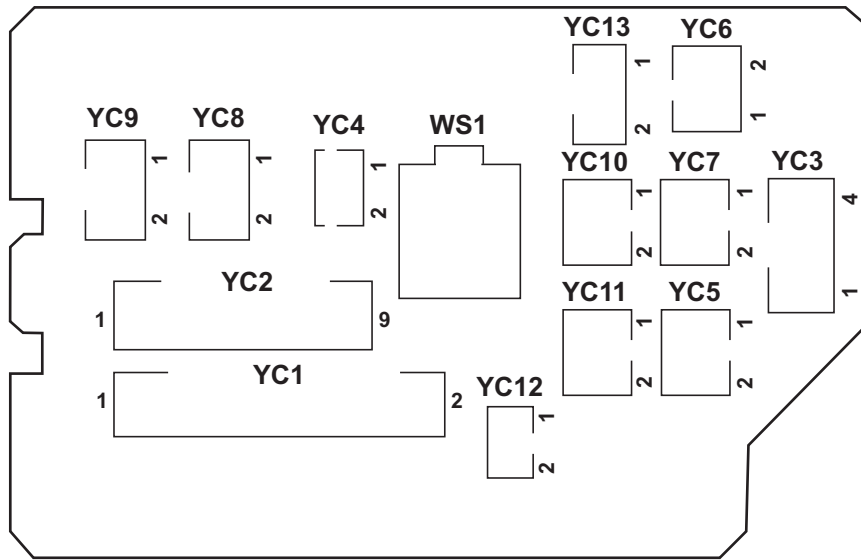


Figure 2-3-5 Connect-R PWB silk-screen diagram

Connector	Pin	Signal	I/O	Voltage	Description
YC1	1	GND	-	-	Ground
Connected to engine PWB	2	OUTA1	I	0/24 V DC (pulse)	SBM drive control signal
	3	OUTA2	I	0/24 V DC (pulse)	SBM drive control signal
	4	OUTB1	I	0/24 V DC (pulse)	SBM drive control signal
	5	OUTB2	I	0/24 V DC (pulse)	SBM drive control signal
	6	MPFDRN	I	0/24 V DC	MPSOL: On/Off
	7	+24V1	I	24 V DC	24 V DC power from EPWB
	8	RFANDRN	I	0/12/24 V DC	RFM: Full speed/Half speed/Off
	9	AIRTEMP	O	Analog	TEMS detection voltage (temperature)
	10	+5V1	I	5 V DC	5 V DC power from EPWB
	11	WETCLK1	I	0/5 V DC (pulse)	TEMS clock signal
	12	WETCLK2	I	0/5 V DC (pulse)	TEMS clock signal
				O	Analog
YC2	1	LMOTON	I	0/24 V DC	LM: On/Off
Connected to engine PWB	2	DUDRN	I	0/24 V DC	DUCL: On/Off
	3	DLPDRN	I	0/24 V DC	DEVSOL: On/Off
	4	MIDDRN	I	0/24 V DC	MCL: On/Off
	5	+24V2	I	24 V DC	24 V DC power from EPWB
	6	+24V2	I	24 V DC	24 V DC power from EPWB
	7	REGDRN	I	0/24 V DC	RCL: On/Off
	8	FEEDDRN	I	0/24 V DC	PFCL: On/Off
	9	EXITFAN	I	0/24 V DC	EFM: On/Off
	YC3	1	OUTA1	O	0/24 V DC (pulse)
Connected to switchback motor	2	OUTA2	O	0/24 V DC (pulse)	SBM drive control signal
	3	OUTB1	O	0/24 V DC (pulse)	SBM drive control signal
	4	OUTB2	O	0/24 V DC (pulse)	SBM drive control signal
	YC4	1	+24V2	O	24 V DC
Connected to developing solenoid	2	DLPDRN	O	0/24 V DC	DEVSOL: On/Off
	YC5	1	+24V2	O	24 V DC
Connected to paper feed clutch	2	FEEDDRN	O	0/24 V DC	PFCL: On/Off
	YC6	1	+24V2	O	24 V DC
Connected to registration clutch	2	REGDRN	O	0/24 V DC	RCL: On/Off

Connector	Pin	Signal	I/O	Voltage	Description
YC7 Connected to middle clutch	1	+24V2	O	24 V DC	24 V DC power to MCL
	2	MIDDRN	O	0/24 V DC	MCL: On/Off
YC8 Connected to lift motor	1	LMOTON	O	0/24 V DC	LM: On/Off
	2	GND	-	-	Ground
YC9 Connected to duplex clutch	1	+24V2	O	24 V DC	24 V DC power to DUCL
	2	DUDRN	O	0/24 V DC	DUCL: On/Off
YC10 Connected to MP solenoid	1	+24V2	O	24 V DC	24 V DC power to MPSOL
	2	MPFDRN	O	0/24 V DC	MPSOL: On/Off
YC11 Connected to right fan motor	1	+24V1	O	24 V DC	24 V DC power to RFM
	2	RFANDRN	O	0/12/24 V DC	RFM: Full speed/Half speed/Off
YC12 Connected to fuser unit switch	1	ATRTEMP	O	5 V DC	5 V DC power to FUSW
	2	ATRTEMP2	I	0/5 V DC	FUSW: On/Off
YC13 Connected to eject fan motor	1	+24V1	O	24 V DC	24 V DC power to EFM
	2	EXITFAN	O	0/24 V DC	EFM: On/Off

2-3-6 DP drive PWB

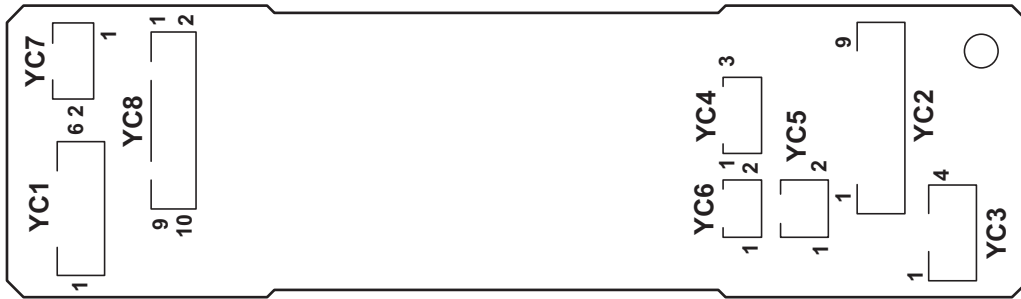


Figure 2-3-6 DP drive PWB silk-screen diagram

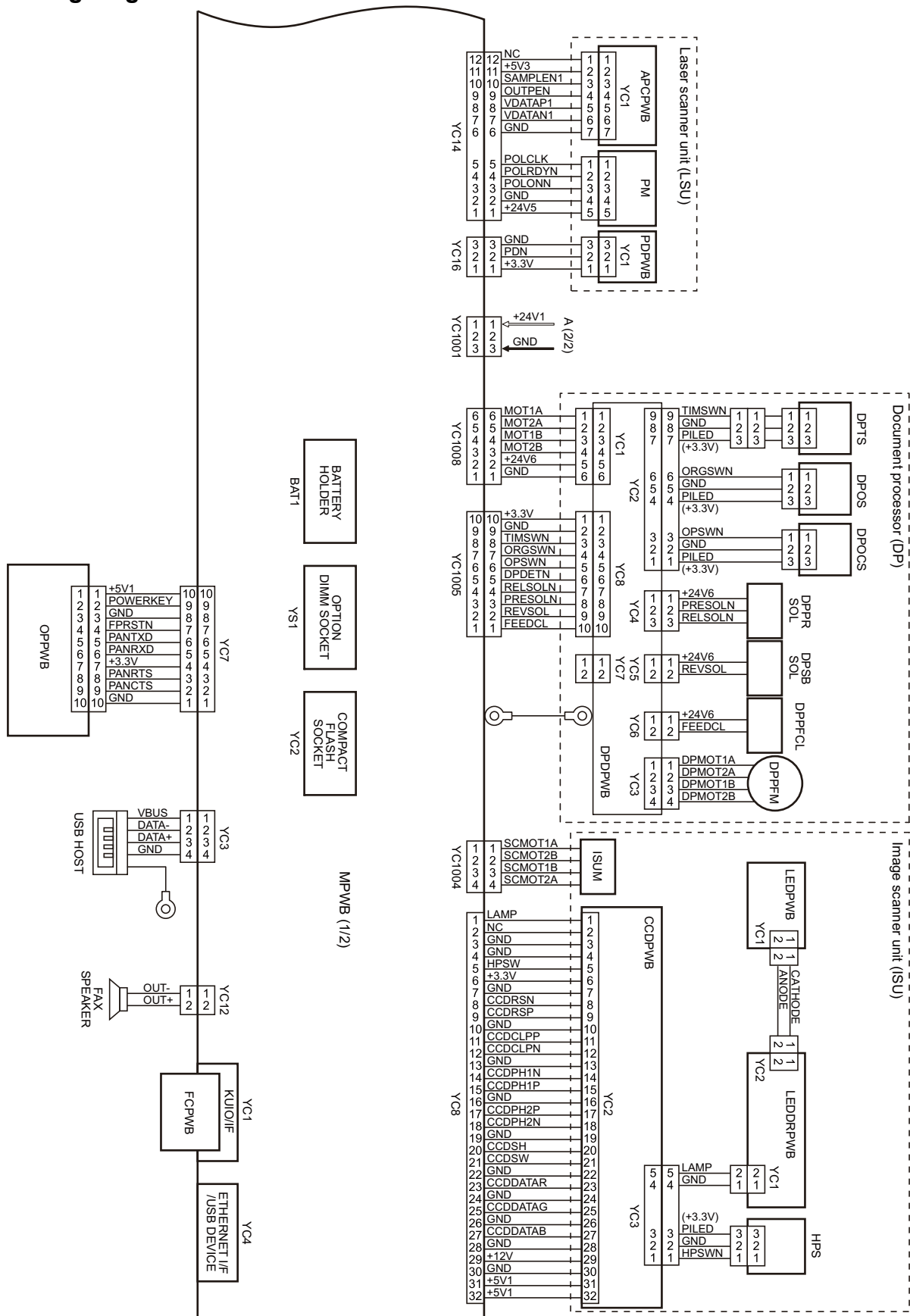
Connector	Pin	Signal	I/O	Voltage	Description
YC1 Connected to main PWB	1	MOT1A	I	0/24 V DC (pulse)	DPPFM drive control signal
	2	MOT2A	I	0/24 V DC (pulse)	DPPFM drive control signal
	3	MOT1B	I	0/24 V DC (pulse)	DPPFM drive control signal
	4	MOT2B	I	0/24 V DC (pulse)	DPPFM drive control signal
	5	+24V6	I	24 V DC	24 V DC power from MPWB
	6	GND	-	-	Ground
YC2 Connected to DP open/close sensor, DP original sensor and DP timing sensor	1	PILED	O	3.3 V DC	3.3 V DC power to DPOCS
	2	GND	-	-	Ground
	3	OPSWN	I	0/3.3 V DC	DPOCS: On/Off
	4	PILED	O	3.3 V DC	3.3 V DC power to DPOS
	5	GND	-	-	Ground
	6	ORGSWN	I	0/3.3 V DC	DPOS: On/Off
	7	PILED	O	3.3 V DC	3.3 V DC power to DPTS
	8	GND	-	-	Ground
	9	TIMSWN	I	0/3.3 V DC	DPTS: On/Off
YC3 Connected to DP paper feed motor	1	DPMOT1A	O	0/24 V DC (pulse)	DPPFM drive control signal
	2	DPMOT2A	O	0/24 V DC (pulse)	DPPFM drive control signal
	3	DPMOT1B	O	0/24 V DC (pulse)	DPPFM drive control signal
	4	DPMOT2B	O	0/24 V DC (pulse)	DPPFM drive control signal
YC4 Connected to DP pressure solenoid	1	+24V6	O	24 V DC	24 V DC power to DPPRSOL
	2	PRESOLN	O	0/24 V DC	DPPRSOL: ON (Press)/Off
	3	RELSOLN	O	0/24 V DC	DPPRSOL: On (Release)/Off
YC5 Connected to DP switch-back solenoid	1	+24V6	O	24 V DC	24 V DC power to DPSBSOL
	2	REVSOL	O	0/24 V DC	DPSBSOL: On/Off
YC6 Connected to DP paper feed clutch	1	+24V6	O	24 V DC	24 V DC power to DPPFCL
	2	FEEDCL	O	0/24 V DC	DPPFCL: On/Off

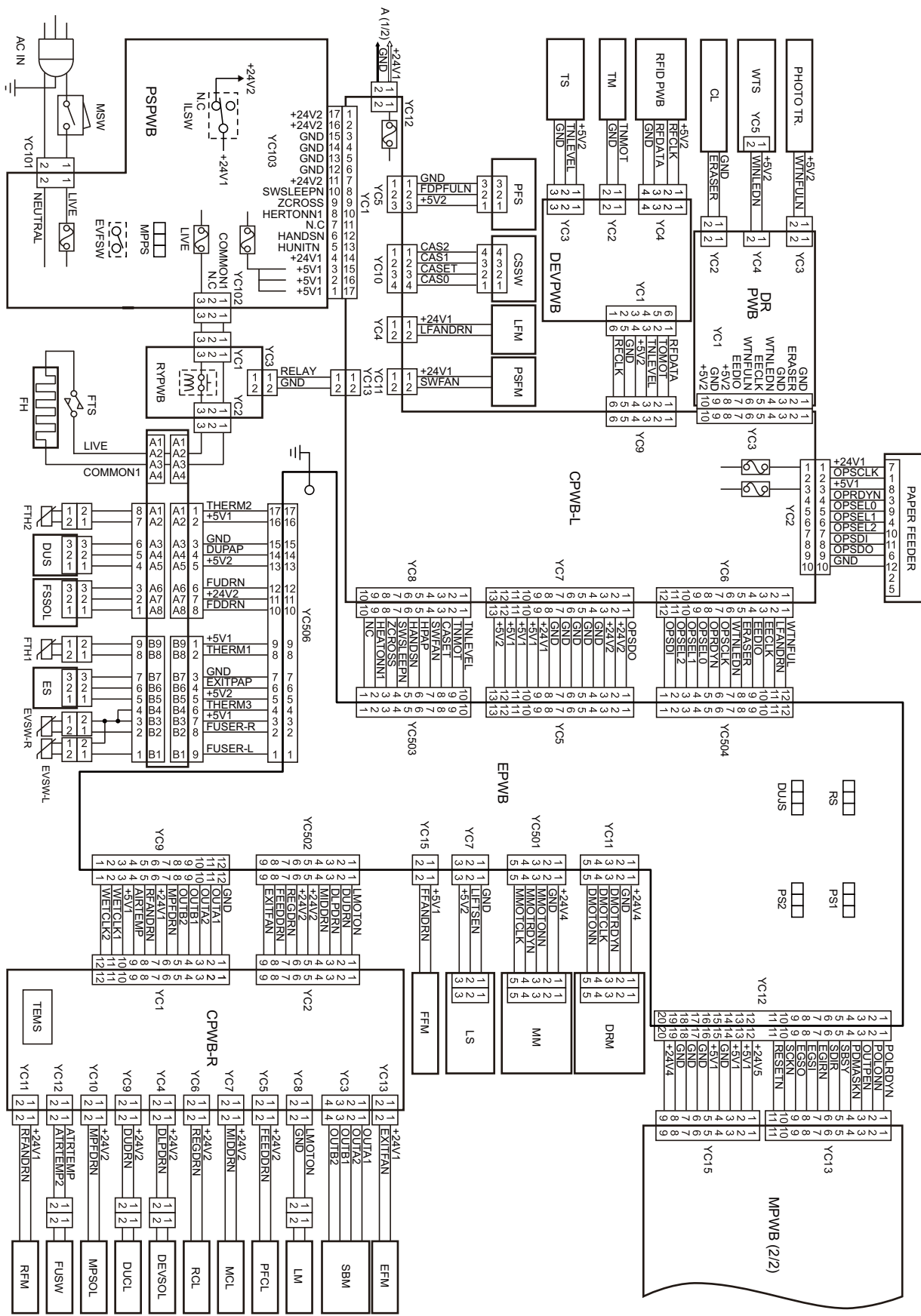
Connector	Pin	Signal	I/O	Voltage	Description
YC8	1	+3.3V	I	3.3 V DC	3.3 V DC power from MPWB
Connected to main PWB	2	GND	-	-	Ground
	3	TIMSWN	O	0/3.3 V DC	DPTS: On/Off
	4	ORGSWN	O	0/3.3 V DC	DPOS: On/Off
	5	OPSWN	O	0/3.3 V DC	DPOCS: On/Off
	6	DPDETN	O	0/3.3 V DC	DP set signal
	7	RELSOLN	I	0/24 V DC	DPPRSOL: On (Release)/Off
	8	PRESOLN	I	0/24 V DC	DPPRSOL: ON (Press)/Off
	9	REVSOL	I	0/24 V DC	DPSBSOL: On/Off
	10	FEEDCL	I	0/24 V DC	DPPFCL: On/Off

This page is intentionally left blank.

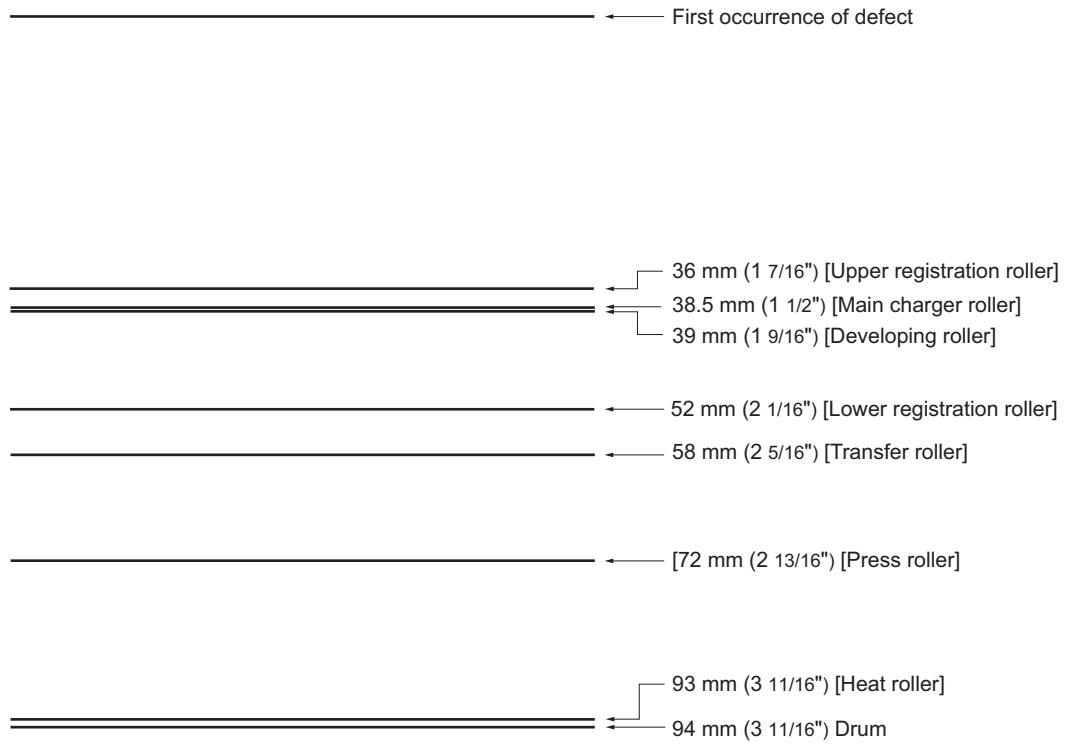
2-4-1 Appendixes

(1) Wiring diagram





(2) Repetitive defects gauge



(3) Maintenance kits

Maintenance part name		Parts No.	Alternative part No.
Name used in service	Name used in parts list		
Maintenance kit (300,000 pages)	MK-350 B/MAINTENANCE KIT (OPTION)	1702LX7US0 1702LX8AS0 1702LX8NL0	072LX7US 072LX8AS 072LX8NL
Drum unit	DK-320	-	-
Developing unit	DV-350(E) B	-	-
	DV-352(U) B	-	-
	DV-354(AO) B	-	-
Fuser unit	FK-350(E)	-	-
	FK-350(U)	-	-
Retard roller assembly	RETARD ROLLER ASSY	-	-
Paper feed assembly	FEED HOLDER ASSY	-	-
Separation brush unit	DC BRUSH ASSY	-	-
Transfer roller	ROLLER TRANSFER ASSY	-	-
Maintenance kit (150,000 pages)	MK-370/MAINTENANCE KIT (OPTION)	1702LX0UN0	072LX0UN
DP forwarding pulley assembly	-	-	-
DP separation pad assembly	-	-	-

(4) Firmware Environment Commands

The printer maintains a number of printing parameters in its memory. These parameters may be changed permanently with the FRPO (Firmware RePrOgram) commands.

This section provides information on how to use the FRPO command and its parameters using examples.

Using FRPO Commands for Reprogramming Firmware

The current settings of the FRPO parameters are listed as optional values on the service status page.

Note: Before changing any FRPO parameter, print out a service status page, so you will know the parameter values before the changes are made. To return FRPO parameters to their factory default values, send the FRPO INIT (FRPO-INITialize) command.(!R! FRPO INIT; EXIT;)

The FRPO command is sent to the printer in the following sequence:

!R! FRPO parameter, value; EXIT;

Example: Changing emulation mode to PC-PR201/65A

!R! FRPO P1, 11; EXIT;

FRPO Parameters

Environment	Parameter	Values	Factory setting
Top margin	A1	Integer value in inches	0
	A2	Fraction value in 1/100 inches	0
Left margin	A3	Integer value in inches	0
	A4	Fraction value in 1/100 inches	0
Page length	A5	Integer value in inches	16
	A6	Fraction value in 1/100 inches	61
Page width	A7	Integer value in inches	16
	A8	Fraction value in 1/100 inches	61
Default pattern resolution	B8	0: 300 dpi 1: 600 dpi	0
Page orientation	C1	0: Portrait 1: Landscape	0
Default font No. *	C2	Middle two digits of power-up font	0
	C3	Last two digits of power-up font	0
	C5	First two digits of power-up font	0
Print density	D4	Number from 1 (Light) to 5 (Dark)	3
Total host buffer size	H8	0 to 99 in units of the size defined by FRPO S5	5
Form feed time-out value	H9	Value in units of 5 seconds (0 to 99).	1
Reduce ratio	J0	0: 100 %	0
		5: 70 %	
		6: 81 %	
		7: 86 %	
		8: 94 %	
		9: 98 %	
Offset (horizontal direction)	K0	Integer value in Centimeters (-7 to +7)	0
	K1	Fraction value in 1/100 Centimeters (-99 to +99)	0

Environment	Parameter	Values	Factory setting
Offset (vertical direction)	K2	Integer value in Centimeters (-7 to +7)	0
	K3	Fraction value in 1/100 Centimeters (-99 to +99)	0
KIR mode	N0	0: Off 2: On	2
Duplex binding	N4	0: Off 1: Long edge 2: Short edge	0
Sleep timer time-out time	N5	1 to 240 minutes [0: Off]	15
Ecoprint level	N6	0:Off 2:On	0
Printing resolution	N8	0: 300dpi 1: 600dpi 3: 1200dpi	1
Default emulation mode	P1	0: Line Printer 1: IBM Proprinter X24E 2: Diablo 630 5: Epson LQ-850 6: PCL 6 9: KPDL	6
Carriage-return action *	P2	0: Ignores 0x0d 1: Carriage-return 2: Carriage-return+linefeed	1
Linefeed action *	P3	0: Ignores 0x0d 1: Linefeed 2: Linefeed+carriage-return	1
Automatic emulation sensing (For KPDL3)	P4	0: AES disabled 1: AES enabled	0
Alternative emulation (For KPDL3)	P5	Same as the P1 values except that 9 is ignored.	6
Automatic emulation switching trigger (For KPDL3)	P7	0: Page eject commands 1: None 2: Page eject and Prescribe EXIT 3: Prescribe EXIT 4: Formfeed (^L) 6: Page eject, Prescribe EXIT and formfeed 10: Page eject commands; if AES fails, resolves to KPDL	10
Command recognition character	P9	ASCII code of 33 to 126	82 (R)

Environment	Parameter	Values	Factory setting
Default paper size	R2	0: Size of the default paper cassette (See R4.) 1: Monarch (3-7/8 × 7-1/2 inches) 2: Business (4-1/8 × 9-1/2 inches) 3: International DL (11 × 22 cm) 4: International C5 (16.2 × 22.9 cm) 5: Executive (7-1/4 × 10-1/2 inches) 6: US Letter (8-1/2 × 11 inches) 7: US Legal (8-1/2 × 14 inches) 8: A4 (21.0 × 29.7 cm) 9: JIS B5 (18.2 × 25.7 cm) 13: ISO A5 14: A6 (10.5 × 14.8 cm) 15: JIS B6 (12.8 × 18.2 cm) 16: Commercial #9 (3-7/8 × 8-7/8 inches) 17: Commercial #6 (3-5/8 × 6-1/2 inches) 18: ISO B5 (17.6 × 25 cm) 19: Custom (11.7 × 17.7 inches)f 20: B4→A4 reduces 21: A3→A4 reduces 22: A4→A4 98% reduces 23: Stock form→A4 reduces 31: Hagaki (10 × 14.8 cm)f 32: Ofuku-Hagaki (14.8 × 20 cm)f 33: Officio II 40: 16K 50: Statement 51: Folio 52: Youkei 2 53: Youkei 4	0
Default cassette	R4	0: Multi-purpose tray 1 1: Cassette 1 2: Cassette 2 3: Cassette 3 4: Cassette 4	1
MP tray paper size	R7	Same as the R2 values except: 0	8 (A4)
A4/letter equation	S4	0:Off 1:On	0
Host buffer size	S5	0: 10kB (x H8) 1: 100kB (x H8) 2: 1024kB (x H8)	1
Wide A4	T6	0:Off 1:On	0
Line spacing *	U0	Lines per inch (integer value)	6
Line spacing *	U1	Lines per inch (fraction value)	0
Character spacing *	U2	Characters per inch (integer value)	10
Character spacing *	U3	Characters per inch (fraction value)	0

Environment	Parameter	Values	Factory setting
Country code	U6	0: US-ASCII 1: France 2: Germany 3: UK 4: Denmark 5: Sweden 6: Italy 7: Spain 8: Japan 9: US Legal 10: IBM PC-850 (Multilingual) 11: IBM PC-860 (Portuguese) 12: IBM PC-863 (Canadian French) 13: IBM PC-865 (Norwegian) 14: Norway 15: Denmark 2 16: Spain 2 17: Latin America 21: US ASCII (U7=50 SET) 77: HP Roman-8 (U7=52 SET)	0
Code set at power up in daisywheel emulation	U7	0: Same as the default emulation mode (P1) 1: IBM 6: IBM PC-8 50: US ASCII (U6=21 SET) 52: HP Roman-8 (U6=77 SET)	0
Font pitch for fixed pitch scalable font	U8	Integer value in cpi: 0 – 99	10
	U9	Fraction value in 1/100 cpi: 0 – 99	0
Font height for the default scalable font *	V0	Integer value in 100 points: 0–9	0
	V1	Integer value in points: 0–99	12
	V2	Fraction value in 1/100 points: 0, 25, 50, 75	0
Default scalable font *	V3	Name of typeface of up to 32 characters, enclosed with single or double quotation marks	Courier
Default weight (courier and letter Gothic)	V9	0: Courier = darkness Letter Gothic = darkness 1: Courier = regular letter Gothic = darkness 4: Courier = darkness Letter Gothic = regular 5: Courier = regular letter Gothic = regular	5

Environment	Parameter	Values	Factory setting
Paper type for the MP tray	X0	1: Plain 1 2: Transparency 3: Preprinted 4: Label 5: Bond 6: Recycle 7: Vellum 9: Letterhead 10: Color 11: Prepunched 12: Envelope 13: Cardstock 16: Thick 17: High Quality 21: Custom1 22: Custom2 23: Custom3 24: Custom4 25: Custom5 26: Custom6 27: Custom7 28: Custom8	1
Paper type for paper cassettes 1	X1	1: Plain 3: Preprinted 5: Bond 6: Recycled 9: Letterhead 10: Color 11: Prepunched 17: High Quality 21: Custom1 22: Custom2 23: Custom3 24: Custom4 25: Custom5 26: Custom6 27: Custom7 28: Custom8	1

Environment	Parameter	Values	Factory setting
Paper type for paper cassettes 2 to 4	X2	1: Plain	1
	X3	3: Preprinted	
	X4	5: Bond	
		6: Recycled	
		9: Letterhead	
		10: Color	
		11: Prepunched	
		17: High Quality	
		21: Custom1	
		22: Custom2	
		23: Custom3	
		24: Custom4	
		25: Custom5	
		26: Custom6	
	27: Custom7		
	28: Custom8		
PCL paper source	X9	0: Performs paper selection depending on media type. 1: Performs paper selection depending on paper sources.	0
Automatic continue for 'Press GO'	Y0	0:Off 1:On	0
Automatic continue timer	Y1	number from 0 to 99 in increments of 5 seconds	6 (30seconds)
Error message for device error	Y3	0:Not Detect 1:Detect	0
Duplex operation for specified paper type (Prepunched, Preprinted and Letterhead)	Y4	0:Off 1:On	0
Default operation for PDF direct printing	Y5	0: Enlarges or reduces the image to fit in the current paper size. Loads paper from the current paper cassette. 1: Through the image. Loads paper which is the same size as the image. 2: Enlarges or reduces the image to fit in the current paper size. Loads Letter, A4 size paper depending on the image size. 3: Through the image. Loads Letter, A4 size paper depending on the image size. 8: Through the image. Loads paper from the current paper cassette. 9: Through the image. Loads Letter, A4 size paper depending on the image size. 10: Enlarges or reduces the image to fit in the current paper size. Loads Letter, A4 size paper depending on the imagesize.	0

*. Ignored in some emulation modes.

(5) Maintenance Commands

This section provides information on how to use the maintenance command and its parameters using examples.

Adjusting the print start timing (alternative command for the maintenance mode U034)

Description

Adjusts the leading edge registration or left edge.

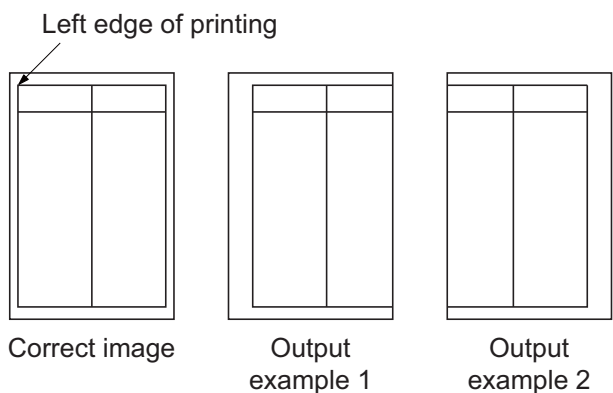
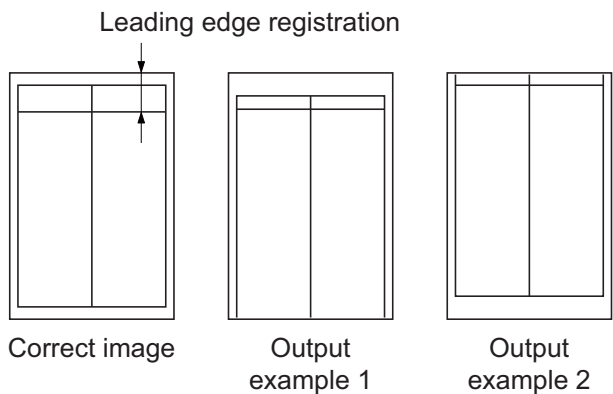
Purpose

Make the adjustment if there is a regular error between the leading edges of the copy image and original.
 Make the adjustment if there is a regular error between the left edges of the copy image and original.

Format	!R! KCFG"PFRC",#1 ,#2 ,#3;	
Parameter	#1	Paper source number 0: MP tray 2-6 : Cassette2-6 100: Duplex (e.g. landscape images short-edge bind) 200: Rotated duplex (e.g. portrait images long-edge bind)
	#2	Edge to adjust 1: Leading edge 2: Left edge
	#3	Adjustable range (-128 to +127) number of dot in 600dpi

Example: Set the leading edge of MP tray to +30 dots

!R! KCFG "PFRC",0,1,30;EXIT;



Adjusting the scanner magnification (alternative command for the maintenance mode U065)

Description

Adjusts the magnification of the original scanning.

Purpose

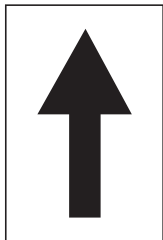
Make the adjustment if the magnification in the main scanning direction is incorrect.

Make the adjustment if the magnification in the auxiliary scanning direction is incorrect.

Format	!R! KCFG "SCAN",8, #1,#2;EXIT;	
Parameter	#1	1: Y SCAN ZOOM Scanner magnification in the main scanning direction 2: X SCAN ZOOM Scanner magnification in the auxiliary scanning direction
	#2	#1=1: Adjustable range: -32 to 127 (in 0.1% increment) (0: default) #2=2 : Adjustable range: -25 to 25 (in 0.1% increment) (0: default)

Example: Y SCAN ZOOM set to 55, X SCAN ZOOM set to 10

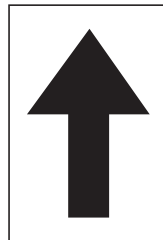
!R! KCFG "SCAN",8,1,55; KCFG "SCAN",8,2,10;EXIT;



Original

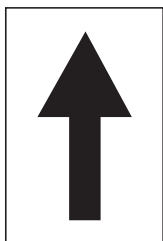


Copy example 1

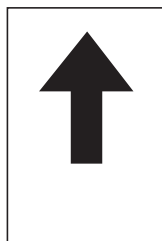


Copy example 2

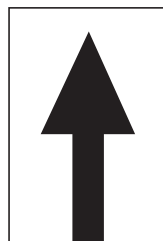
Magnified in the main scanning direction



Original



Copy example 1



Copy example 2

Magnified in the auxiliary scanning direction

Adjusting the scanner leading edge registration (alternative command for the maintenance U066)

Description

Adjusts the scanner leading edge registration of the original scanning.

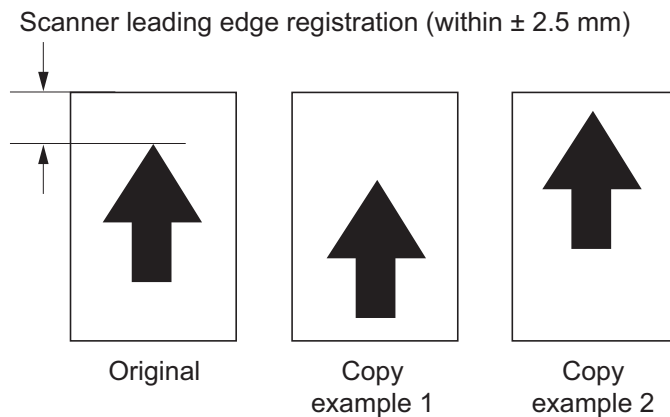
Purpose

Make the adjustment if there is a regular error between the leading edges of the copy image and original.

Format	!R! KCFG "SCAN",5,#1,#2;EXIT;	
Parameter	#1	1: Scanner leading edge registration 2: Scanner leading edge registration of rotated scan
	#2	Adjustable range: -45 to 45 (in 0.086mm increment) (0: default)

Example: Scanner leading edge registration set to 10 to increase 0.86mm

!R! KCFG "SCAN",5,1,"10";EXIT;



Adjusting the scanner center line (alternative command for the maintenance mode U067)

Description

Adjusts the scanner center line of the original scanning.

Purpose

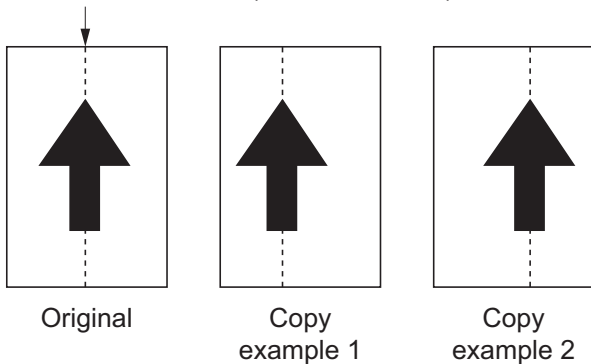
Make the adjustment if there is a regular error between the center lines of the copy image and original.

Format	!R! KCFG "SCAN",6, #1;#2;EXIT;	
Parameter	#1	1: Scanner center line 2: Scanner center line of rotated scan
	#2	#1=1: Adjustable range: -70 to 70 (in 0.086mm increment) (0: default) #1=2: Adjustable range: -40 to 40 (in 0.086mm increment) (0: default)

Example: Scanner leading edge registration set to 20 to increase 1.72mm

!R! KCFG "SCAN",6,1,20;EXIT;

Scanner center line (within ± 2.0 mm)



Adjusting the scanning position for originals from the DP (alternative command for the maintenance mode U068)

Description

Adjusts the position for scanning originals from the DP. Performs the test copy at the four scanning positions after adjusting.

Purpose

Used when the image fogging occurs because the scanning position is not proper when the DP is used. Execute KCFG "EESS",4, 107, 1, "#1"; command to adjust the timing of DP leading edge when the scanning position is changed.

Format	!R! KCFG "SCAN",9, #1,#2;EXIT;	
Parameter	#1	1: DP READ Starting position adjustment for scanning originals 2: BLACK LINE Scanning position for the test copy originals
	#2	#1=1: Adjustable range: -33 to 33 (in 0.086mm increment) (0: default) #1=2: Adjustable range: 0 to 3 (in 0.22mm increment) (0: default)

Example: DP READ set to 15, BLACK LINE set to 3

!R! KCFG "SCAN",9,1,15; KCFG "SCAN",9,2,3;EXIT;

Adjusting the DP magnification (alternative command for the maintenance mode U070)

Description

Adjusts the DP original scanning speed.

Purpose

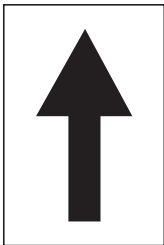
Make the adjustment if the magnification is incorrect in the auxiliary scanning direction when the DP is used.

Format	!R! KCFG "SCAN",4, #1;#2;EXIT;	
Parameter	#1	2: CONVEYING SPEED Magnification in the auxiliary scanning direction
	#2	Adjustable range: --25 to 25 (in 0.1% increment) (0: default)

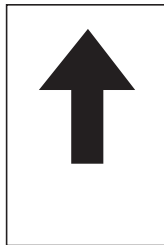
Example: DP scanning magnification set to 20 to increase 2%

!R! KCFG "SCAN",4,2,20;EXIT;

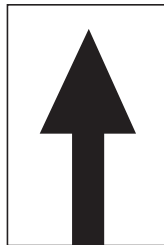
Leading edge registration



Original



Copy
example 1



Copy
example 2

Adjusting the DP scanning timing (alternative command for the maintenance mode U071)

Description

Adjusts the DP original scanning timing.

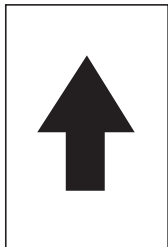
Purpose

Make the adjustment if there is a regular error between the leading or trailing edges of the original and the copy image when the DP is used.

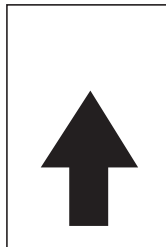
Format	!R! KCFG "SCAN",2,#1,#2;EXIT;	
Parameter	#1	1: FRONT HEAD Leading edge registration (first page) 2: FRONT TAIL Trailing edge registration (first page) 3: BACK HEAD Leading edge registration (second page) 4: BACK TAIL Trailing edge registration (second page) 5: ROTATE Leading edge registration (rotate scan)
	#2	#1=1: Adjustable range: -32 to 32 (in 0.196mm increment) (0: default) #1=2: Adjustable range: -32 to 32 (in 0.196mm increment) (0: default) #1=3: Adjustable range: -45 to 45 (in 0.196mm increment) (0: default) #1=4: Adjustable range: -45 to 45 (in 0.196mm increment) (0: default) #1=5: Adjustable range: -128 to 128 (in 0.196mm increment) (0: default)

Example: FRONT HEAD set to 10, FRONT TAIL set to 15, BACK HEAD set to 10, BACK TAIL 15
!R! KCFG "SCAN",2,1,10; KCFG "SCAN",2,2,15; KCFG "SCAN",2,3,10; KCFG "SCAN",2,4,15;EXIT;

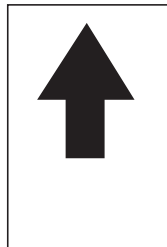
Leading edge registration



Original

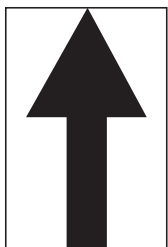


Copy example 1

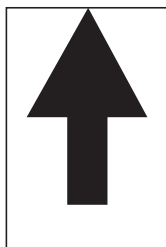


Copy example 2

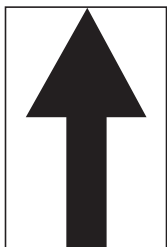
Trailing edge registration



Original



Copy example 1



Copy example 2

Adjusting the DP center line (alternative command for the maintenance mode U072)

Description

Adjusts the scanning center line for the DP original.

Purpose

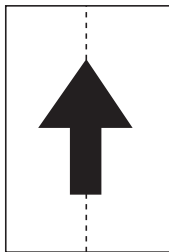
Make the adjustment if there is a regular error between the centers of the original and the copy image when the DP is used.

Format	!R! KCFG "SCAN",3, #1,#2;EXIT;	
Parameter	#1	1: FRONT Center line (first page) 2: BACK Center line (second page) 3: ROTATE Center line (rotated scan)
	#2	Setting range: -39 to 39 (in 0.086mm increment) (initial: 0)

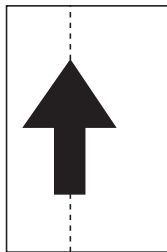
Example: FRONT set to 15, BACK set to 3

!R! KCFG "SCAN",3,1,15; KCFG "SCAN",3,2,3;EXIT;

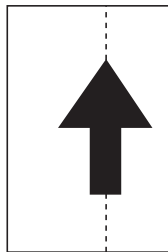
DP center line



Original



Copy
example 1



Copy
example 2

KYOCERA MITA EUROPE B.V.

Bloemlaan 4, 2132 NP Hoofddorp,
The Netherlands
Phone: +31.20.654.0000
Home page: <http://www.kyoceramita-europe.com>
Email: info@kyoceramita-europe.com

KYOCERA MITA NEDERLAND B.V.
Beechavenue 25, 1119RA Schiphol-Rijk
The Netherlands
Phone: +31.20.58.77.200

KYOCERA MITA (UK) LTD
8 Beacontree Plaza
Gillette Way Reading Berks RG2 0BS,
U.K.
Phone: +44.1189.311.500

KYOCERA MITA ITALIA S.p.A.
Via G. Verdi, 89 / 91, 20063 Cernusco s/N
Milano, Italy
Phone: +39.02.92179.1

S.A. KYOCERA MITA BELGIUM N.V.
Sint-Martinusweg 199-201, 1930 Zaventem,
Belgium
Phone: +32.2.720.9270

KYOCERA MITA FRANCE S.A.
Espace Technologique de St Aubin
Route de l' Orme
91195 Gif-sur-Yvette CEDEX, France
Phone: +33.1.6985.2600

KYOCERA MITA ESPAÑA S.A.
Edificio Kyocera, Avda de Manacor No. 2,
28290 Las Matas (Madrid),
Spain
Phone: +34.91.631.8392

KYOCERA MITA FINLAND OY
Atomitie 5C, 00370 Helsinki,
Finland
Phone: +358.9.4780.5200

KYOCERA MITA (SCHWEIZ)
Hohlstrasse 614, 8048 Zürich
Switzerland
Phone: +41.44.908.4949

KYOCERA MITA DEUTSCHLAND GMBH
Otto-Hahn-Str. 12 D-40670 Meerbusch,
Germany
Phone: +49.2159.918.0

KYOCERA MITA GMBH AUSTRIA
Eduard-Kittenberger-Gasse 95,
1230 Wien,
Austria
Phone: +43.1.86338

KYOCERA MITA SVENSKA AB
Esbogatan 16B 164 75 Kista,
Sweden
Phone: +46.8.546.55000

KYOCERA MITA NORGE
Postboks 150 Oppsal, NO 0619 Oslo
Olaf Helsetsvai 6, NO 0694 Oslo,
Norway
Phone: +47.22.62.73.00

KYOCERA MITA DANMARK A/S
Ejby Industrivej 60, DK-2600 Glostrup,
Denmark
Phone: +45.7022.3880

KYOCERA MITA PORTUGAL LDA.
Rua do Centro Cultural, 41 (Alvalade) 1700-106 Lisboa,
Portugal
Phone: +351.21.843.6780

KYOCERA MITA SOUTH AFRICA (PTY) LTD.
49 Kyalami Boulevard,
Kyalami Business Park Midrand,
South Africa
Phone: +27.(0)11.540.2600

KYOCERA MITA AMERICA, INC.

Headquarters:
225 Sand Road,
Fairfield, New Jersey 07004-0008,
U.S.A.
Phone: (973) 808-8444

KYOCERA MITA AUSTRALIA PTY. LTD.
Level 3, 6-10 Talavera Road, North Ryde,
N.S.W. 2113 Australia
Phone: (02) 9888-9999

KYOCERA MITA NEW ZEALAND LTD.
1-3 Parkhead Place, Albany
P.O. Box 302 125 NHPC, Auckland,
New Zealand
Phone: (09) 415-4517

KYOCERA MITA Asia Limited

16/F., Mita Centre,
552-566, Castle Peak Road,
Tsuen Wan, New Territories, Hong Kong
Phone: (852)-2610-2181

KYOCERA MITA Corporation

2-28, 1-chome, Tamatsukuri, Chuo-ku
Osaka 540-8585, Japan
Phone: (06) 6764-3555
<http://www.kyoceramita.com>

©2011 KYOCERA MITA Corporation

 **KYOCERA** is a trademark of Kyocera Corporation

KYOCERA MITA AMERICA, INC.

Headquarters:

225 Sand Road,
Fairfield, New Jersey 07004-0008
TEL : (973) 808-8444
FAX : (973) 882-6000

New York Branch:

30-30 47th Avenue
Long Island City, NY 11101
TEL : (718) 289-2500
FAX : (718) 289-2501

Northeastern Region:

225 Sand Road,
Fairfield, New Jersey 07004-0008
TEL : (973) 808-8444
FAX : (973) 882-4401

Midwestern Region:

201 Hansen Court Suite 119
Wood Dale, Illinois 60191
TEL : (630) 238-9982
FAX : (630) 238-9487

Western Region:

14101 Alton Parkway,
Irvine, California 92618-7006
TEL : (949) 457-9000
FAX : (949) 457-9119

Southeastern Region:

3100 Breckinridge Blvd. NW Building 100,
Suite 105 Duluth, Georgia 30096
TEL : (770) 729-9786
FAX : (770) 729-9873

Southwestern Region:

2825 West Story Road,
Irving, Texas 75038-5299
TEL : (972) 550-8987
FAX : (972) 570-4704

National Operation Center & National Training Center:

2825 West Story Road,
Irving, Texas 75038-5299
TEL : (972) 659-0055
FAX : (972) 570-5816

Latin America Division:

8240 N.W. 52nd. Terrace Dawson Building,
Suite 108 Miami, Florida 33166
TEL : (305) 421-6640
FAX : (305) 421-6666

KYOCERA MITA CANADA, LTD.

6120 Kestrel Road, Mississauga,
Ontario L5T 1S8, Canada
TEL : (905) 670-4425
FAX : (905) 670-8116

KYOCERA MITA MEXICO, S.A. DE C.V.

Av. 16 de Septiembre #407
Col. Santa Inés,
Azcapotzalco México,
D.F. 02130, México
TEL : (55) 5383-2741
FAX : (55) 5383-7804

KYOCERA MITA Brazil Ltda.

Av. Tambore, 1180 Mob.B-09 CEP 06460-000
Tambore-Barveri-SP,
Brazil
TEL : (55) 11-4195-8496
FAX : (55) 11-4195-6167

KYOCERA MITA Asia Limited

16/F., Mita Centre,
552-566, Castle Peak Road,
Tsuen Wan, New Territories, Hong Kong
Phone: (852)-2610-2181

KYOCERA MITA (Thailand) Corp., Ltd.

335 Ratchadapisek Road, Bangsue,
Bangkok, 10800, Thailand
Phone: (66)-2-586-0333

KYOCERA MITA Singapore Pte Ltd.

121 Genting Lane, 3rd Level,
Singapore 349572
Phone: (65)-6741-8733

KYOCERA MITA Hong Kong Limited

16/F., Mita Centre,
552-566, Castle Peak Road,
Tsuen Wan, New Territories,
Hong Kong
Phone: (852)-2429-7422

KYOCERA MITA Taiwan Corporation

6F., No.37, Sec. 3, Minquan E. Rd.,
Zhongshan Dist., Taipei 104, Taiwan R.O.C.
Phone: (886)-2-2507-6709

KYOCERA MITA Korea Co., Ltd.

18F, Kangnam bldg, 1321-1,
Seocho-Dong, Seocho-Gu, Seoul, Korea
Phone: (822)-6933-4050

KYOCERA MITA India Private Limited

First Floor, ORCHID CENTRE
Sector-53, Golf Course Road, Gurgaon 122
002, India
Phone: (91)-0124-4671000

©2011 KYOCERA MITA Corporation

 is a trademark of Kyocera Corporation